



2012

# ERSATZTEILKATALOG SPARE PART CATALOGUE

OASE – PASSIONATE ABOUT WATER.





06

»Waterfall 30/90«  
Wasserfall in modernem  
Edelstahl-Design /  
Waterfall in a modern  
stainless steel design



40

»AquaMax Eco Premium«  
Effiziente Wasserbewegung an mehreren Teich-  
zonen / Efficient water movement in multiple  
pond zones



125

»Bitron Gravity«  
Hocheffizientes UVC-Vorklärgerät  
für Gravitationsfilteranlagen / Highly-efficient  
UVC clarifier for gravity fed filter systems

## WASSERSPIELE & WASSERSPIELPUMPEN / FOUNTAINS & FOUNTAIN PUMPS

### Wasserspiele / Fountains

Waterfall / Waterfall Set .....	06
Edelstahl-Bachlaufschalen / Stainless Steel Watercourses .....	07
Lunaled .....	08
Lunaled Creative Set .....	08
Water Starlet .....	10
Water Trio .....	11
Water Quintet .....	13
Water Quintet Creative .....	15
Water Jet Lightning .....	16
JumpingJet Rainbow Star Set .....	18

### Wasserspielpumpen / Fountain pumps

Aquarius Universal .....	21 – 25
Aquarius Fountain Sets .....	26 – 27
Aquarius Solar .....	30
Atlantis Solar .....	31
PondJet .....	32

## FILTER- & BACHLAUFPUMPEN / FILTER- & WATERCOURSE PUMPS

### Filter- & Bachlaufpumpen / Filter- and watercourse pumps

AquaMax / AquaMax Eco .....	34 – 39
AquaMax Eco Premium / AquaMax Eco CWS ...	40 – 48
AquaMax Eco Premium 12 V .....	49 – 51
AquaMax Dry .....	52
AquaMax Eco Twin / Promax .....	53 – 55
AquaMax Expert .....	56 – 57
AquaMax Gravity Eco .....	58
Ersatzpumpe FP / Spare pump FP .....	59

## FILTER & BELÜFTER / FILTER & AERATORS

### Unterwasserfilter / Underwater filters

Filtral UVC .....	60 – 61
-------------------	---------

### Druckfilter / Pressure filters

BioPress Sets .....	62 – 65
FiltoClear .....	66 – 70

### Durchlauffilter / Flow-through filters

BioSmart / BioSmart Sets .....	71 – 76
FiltoMatic CWS .....	77 – 81
BioTec .....	82 – 89
BioTec ScreenMatic .....	90 – 93

### Modulfilter / Module filters

ProfiClear Classic .....	94 – 111
ProfiClear Premium .....	112 – 119

### UVC-Vorklärgeräte / UVC clarifiers

Vitronic .....	120 – 121
Bitron .....	122 – 124
Bitron Gravity .....	125
ProfiClear Screendrive .....	133

### Teichbelüfter / Pond aerators

AquaOxy / AquaOxy CWS .....	126 – 128
OxyTex CWS .....	129
AquaAir .....	130
AirFlo .....	131 – 132

## REINIGEN & PFLEGEN / CLEANING & CARE

### Oberflächenabsauger / Surface skimmers

SwimSkim 25 .....	134
SwimSkim CWS .....	135
AquaSkim 40 .....	136
BioSys Skimmer .....	137

# 112

»ProfiClear Premium«

Anspruchsvolles Filtersystem  
für Koiteiche / *Sophisticated filter system  
for koi ponds*

# 161

»LunAqua Terra LED«

Warmes Licht eingesetzt in die Terrasse,  
in den Schwimmteich oder in die Pflasterung /  
*Warm light used in the terrace,  
in the swim pond, or in the paving*

## INHALT / CONTENTS

### REINIGEN & PFLEGEN / CLEANING & CARE

<b>Oberflächenabsauger / Surface skimmers</b>	
BioSys Skimmer + .....	138
ProfiSkim 100 .....	139
Skimmer 250 .....	140
Skimmer .....	141
FiltoSkim 12000 .....	142 – 143
<b>Teich-/Poolsauger / Pond- and pool vacuums</b>	
PondoVac Classic .....	144
PondoVac 3 .....	145
PondoVac 4 .....	146
<b>Nützliche Teichhelfer / Useful Pond helpers</b>	
Profi Fisch- und Teichkescher / <i>Profi Fish and Pond net</i> .....	147
<b>Eisfreihalter / Ice preventer</b>	
IceFree 20 .....	148
<b>Pflegezubehör / Maintenance accessories</b>	
AquaActiv Wasseranalyse Profi-Set / <i>AquaActiv water analysis Profi-Set</i> .....	149

### ILLUMINATION & STROM / ILLUMINATION & POWER

<b>Halogen-Scheinwerfer / Halogen spotlights</b>	
LunAqua Micro Set .....	150
LunAqua 2 / 12V / Sets .....	151 – 152
LunAqua 3 Sets .....	153
LunAqua 5.1 .....	154
ProfiLux 100 E .....	155
LunAqua 10 / LunAqua 35 Set .....	156
UWS K 300 .....	157 – 158
LunAqua 2002 .....	159

### ILLUMINATION & STROM / ILLUMINATION & POWER

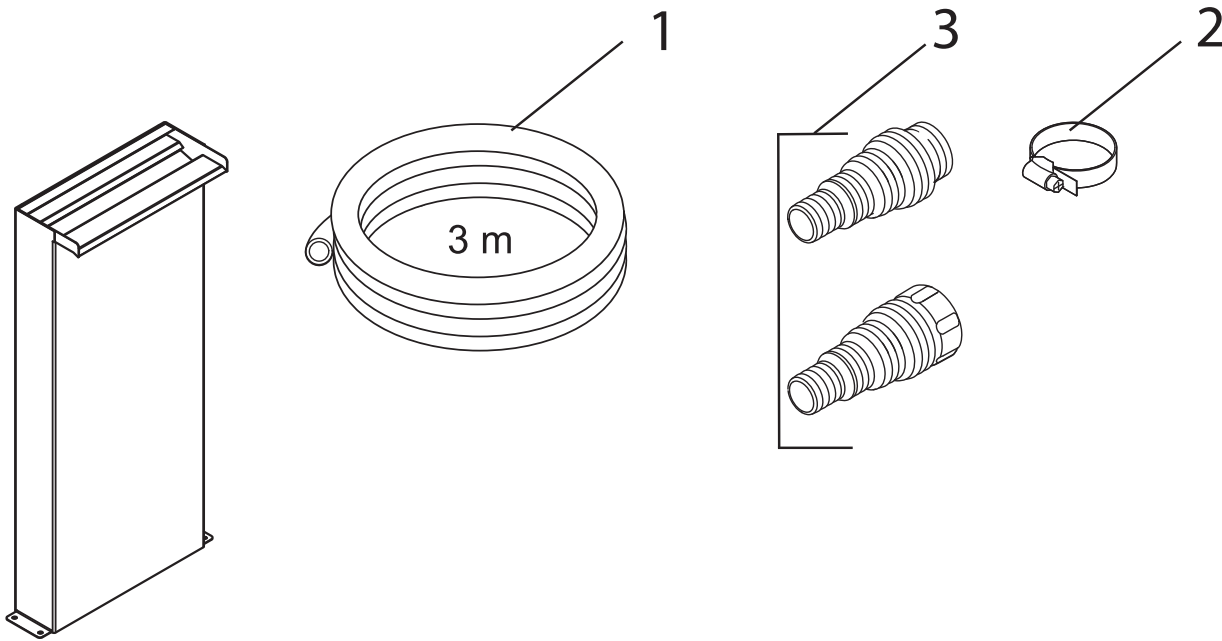
<b>LED-Scheinwerfer / LED spotlights</b>	
LunAqua 10 LED/01 .....	160
LunAqua Terra LED Sets .....	161
LunAqua Classic LED Sets .....	162
LunAqua Mini LED .....	163
Luminis 3 .....	164
LunAqua Maxi LED Solo / Sets .....	165
<b>Strommanagement/ Power management</b>	
InScenio .....	166
<b>Solarkomponenten/ Solar components</b>	
SolarSafe 17 / 41 .....	167
LunAqua Solar .....	168

### WISSENSWERTES / WORTH KNOWING

Reparatur von elektrischen Geräten / <i>Repair of electrical devices</i> .....	170 – 171
OASE Garantie / <i>OASE Guarantee</i> .....	172 – 173
Allgemeine Geschäftsbedingungen / <i>General terms and conditions</i> .....	174 – 175
Alphabetische Produktübersicht / <i>Alphabetical product overview</i> .....	176 – 178
Produktübersicht nach Artikelnr. / <i>Product overview by item no.</i> .....	179 – 181
Notizen / <i>Notes</i> .....	182

Produkt / Product

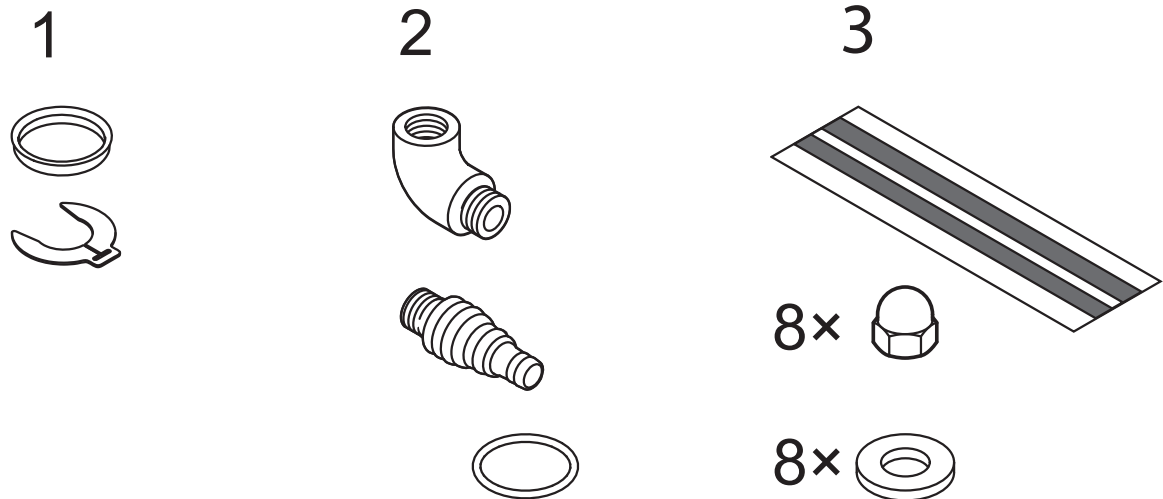
- 50704 Waterfall 30
- 50585 Waterfall 60
- 50706 Waterfall 90
- 50584 Waterfall Set 30



Pos.	Produkt / Product	Artikelnr. / Item no.	Ersatzteil	Spare part
1	Waterfall Set 30	10714	Ablaufschlauch 3/4" Zuschnitt 3 m	Hose cut 3/4" x 3 m
2	Waterfall 60	11818	Schlauchselle 20 - 32 mm	Hose clamp 20 - 32 mm
	Waterfall Set 30	11818	Schlauchselle 20 - 32 mm	Hose clamp 20 - 32 mm
3	Waterfall 30	15737	Ersatzteil-Set Waterfall	Spare part set Waterfall
	Waterfall 60	15737	Ersatzteil-Set Waterfall	Spare part set Waterfall
	Waterfall 90	16757	Ersatzteil-Set Waterfall 90	Spare part set Waterfall 90
	Waterfall Set 30	15737	Ersatzteil-Set Waterfall	Spare part set Waterfall

Produkt / Product

- 50800 Edelstahl-Bachlaufschale Start/End
- 50781 Edelstahl-Bachlaufschale Gerade
- 50809 Edelstahl-Bachlaufschale Leuchtelement
- 50798 Edelstahl-Bachlaufschale 90° Ecke
- 50801 Edelstahl-Bachlaufschale Verbindung

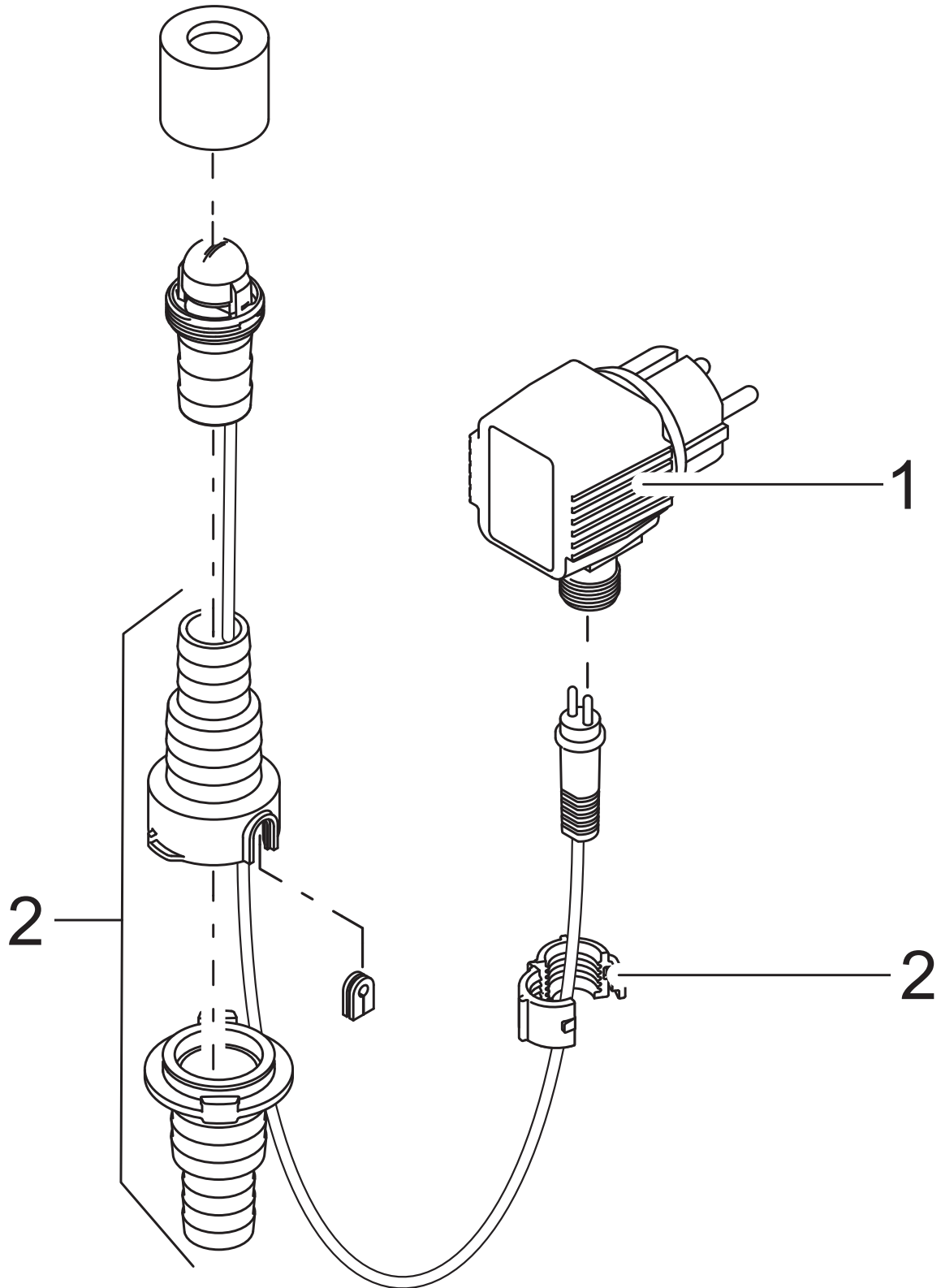


Pos.	Produkt / Product	Artikelnr. / Item no.	Ersatzteil	Spare part
1	Edelstahl-Bachlaufschalen	18306	Beipack Edelstahl-Bachl. Leuchtelement	Additional pack watercourse illumination
2	Edelstahl-Bachlaufschalen	18311	Beipack Edelstahl-Bachl. Start/End	Additional pack watercourse start/end
3	Edelstahl-Bachlaufschalen	18671	Ersatzteil-Set Verbindungselement	Spare part set connection element

Produkt / Product

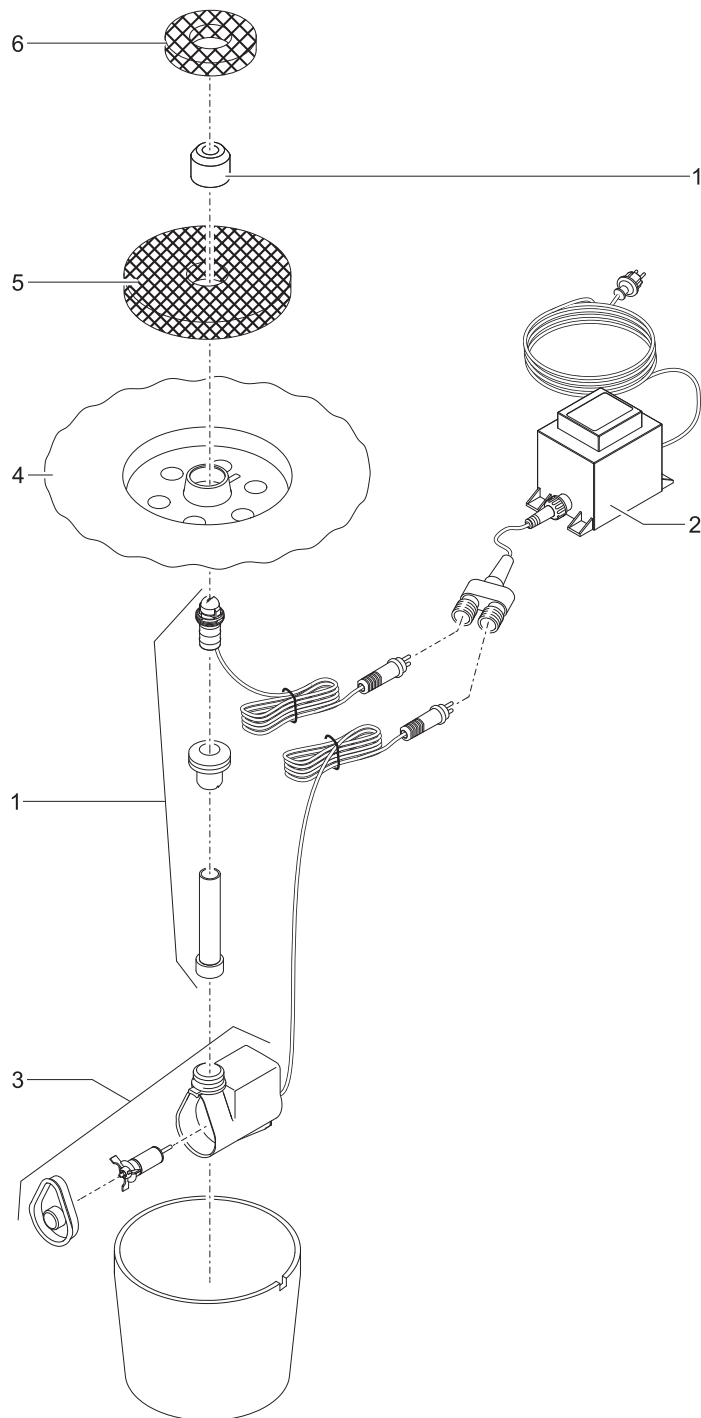
50114 LunaLed 6s

50115 LunaLed 9s



Pos.	Produkt / Product	Artikelnr. / Item no.	Ersatzteil	Spare part
1	LunaLed 6s - 9s	11252	Trafo DE-02-12DW 35/9 R	Transformer DE-02-12DW 35/9 R
2	LunaLed 6s - 9s	11908	BG Kabelaustritt LunaLed	ASM cable outlet LunaLed

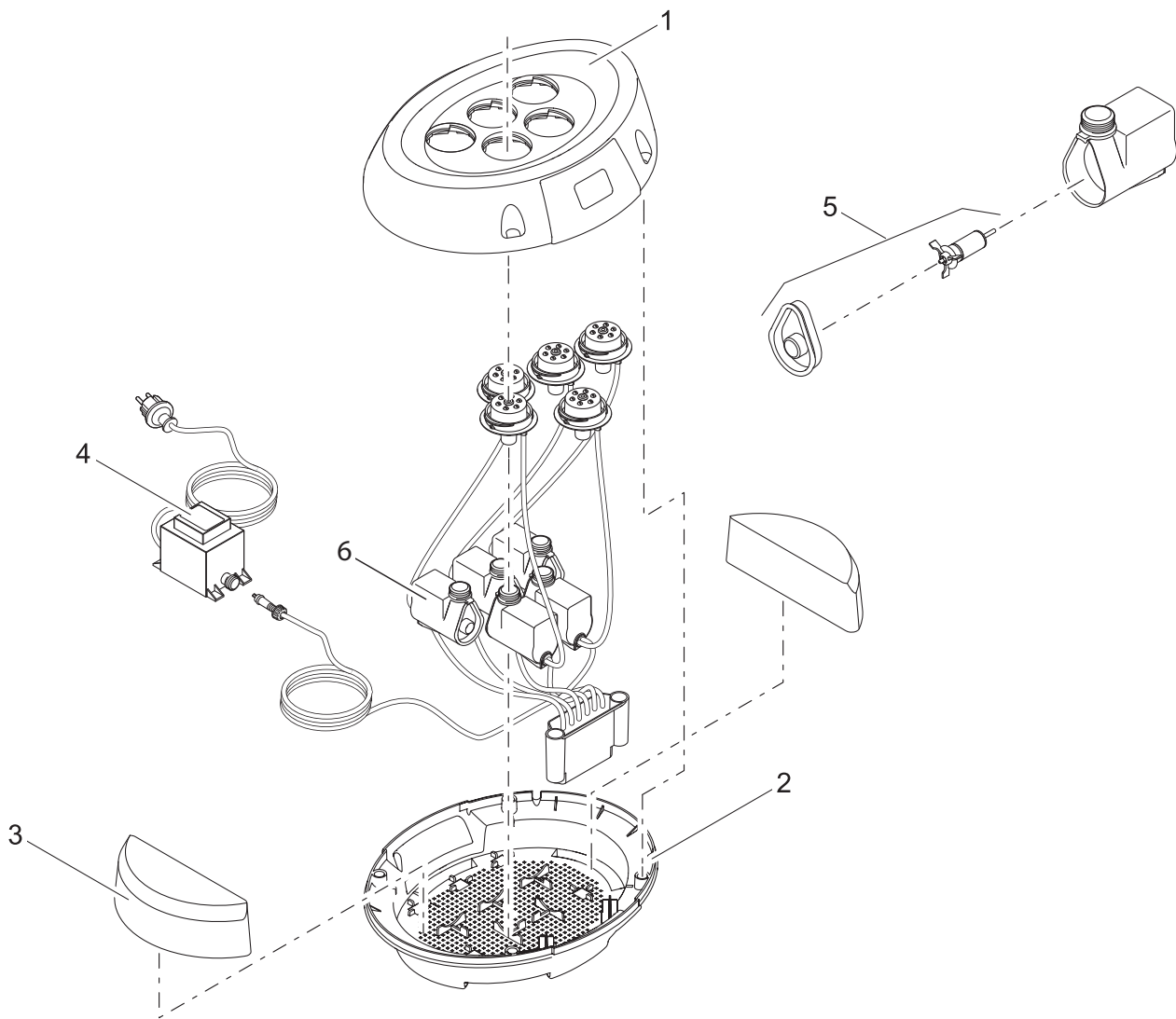
Produkt / Product  
50407 LunaLed Creative Set



Pos.	Produkt / Product	Artikelnr. / Item no.	Ersatzteil	Spare part
1	LunaLed Creative Set	13540	BG LunaLed 9s Set	ASM LunaLed 9s set
2	LunaLed Creative Set	13534	Trafo 10 VA - 12 W	Transformer 10 VA - 12 W
3	LunaLed Creative Set	13538	BG Pumpe LunaLed Creativ Set	ASM pump LunaLed Creativ Set
4	LunaLed Creative Set	13425	Abdeckung LunaLed Creativ Set	Cover LunaLed Creativ Set
5	LunaLed Creative Set	13532	Schaum LunaLed Creativ Set	Foam LunaLed Creativ Set
6	LunaLed Creative Set	14142	Spritzschutzmanschette LunaLed Creativ	Splash guard collar LunaLed Creativ Set

Produkt / Product

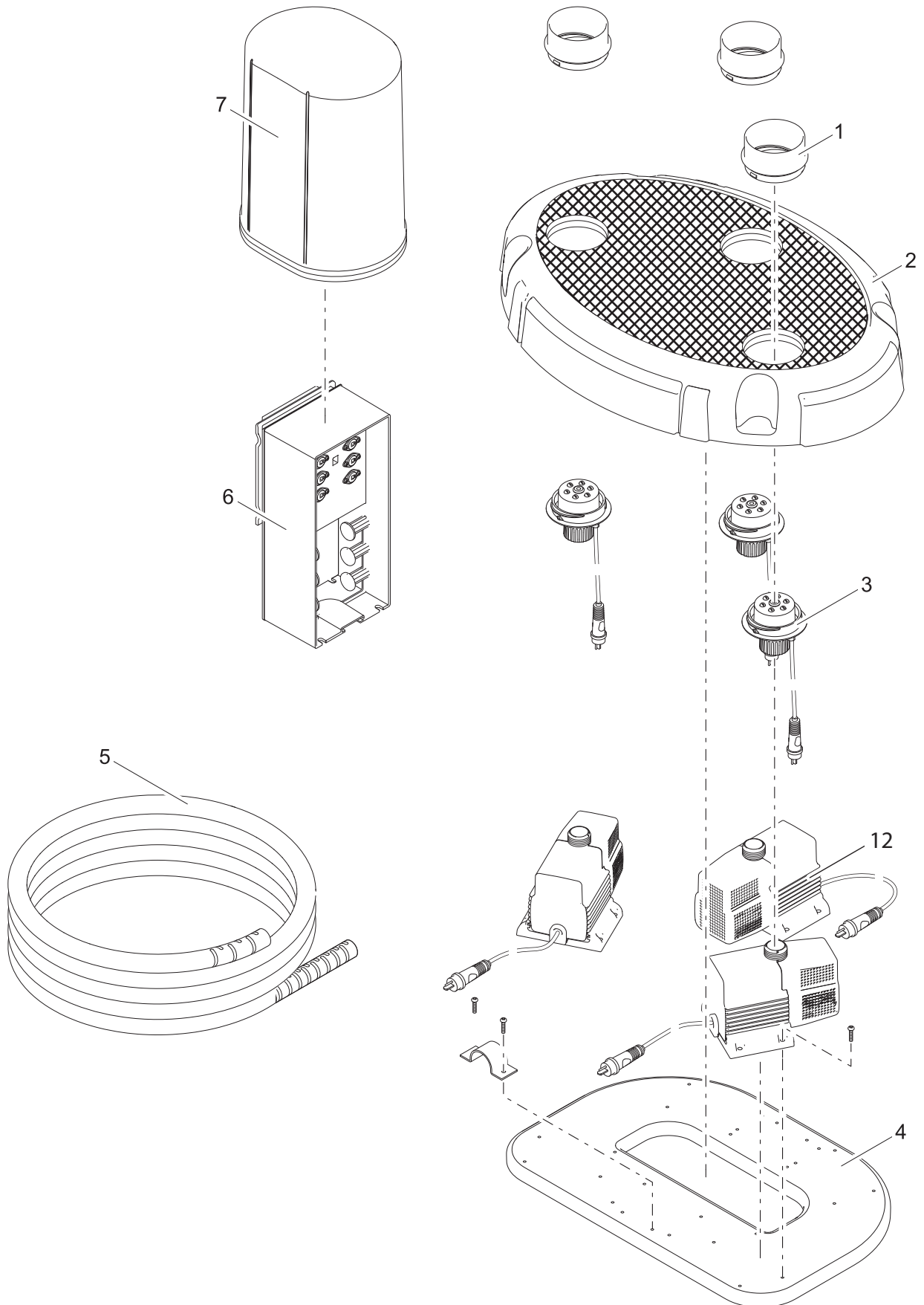
50214 Water Starlet

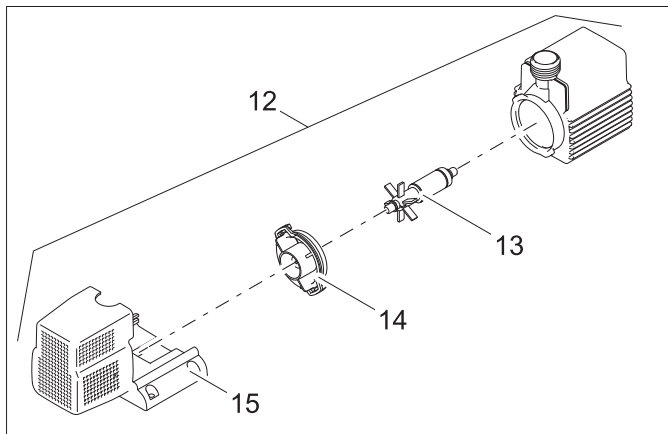
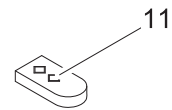
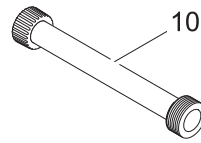
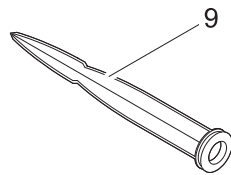
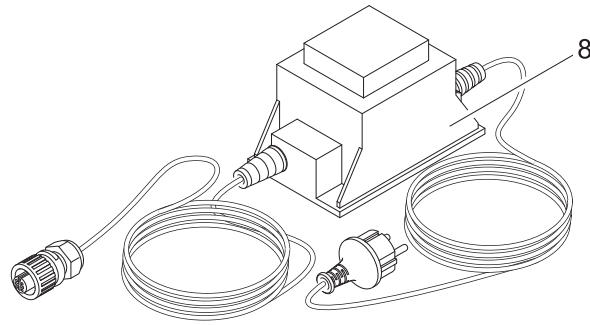


Pos.	Produkt / Product	Artikelnr. / Item no.	Ersatzteil	Spare part
1	Water Starlet	11834	Ersatz Gehäuse-OT Water Starlet m. Embl.	Spare housing Water Starlet incl sticker
2	Water Starlet	11835	Gehäuse Unterteil Water Starlet	Housing bottom part Water Starlet
3	Water Starlet	12293	Schwimmkörper Water Starlet	Float Water Starlet
4	Water Starlet	12126	Trafo DE-45-12W 1 Ausgang	Transformer DE-45-12W with 1 outlet
5	Water Starlet	12346	BG Ersatzrotor Water Starlet kpl.	ASM spare part rotor Water Starlet cpl.
6	Water Starlet	12347	BG LED Pumpe Reparaturset Water Starlet	ASM LED pump repair kit Water Starlet



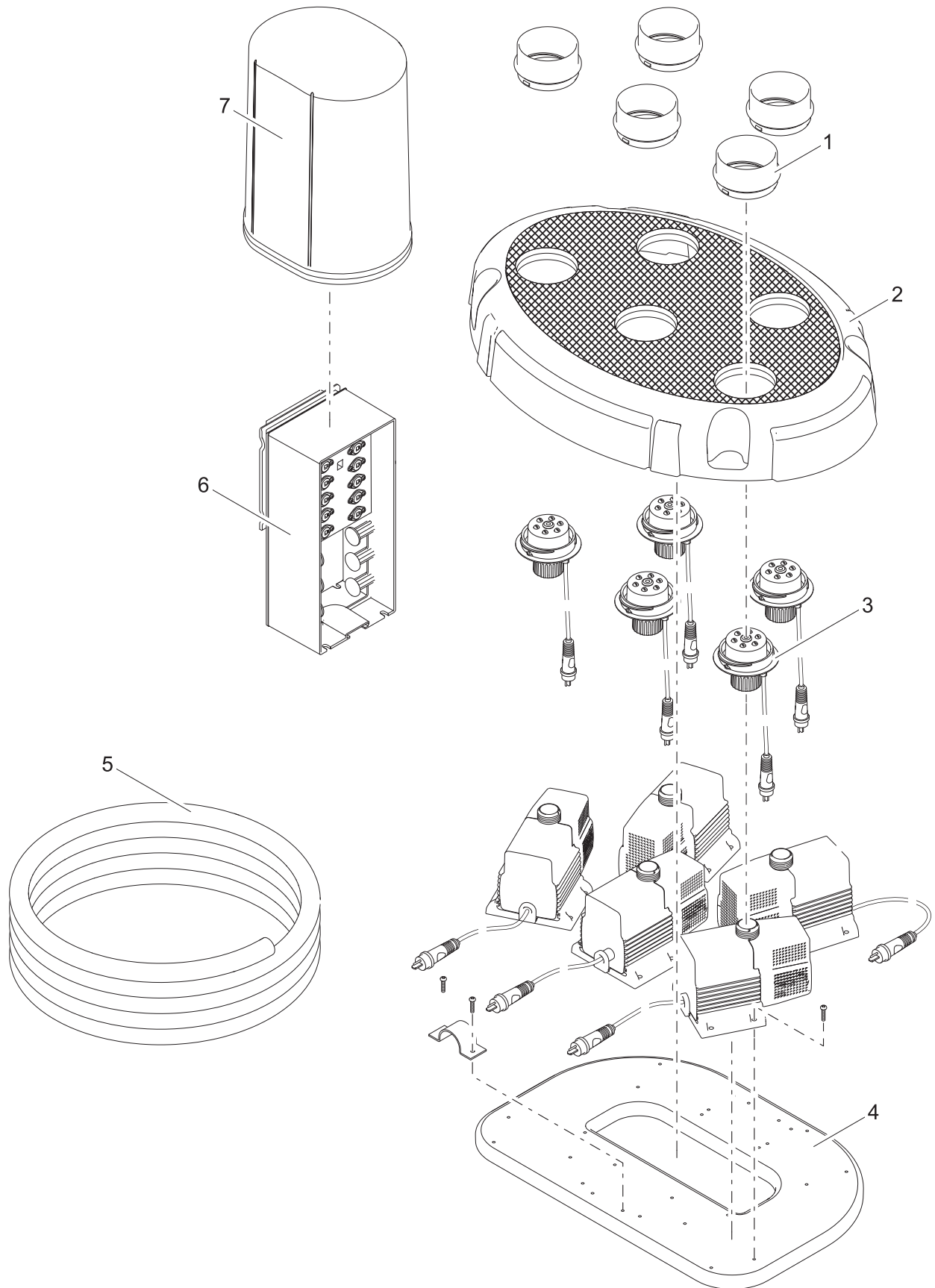
Produkt / Product  
50240 Water Trio

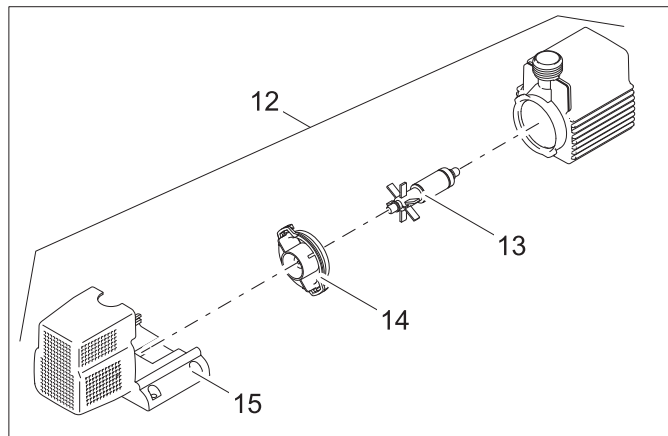
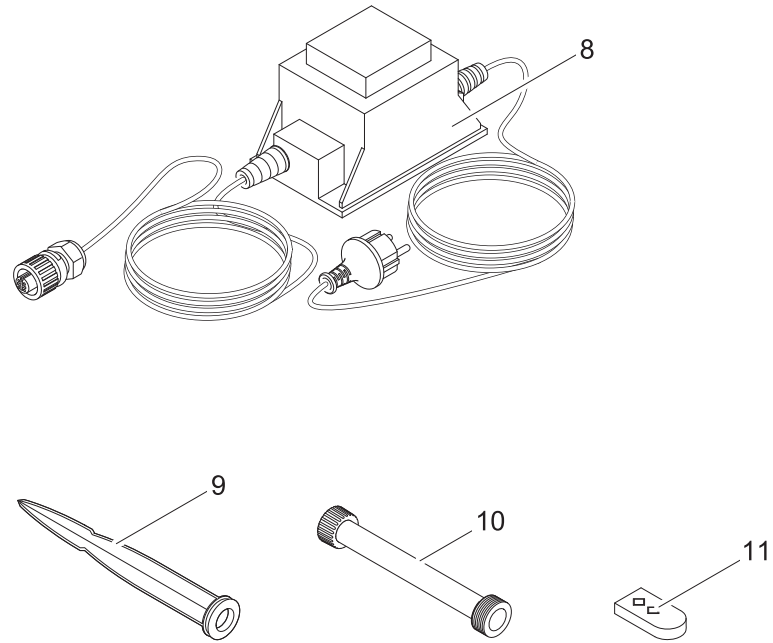




Pos.	Produkt / Product	Artikelnr. / Item no.	Ersatzteil	Spare part
1	Water Trio	11878	Düsen Schutz	Nozzle protector
2	Water Trio	11999	BG Abdeckung Water Trio	ASM top cover Water Trio
3	Water Trio	11943	BG LED Düse Water Trio / Quintet	ASM LED nozzle Water Trio / Quintet
4	Water Trio	11884	Grundplatte Water Trio / Quintet	Base plate Water Trio / Quintet
5	Water Trio	12476	BG Kabelschutz Water Trio	ASM cable protection Water Trio
6	Water Trio	12477	BG Steuerung Trio programmiert	ASM controller Trio programmed
7	Water Trio	33371	Haube FM-Master	Cover FM-Master
8	Water Trio	35807	Ersatz Trafo AquaMax 12 V	Spare part transformer AquaMax 12 V
9	Water Trio	20284	Erdspieß	Spike
10	Water Trio	11993	BG Verlängerung Water Trio / Quintet	ASM extension Water Trio / Quintet
11	Water Trio	11282	2 Kanal Funkfernbedienung	2 channel remote control
12	Water Trio	11978	BG Pumpe Easy EC	ASM pump Easy EC
13	Water Trio	11845	BG Rotor Easy EC	ASM rotor Easy EC
14	Water Trio	12474	BG Lagerplatte mit Dichtung Trio/Quintet	ASM bearing plate w. gasket Trio/Quintet
15	Water Trio	11909	Filtergehäuse Easy EC	Filter housing Easy EC

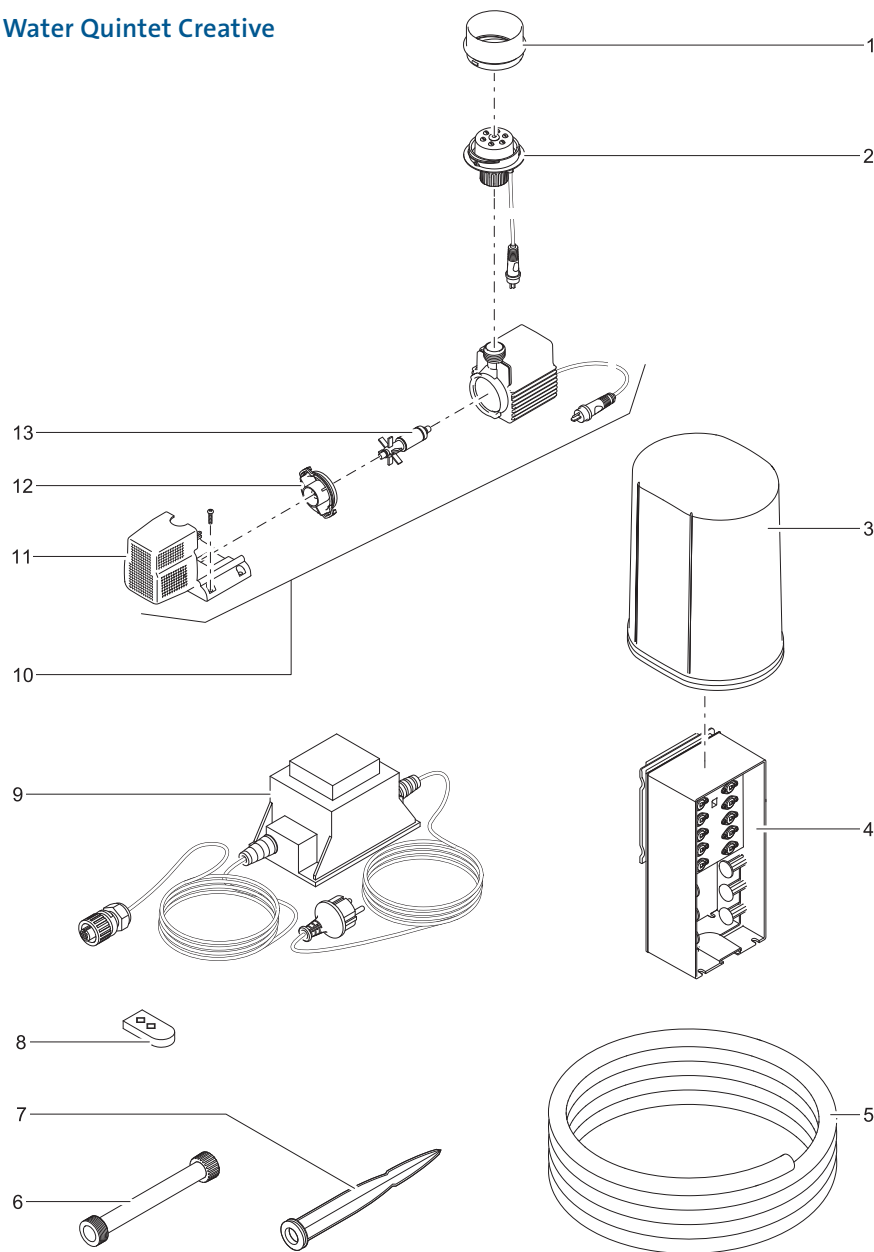
Produkt / Product  
50187 Water Quintet





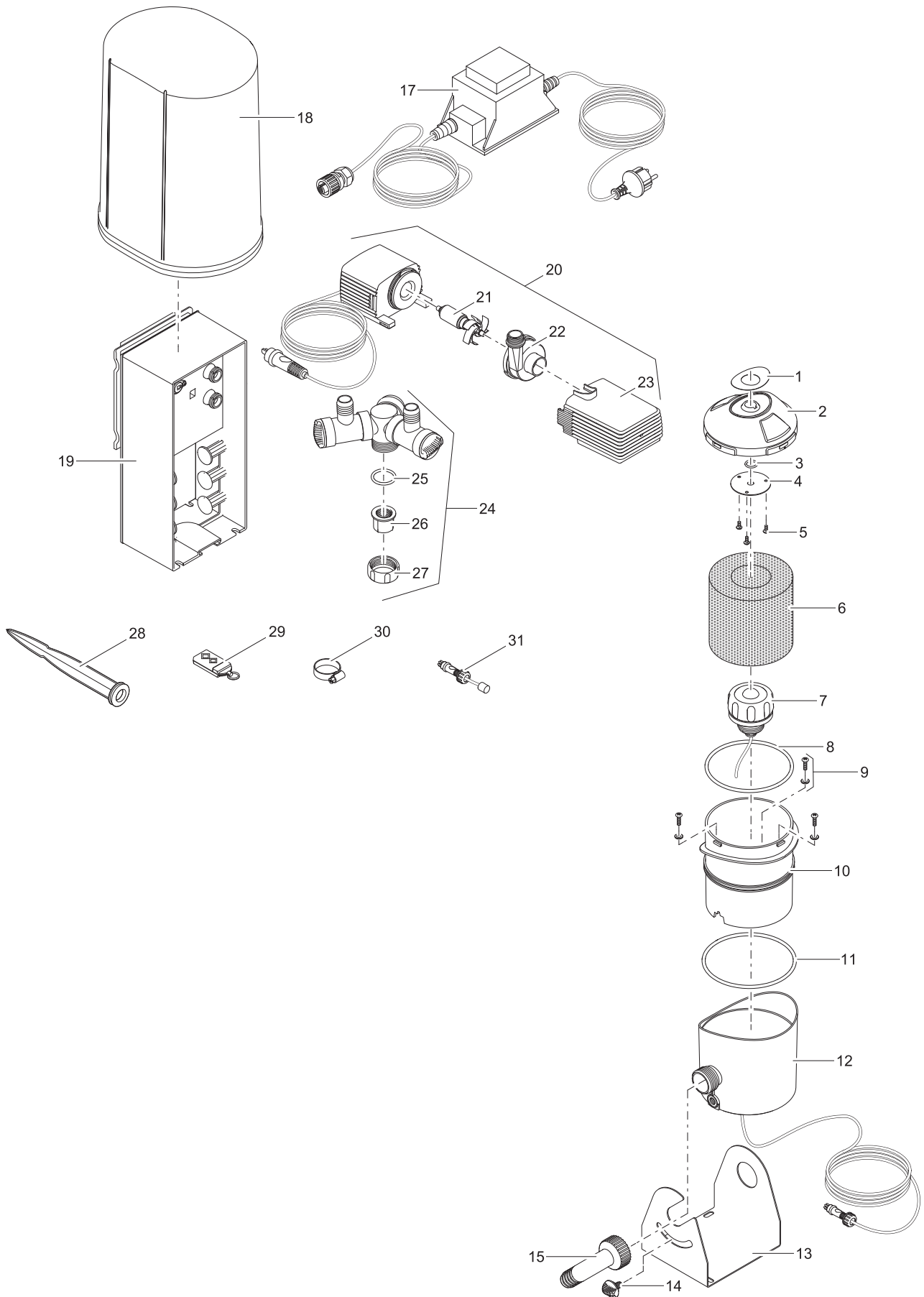
Pos.	Produkt / Product	Artikelnr. / Item no.	Ersatzteil	Spare part
1	Water Quintet	11878	Düsen Schutz	Nozzle protector
2	Water Quintet	11959	BG Abdeckung Water Quintet	ASM top cover Water Quintet
3	Water Quintet	11943	BG LED Düse Water Trio / Quintet	ASM LED nozzle Water Trio / Quintet
4	Water Quintet	11884	Grundplatte Water Trio / Quintet	Base plate Water Trio / Quintet
5	Water Quintet	12475	BG Kabelschutz Water Quintet	ASM cable protection Water Quintet
6	Water Quintet	11994	BG Steuerung Quintet programmiert	ASM controller Quintet programmed
7	Water Quintet	33371	Haube FM-Master	Cover FM-Master
8	Water Quintet	35807	Ersatz Trafo AquaMax 12 V	Spare part transformer AquaMax 12 V
9	Water Quintet	20284	Erdspieß	Spike
10	Water Quintet	11993	BG Verlängerung Water Trio / Quintet	ASM extension Water Trio / Quintet
11	Water Quintet	11282	2 Kanal Funkfernbedienung	2 channel remote control
12	Water Quintet	11978	BG Pumpe Easy EC	ASM pump Easy EC
13	Water Quintet	11845	BG Rotor Easy EC	ASM rotor Easy EC
14	Water Quintet	12474	BG Lagerplatte mit Dichtung Trio/Quintet	ASM bearing plate w. gasket Trio/Quintet
15	Water Quintet	11909	Filtergehäuse Easy EC	Filter housing Easy EC

Produkt / Product  
50394 Water Quintet Creative



Pos.	Produkt / Product	Artikelnr. / Item no.	Ersatzteil	Spare part
1	Water Quintet Creative	11878	Düsen Schutz	Nozzle protector
2	Water Quintet Creative	11943	BG LED Düse Water Trio / Quintet	ASM LED nozzle Water Trio / Quintet
3	Water Quintet Creative	33371	Haube FM-Master	Cover FM-Master
4	Water Quintet Creative	11994	BG Steuerung Quintet programmiert	ASM controller Quintet programmed
5	Water Quintet Creative	12475	BG Kabelschutz Water Quintet	ASM cable protection Water Quintet
6	Water Quintet Creative	11993	BG Verlängerung Water Trio / Quintet	ASM extension Water Trio / Quintet
7	Water Quintet Creative	20284	Erdspieß	Spike
8	Water Quintet Creative	11282	2 Kanal Funkfernbedienung	2 channel remote control
9	Water Quintet Creative	35807	Ersatz Trafo AquaMax 12 V	Spare part transformer AquaMax 12 V
10	Water Quintet Creative	11978	BG Pumpe Easy EC	ASM pump Easy EC
11	Water Quintet Creative	11909	Filtergehäuse Easy EC	Filter housing Easy EC
12	Water Quintet Creative	12474	BG Lagerplatte mit Dichtung Trio/Quintet	ASM bearing plate w. gasket Trio/Quintet
13	Water Quintet Creative	11845	BG Rotor Easy EC	ASM rotor Easy EC

Produkt / Product  
50191 Water Jet Lightning

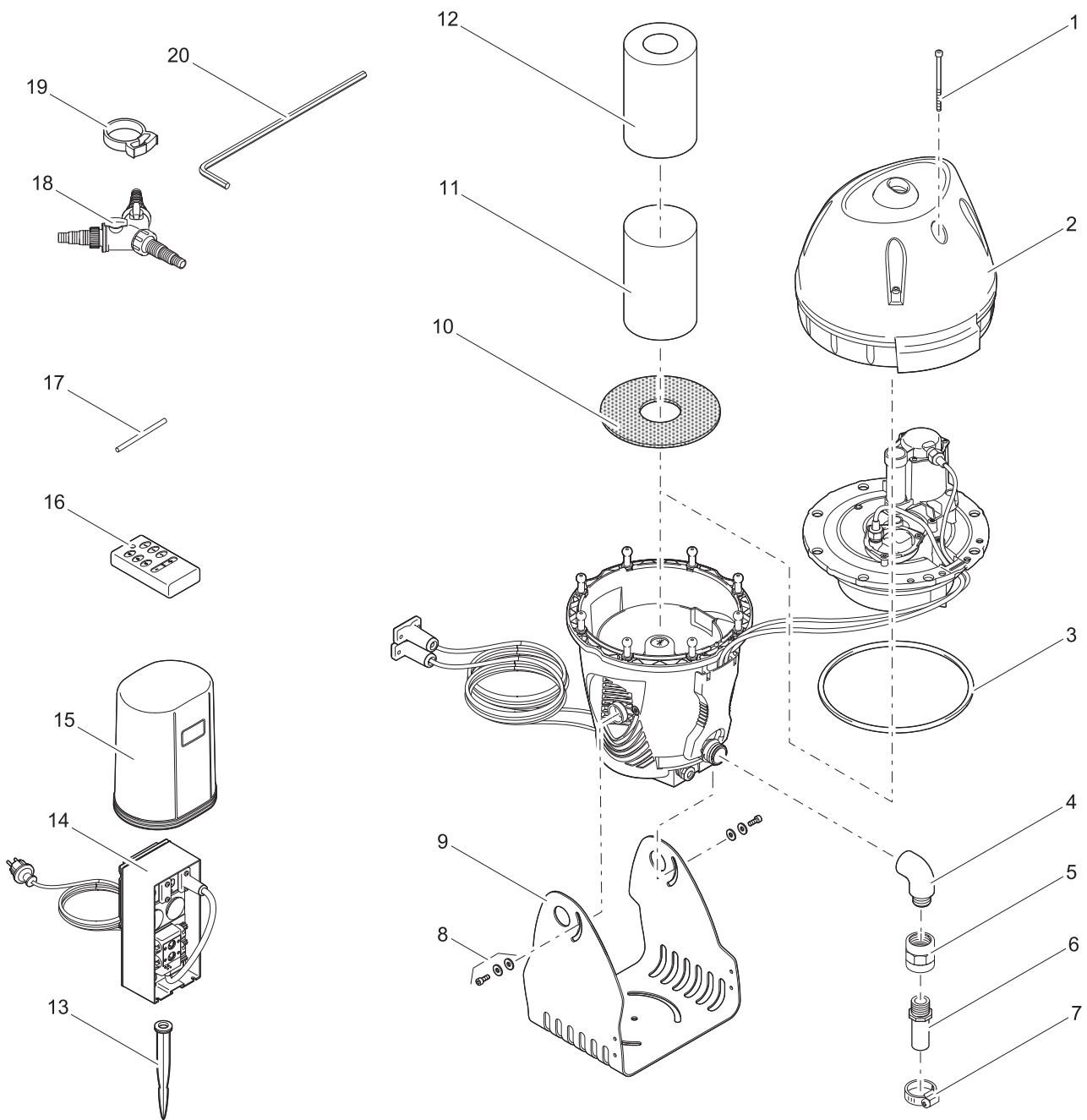


Pos.	Produkt / Product	Artikelnr. / Item no.	Ersatzteil	Spare part
1	Water Jet Lightning	11513	Metallblende Water Jet Lightning	<i>Metal header Water Jet Lightning</i>
2	Water Jet Lightning	11273	Bajonettdeckel Water Jet Lightning	<i>Bajonett top Water Jet Lightning</i>
3	Water Jet Lightning	3517	O-Ring NBR 12 x 2 SH75	<i>O-Ring NBR 12 x 2 SH75</i>
4	Water Jet Lightning	11343	Düsenblech D8 Water Jet Lightning	<i>Nozzle plate D8 Water Jet Lightning</i>
5	Water Jet Lightning	11498	Ejot-PT-Schraube 1411 KA 3,5-8 V2A	<i>Ejot-PT-screw 1411 KA 3.5-8 SS</i>
6	Water Jet Lightning	11519	Schaum Water Jet Lightning D105 x 50	<i>Foam Water Jet Lightning D105 x 50</i>
7	Water Jet Lightning	11353	BG Power LED Water Jet Lightning	<i>ASM power LED Water Jet Lightning</i>
8	Water Jet Lightning	11497	O-Ring SI 100 x 4 SH45	<i>O-Ring SI 100 x 4 SH45</i>
9	Water Jet Lightning	11631	Ejot-PT-Schraube 1411 KA 50-14	<i>Ejot-PT-screw 1411 KA 50-14</i>
10	Water Jet Lightning	11275	Innenteil Water Jet Lightning	<i>Inner part Water Jet Lightning</i>
11	Water Jet Lightning	11497	O-Ring SI 100 x 4 SH45	<i>O-Ring SI 100 x 4 SH45</i>
12	Water Jet Lightning	12434	BG Basis Water Jet Lightning	<i>ASM base Water Jet Lightning</i>
13	Water Jet Lightning	11329	Konsole Water Jet Lightning	<i>Stand Water Jet Lightning</i>
14	Water Jet Lightning	28924	Klemmschraube LunAqua 3 ASA	<i>Clamp screw LunAqua 3 ASA</i>
15	Water Jet Lightning	11500	90° Bogen 1" + Überwurfmutter + Dichtung	<i>90° elbow 1" + nut + gasket</i>
17	Water Jet Lightning	35807	Ersatz Trafo AquaMax 12 V	<i>Spare part transformer AquaMax 12 V</i>
18	Water Jet Lightning	33371	Haube FM-Master	<i>Cover FM-Master</i>
19	Water Jet Lightning	12492	Ersatz Steuerung Water Jet Lightning	<i>Spare controller WaterJet Lightning</i>
20	Water Jet Lightning	11890	BG Pumpe Water Jet Lightning	<i>ASM pump Water Jet Lightning</i>
21	Water Jet Lightning	19174	BG Rotor kpl. Water Jet Lightning	<i>ASM impeller cpl. Water Jet Lightning</i>
22	Water Jet Lightning	34674	Pumpengehäuse S 3-2	<i>Pump housing S 3-2</i>
23	Water Jet Lightning	19310	Steckfilter 1500-2500	<i>Plug in filter 1500-2500</i>
24	Water Jet Lightning	11850	Zweifachverteiler 3/4"	<i>2 way distributor 3/4"</i>
25	Water Jet Lightning	27014	O-Ring NBR 25,5 x 3 SH70 A	<i>O-Ring NBR 25.5 x 3 SH70 A</i>
26	Water Jet Lightning	27064	Reduzierstück 1/2" Multi WD	<i>Reducing piece 1/2" Multi WD</i>
27	Water Jet Lightning	12094	Überwurfmutter 1"	<i>Coupling nut 1"</i>
28	Water Jet Lightning	20284	Erdspieß	<i>Spike</i>
29	Water Jet Lightning	11282	2 Kanal Funkfernbedienung	<i>2 channel remote control</i>
30	Water Jet Lightning	11818	Schlauchschelle 20 - 32 mm	<i>Hose clamp 20 - 32 mm</i>
31	Water Jet Lightning	12490	BG Überbrückungsstecker	<i>ASM jumper plug</i>

Produkt / Product

50052 JumpingJet Rainbow Star Set

50053 JumpingJet Rainbow Star Erweiterungsset





Pos.	Produkt / Product	Artikelnr. / Item no.	Ersatzteil	Spare part
1	JumpingJet Rainbow Star Set + Erweiterung	5949	Zylinderschraube V2A DIN 912 6 x 16	Cylinder screw V2A DIN 912 6 x 16
2	JumpingJet Rainbow Star Set + Erweiterung	35925	Ersatz Haube JumpingJet	Spare part dome JumpingJet
3	JumpingJet Rainbow Star Set + Erweiterung	10013	O-Ring NBR 218 x 8 SH55 schwarz	O-Ring NBR 218 x 8 SH55 black
4	JumpingJet Rainbow Star Set + Erweiterung	24563	Winkel 90° G1 I-A Kunststoff	Elbow 90° G1 I-A plastic
5	JumpingJet Rainbow Star Set + Erweiterung	27503	Doppelmuffe IG 1"	Double bush IG 1"
6	JumpingJet Rainbow Star Set + Erweiterung	10092	Schlauchtülle bearb.	Hose tail machined
7	JumpingJet Rainbow Star Set + Erweiterung	6284	Schlauchschelle VA 22-32 mm	Hose clamp VA 22 - 32 mm
8	JumpingJet Rainbow Star Set + Erweiterung	10199	BG Feststell Kit JumpingJet	ASM base fixing kit JumpingJet
9	JumpingJet Rainbow Star Set + Erweiterung	29794	Gerätefuß JumpingJet	Device base JumpingJet
10	JumpingJet Rainbow Star Set + Erweiterung	29795	Diffusorblech	Diffusor plate
11	JumpingJet Rainbow Star Set + Erweiterung	10655	Siebeinsatz Wasserberuhiger	Screen insert water stabilizer
12	JumpingJet Rainbow Star Set + Erweiterung	29769	Filtereinsatz blau Typ FTM-365A	Filterinsert blue type FTM-365A
13	JumpingJet Rainbow Star Set + Erweiterung	20284	Erdspieß	Spike
14	JumpingJet Rainbow Star Set + Erweiterung	10893	Ersatz FM-Master JumpingJet	Spare FM-Master JumpingJet
15	JumpingJet Rainbow Star Set + Erweiterung	33371	Haube FM-Master	Cover FM-Master
16	JumpingJet Rainbow Star Set + Erweiterung	22653	Handsender FM-Master	Remote control FM-Master
17	JumpingJet Rainbow Star Set + Erweiterung	14496	Einlernstift FM-Master	Teach-in pin FM-Master
18	JumpingJet Rainbow Star Set + Erweiterung	56668	Y-Verteiler 1 1/2"	Y-distributor 1 1/2"
19	JumpingJet Rainbow Star Set + Erweiterung	10632	Snapper SNP8 schwarz	Snapper SNP8 black
20	JumpingJet Rainbow Star Set + Erweiterung	10673	Sechskantschraubendreher 5 mm	Hexagon screwdriver 5 mm

Produkt / Product

ehemals / formerly

36665 Neptun 300-1,5

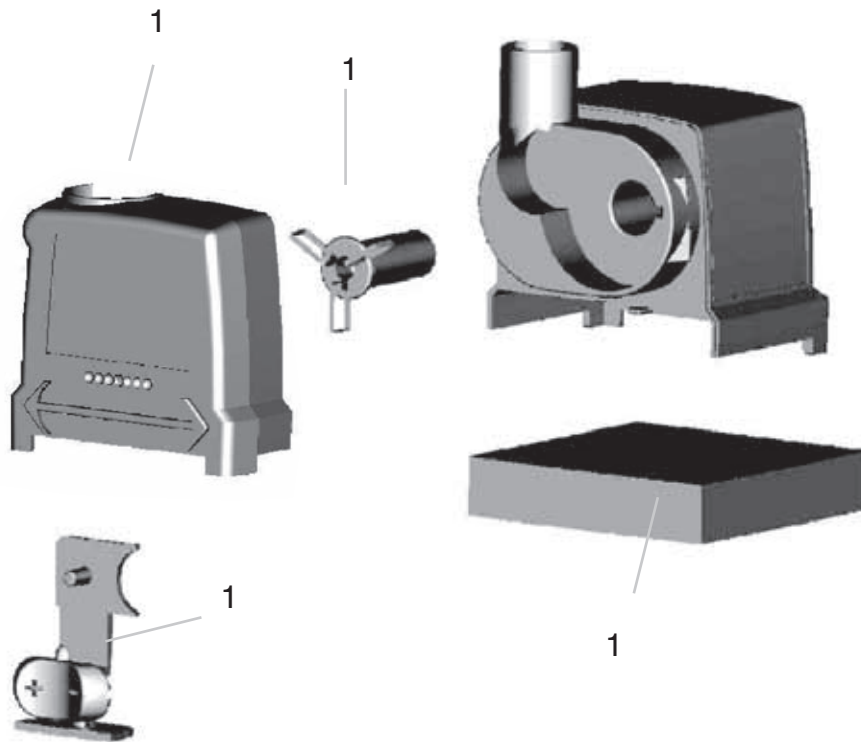
36725 Neptun 300

36673 Aquarius Universal 440i

36726 Aquarius Universal 440

Neptun 440 - 1,5 m

Neptun 440 - 10 m



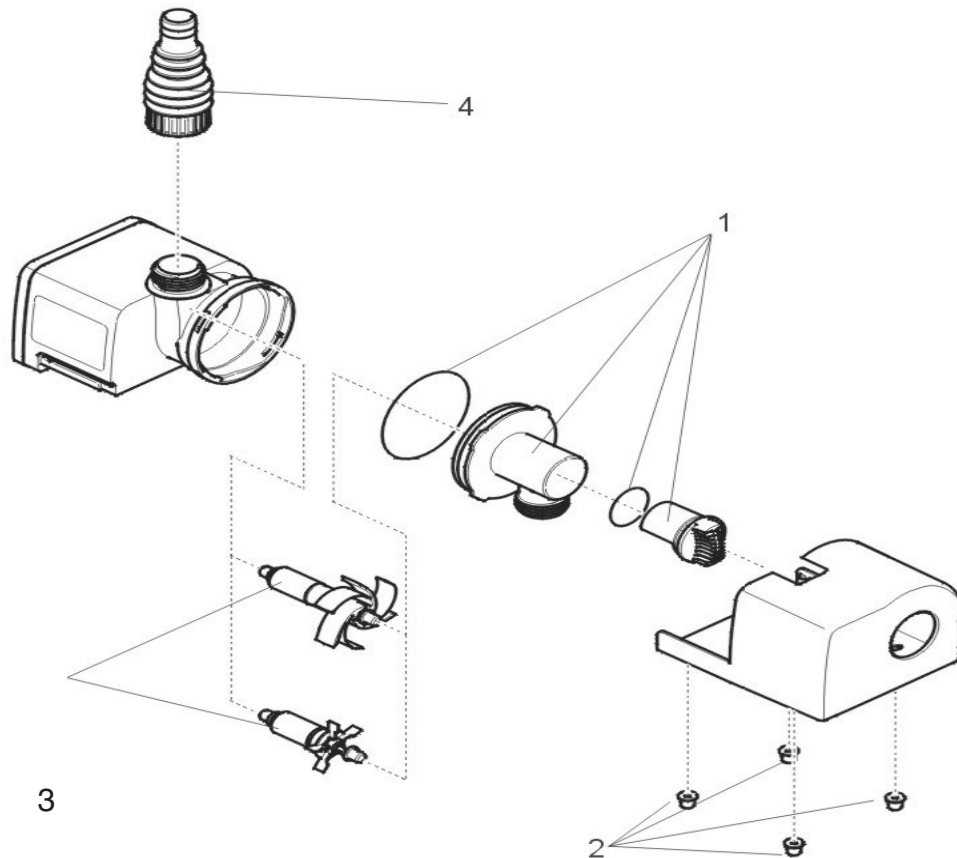
Pos.	Produkt / Product	Artikelnr. / Item no.	Ersatzteil	Spare part
1	Neptun 300-1,5	36786	Ersatzteil-Set Neptun 300	Spare part set Neptun 300
	Neptun 300	36786	Ersatzteil-Set Neptun 300	Spare part set Neptun 300
	Aquarius Universal 440i	36787	Ersatzteil-Set Aquarius Universal 440	Spare part set Aquarius Universal 440
	Aquarius Universal 440	36787	Ersatzteil-Set Aquarius Universal 440	Spare part set Aquarius Universal 440

Produkt / Product

36975 Aquarius Universal 600  
 36950 Aquarius Universal 1000  
 36951 Aquarius Universal 1500  
 36953 Aquarius Universal 2000

ehemals / formerly

Neptun 600 - 10 m  
 Neptun 1000 - 10 m  
 Neptun 1500 - 10 m  
 Neptun 2000 - 10 m



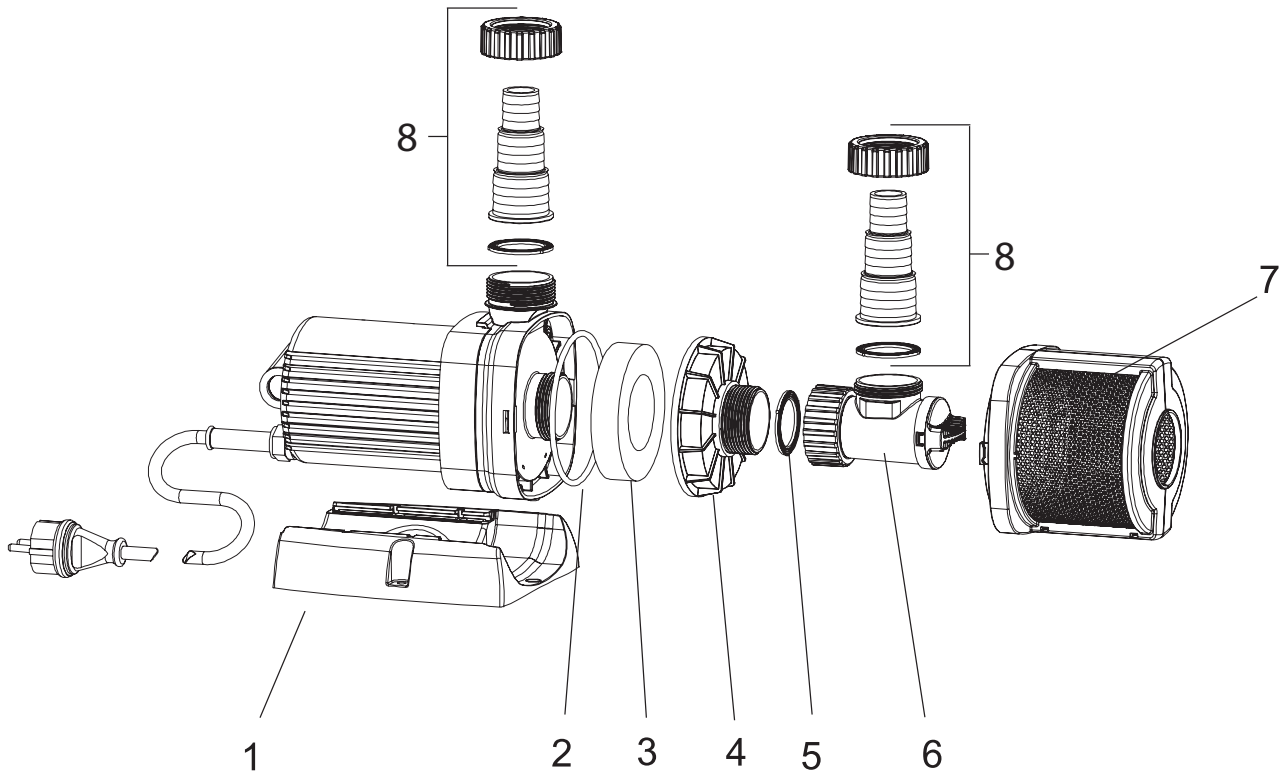
Pos.	Produkt / Product	Artikelnr. / Item no.	Ersatzteil	Spare part
1	Aquarius Universal 600	26186	BG Ansaugdeckel Aquarius Universal 600	ASM suction cover Aquarius Universal 600
	Aquarius Universal 1000	26187	BG Ansaugdeckel Aquar. Uni. 1000-1500	ASM suction cover Aquar. Uni. 1000-1500
	Aquarius Universal 1500	26187	BG Ansaugdeckel Aquar. Uni. 1000-1500	ASM suction cover Aquar. Uni. 1000-1500
	Aquarius Universal 2000	26189	BG Ansaugdeckel Aquarius Universal 2000	ASM suction cover Aquarius Uni. 2000
2	Aquarius Universal 600	26190	BG Filter + Gummifüße Aquar. Uni. 600	ASM filter+rubber feet Aquar. Uni. 600
	Aquarius Universal 1000	26191	BG Filter + Gummifüße Aquar. Uni. 1000	ASM filter+rubber feet Aquar. Uni. 1000
	Aquarius Universal 1500	26191	BG Filter + Gummifüße Aquar. Uni. 1000	ASM filter+rubber feet Aquar. Uni. 1000
	Aquarius Universal 2000	26191	BG Filter + Gummifüße Aquar. Uni. 1000	ASM filter+rubber feet Aquar. Uni. 1000
3	Aquarius Universal 600	26192	Ersatzrotor kpl. Standard-Synchron 750 V	Spare rotor cpl. Neptun 750 V
	Aquarius Universal 1000	26193	BG Ersatzrotor Aquarius Universal 1000	ASM spare rotor Aquarius Universal 1000
	Aquarius Universal 1500	26194	BG Ersatzrotor Aquarius Universal 1500	ASM spare rotor Aquarius Universal 1500
	Aquarius Universal 2000	26195	BG Ersatzrotor Aquarius Universal 2000	ASM spare rotor Aquarius Universal 2000
4	Aquarius Universal 600 - 2000	23641	Stufenschlauchtülle mit Muffe kpl. G 1/2	Stepped hose tail with bush cpl. G1/2

Produkt / Product

56611 Aquarius Universal 3000  
 56614 Aquarius Universal 4000  
 56617 Aquarius Universal 5000  
 56637 Aquarius Universal 6000  
 56876 Aquarius Universal 9000  
 56879 Aquarius Universal 12000

ehemals / formerly

Neptun 3000 - 10 m  
 Neptun 4000 - 10 m  
 Neptun 5000 - 10 m  
 Neptun 6000 - 10 m  
 Neptun 9000 - 10 m  
 Neptun 12000 - 10 m



Pos.	Produkt / Product	Artikelnr. / Item no.	Ersatzteil	Spare part
1	Aquarius Universal 3000	35099	Fuß Aquarius Universal Gr. 4	Foot Aquarius Universal size 4
	Aquarius Universal 4000	35099	Fuß Aquarius Universal Gr. 4	Foot Aquarius Universal size 4
	Aquarius Universal 5000	35099	Fuß Aquarius Universal Gr. 4	Foot Aquarius Universal size 4
	Aquarius Universal 6000	35099	Fuß Aquarius Universal Gr. 4	Foot Aquarius Universal size 4
	Aquarius Universal 9000	35243	Fuß Aquarius Universal Gr. 5	Foot Aquarius Universal size 5
	Aquarius Universal 12000	35243	Fuß Aquarius Universal Gr. 5	Foot Aquarius Universal size 5
2	Aquarius Universal 3000	3580	O-Ring NBR 80 x 3 SH75	O-Ring NBR 80 x 3 SH75
	Aquarius Universal 4000	3580	O-Ring NBR 80 x 3 SH75	O-Ring NBR 80 x 3 SH75
	Aquarius Universal 5000	3580	O-Ring NBR 80 x 3 SH75	O-Ring NBR 80 x 3 SH75
	Aquarius Universal 6000	3580	O-Ring NBR 80 x 3 SH75	O-Ring NBR 80 x 3 SH75
	Aquarius Universal 9000	3594	O-Ring NBR 100 x 4 SH75	O-Ring NBR 100 x 4 SH75
	Aquarius Universal 12000	3594	O-Ring NBR 100 x 4 SH75	O-Ring NBR 100 x 4 SH75
3	Aquarius Universal 3000	26002	Frostschuttschaum 2-1	Anti-freezing foam 2-1
	Aquarius Universal 4000	26002	Frostschuttschaum 2-1	Anti-freezing foam 2-1
	Aquarius Universal 5000	26002	Frostschuttschaum 2-1	Anti-freezing foam 2-1
	Aquarius Universal 6000	26002	Frostschuttschaum 2-1	Anti-freezing foam 2-1
	Aquarius Universal 9000	26003	Frostschuttschaum 2-2	Anti-freezing foam 2-2
	Aquarius Universal 12000	26003	Frostschuttschaum 2-2	Anti-freezing foam 2-2
4	Aquarius Universal 3000	34949	Frostschutzgehäuse 2-1 AquaMax 03	Anti-freeze housing 2-1 AquaMax 03
	Aquarius Universal 4000	34949	Frostschutzgehäuse 2-1 AquaMax 03	Anti-freeze housing 2-1 AquaMax 03
	Aquarius Universal 5000	34949	Frostschutzgehäuse 2-1 AquaMax 03	Anti-freeze housing 2-1 AquaMax 03
	Aquarius Universal 6000	34949	Frostschutzgehäuse 2-1 AquaMax 03	Anti-freeze housing 2-1 AquaMax 03
	Aquarius Universal 9000	34961	Frostschutzgehäuse 2-2 AquaMax 03	Anti-freeze housing 2-2 AquaMax 03
	Aquarius Universal 12000	34961	Frostschutzgehäuse 2-2 AquaMax 03	Anti-freeze housing 2-2 AquaMax 03
5	Neptun 3000 / Aquarius Universal 4000 - 12000	19491	Flachdichtung Tülle 1 1/2"	Flat gasket hose tail 1 1/2"
6	Neptun 3000 / Aquarius Universal 4000 - 12000	26405	Ansaugeinheit Aquarius Universal Gr. 4	Suction unit Aquarius Universal Size 4
7	Aquarius Universal 3000	35174	BG Vorfilter Aquarius Universal Gr. 4	ASM pre-filter Aquarius Universal size 4
	Aquarius Universal 4000	35174	BG Vorfilter Aquarius Universal Gr. 4	ASM pre-filter Aquarius Universal size 4
	Aquarius Universal 5000	35174	BG Vorfilter Aquarius Universal Gr. 4	ASM pre-filter Aquarius Universal size 4
	Aquarius Universal 6000	35174	BG Vorfilter Aquarius Universal Gr. 4	ASM pre-filter Aquarius Universal size 4
	Aquarius Universal 9000	35252	BG Vorfilter Aquarius Universal Gr. 5	ASM pre filter Aquarius Universal size 5
	Aquarius Universal 12000	35252	BG Vorfilter Aquarius Universal Gr. 5	ASM pre filter Aquarius Universal size 5
8	Aquarius Universal 3000	35179	Beipack Aquarius Universal 1600-6000	Add. pack Aquarius Universal 1600-6000
	Aquarius Universal 4000	35179	Beipack Aquarius Universal 1600-6000	Add. pack Aquarius Universal 1600-6000
	Aquarius Universal 5000	35179	Beipack Aquarius Universal 1600-6000	Add. pack Aquarius Universal 1600-6000
	Aquarius Universal 6000	35179	Beipack Aquarius Universal 1600-6000	Add. pack Aquarius Universal 1600-6000
	Aquarius Universal 9000	35251	Beipack Aquarius Universal 9000/12000	Add. pack Aquarius Universal 9000/12000
	Aquarius Universal 12000	35251	Beipack Aquarius Universal 9000/12000	Add. pack Aquarius Universal 9000/12000

Produkt / Product

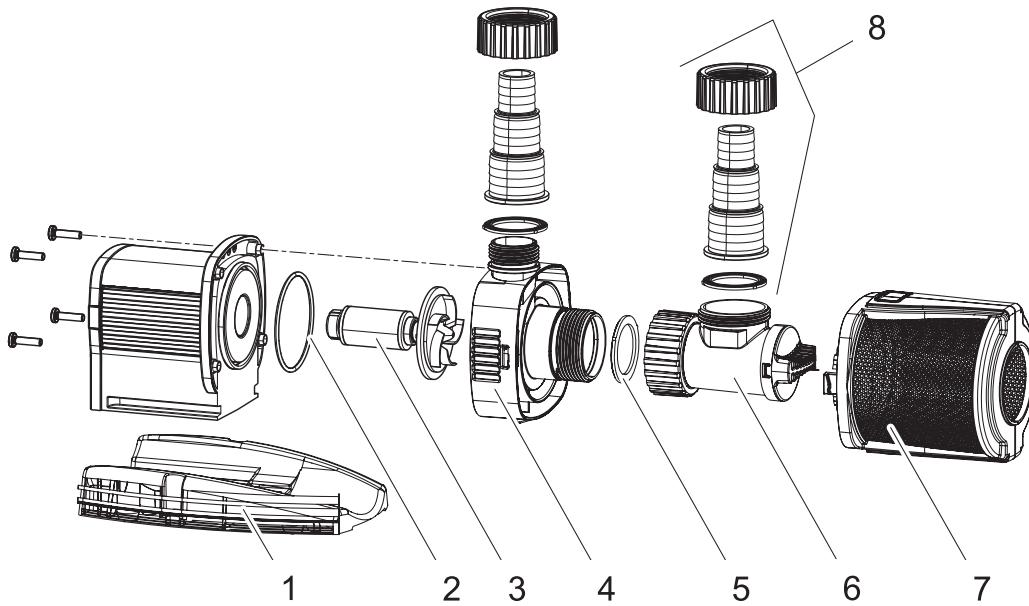
57390 Aquarius Universal Eco 3000

57392 Aquarius Universal Eco 4000

ehemals / formerly

Neptun Eco 3000

Neptun Eco 4000



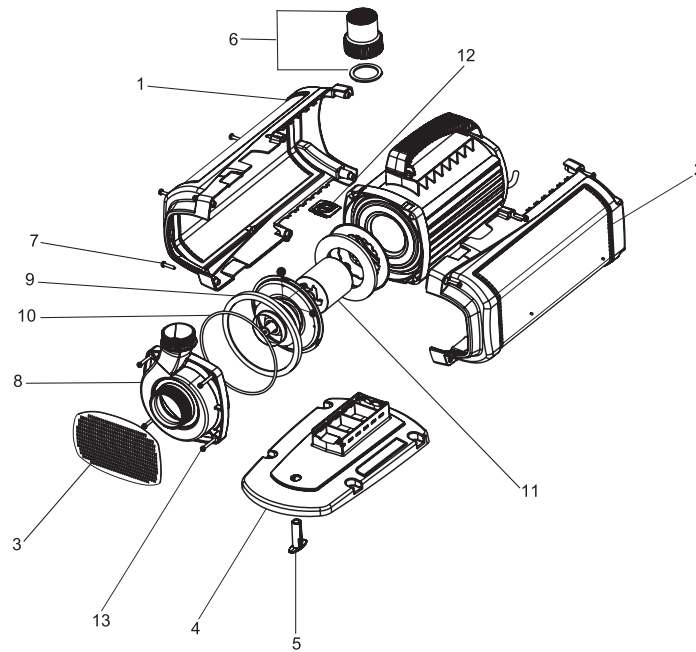
Pos.	Produkt / Product	Artikelnr. / Item no.	Ersatzteil	Spare part
1	Aquarius Universal Eco 3000 - 4000	35752	BG Pumpenfuß Aquarius Universal Eco	ASM base Aquarius Universal Eco
2	Aquarius Universal Eco 3000 - 4000	25969	O-Ring NBR 60 x 2,5 SH70 A	O-Ring NBR 60 x 2.5 SH70 A
3	Aquarius Universal Eco 3000	35801	Rotor Aquarius Universal Eco 3000	Impeller Aquarius Universal Eco 3000
	Aquarius Universal Eco 4000	35802	Ersatzrotor kpl. EC-mini 4000	Spare rotor cpl. EC-mini 4000
4	Aquarius Universal Eco 3000 - 4000	35825	Ersatz Pumpengeh. Aquarius Universal Eco	Spare pump housing Aquar. Universal Eco
5	Aquarius Universal Eco 3000 - 4000	19491	Flachdichtung Tülle 1 1/2"	Flat gasket hose tail 1 1/2"
6	Aquarius Universal Eco 3000 - 4000	26405	Ansaugeinheit Aquarius Universal Gr. 4	Suction unit Aquarius Universal Size 4
7	Aquarius Universal Eco 3000 - 4000	35826	Ersatz Vorfilter Aquarius Universal Eco	Spare pre filter Aquarius Universal Eco
8	Aquarius Universal Eco 3000 - 4000	35179	Beipack Aquarius Universal 1600-6000	Add. pack Aquarius Universal 1600-6000

**Produkt / Product**

56870 Aquarius Universal 21000  
 56871 Aquarius Universal 27000  
 56872 Aquarius Universal 40000

*ehemals / formerly*

*Profinaut 21  
 Profinaut 27  
 Profinaut 40*



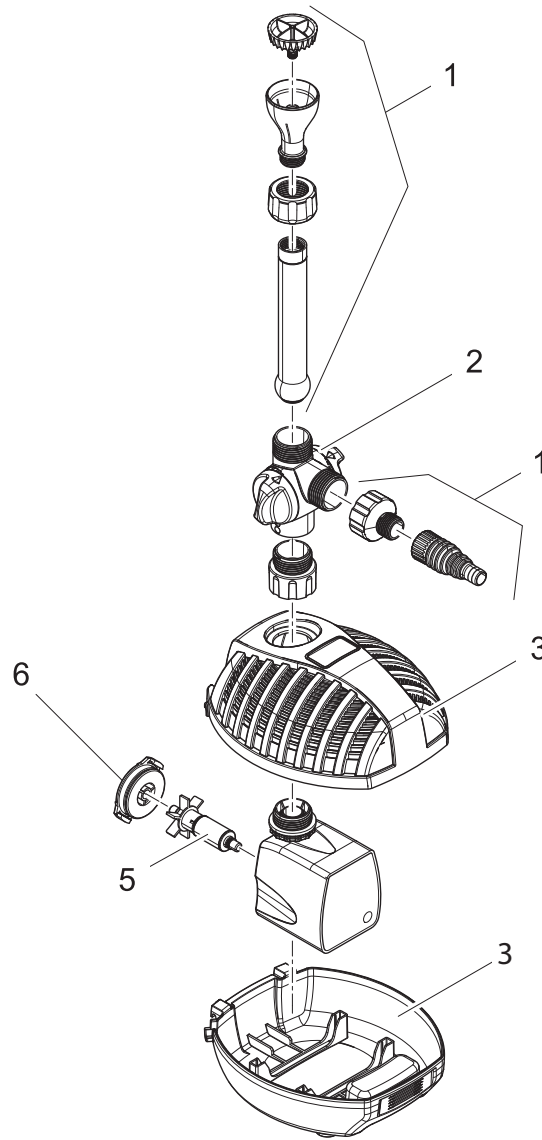
Pos.	Produkt / Product	Artikelnr. / Item no.	Ersatzteil	Spare part
1	Aquarius Universal 21000	26697	Filterwanne 107 WSP rechts	Filter flank 107 WSP right
	Aquarius Universal 27000	26697	Filterwanne 107 WSP rechts	Filter flank 107 WSP right
	Aquarius Universal 40000	26700	Filterwanne 135 WSP rechts	Filter flank 135 WSP right
2	Aquarius Universal 21000	26696	Filterwanne 107 WSP links	Filter flank 107 WSP left
	Aquarius Universal 27000	26696	Filterwanne 107 WSP links	Filter flank 107 WSP left
	Aquarius Universal 40000	26699	Filterwanne 135 WSP links	Filter flank 135 WSP left
3	Aquarius Universal 21000	26733	Frontblech 107 WSP	Front plate 107 WSP
	Aquarius Universal 27000	26733	Frontblech 107 WSP	Front plate 107 WSP
	Aquarius Universal 40000	26735	Frontblech 135 WSP	Front plate 135 WSP
4	Aquarius Universal 21000 - 40000	26703	Pumpenfuß Profiline	Pump base Profiline
5	Aquarius Universal 40000	27179	Stabilisator Profiline	Stabiliser Profiline
6	Aquarius Universal 21000 - 40000	35360	Anschluss-Kit Aquarius Universal	Connection kit Aquarius Universal
7	Aquarius Universal 21000 - 40000	6055	Linsenschraube V2A DIN 7985 M5 x 20 H	Oval head screw V2A DIN 7985 M5 x 20 H
8	Aquarius Universal 21000	26688	Pumpengehäuse 107	Pump housing 107
	Aquarius Universal 27000	26688	Pumpengehäuse 107	Pump housing 107
	Aquarius Universal 40000	26689	Pumpengehäuse 135	Pump housing 135
9	Aquarius Universal 21000	26692	Zentrier-Ring 107	Centre ring 107
	Aquarius Universal 27000	26692	Zentrier-Ring 107	Centre ring 107
	Aquarius Universal 40000	26693	Zentrier-Ring 135	Centre ring 135
10	Aquarius Universal 21000	27289	O-Ring NBR 130 x 4,3 SH70	O-Ring NBR 130 x 4.3 SH70
	Aquarius Universal 27000	27289	O-Ring NBR 130 x 4,3 SH70	O-Ring NBR 130 x 4.3 SH70
	Aquarius Universal 40000	3616	O-Ring NBR 154 x 4 SH75	O-Ring NBR 154 x 4 SH75
11	Aquarius Universal 21000	35362	Rotor kpl. Aquarius Universal 21000	Impeller cpl. Aquarius Universal 21000
	Aquarius Universal 27000	35363	Rotor kpl. Aquarius Universal 27000	Impeller cpl. Aquarius Universal 27000
	Aquarius Universal 40000	35364	Rotor kpl. Aquarius Universal 40000	Impeller cpl. Aquarius Universal 40000
12	Aquarius Universal 21000 - 40000	35361	Ersatz Emblem Profiline	Spare emblem Profiline
13	Aquarius Universal 21000 - 40000	6061	Linsenschraube Kreuzschl. DIN 7985 6x25	Oval head screw Phillips DIN7985 6 x 25

Produkt / Product

ehemals / formerly

57399 Aquarius Fountain Set 1000  
 57400 Aquarius Fountain Set 1500  
 57401 Aquarius Fountain Set 2500  
 57402 Aquarius Fountain Set 3500

Aquarius 1000 Start  
 Aquarius 1500 Start  
 Aquarius 2500 Start  
 Aquarius 3500 Start



Pos.	Produkt / Product	Artikelnr. / Item no.	Ersatzteil	Spare part
1	Aquarius Fountain Set 1000 - 3500	35717	Beipack Düsenset Start	Additional pack nozzle set Start
2	Aquarius Fountain Set 1000 - 3500	20830	T-Regler G 1	T-controller G 1
3	Aquarius Fountain Set 1000 - 3500	18237	BG Filtergehäuse Ober- und Unterteil	ASM filter housing top and base
5	Aquarius Fountain Set 1000	28351	Ersatzrotor Pumpe 1000 ASE	Spare rotor pump 1000 ASE
	Aquarius Fountain Set 1500	28352	Ersatzrotor Pumpe 1500 ASE	Spare rotor pump 1500 ASE
	Aquarius Fountain Set 2500	35755	Ersatzrotor Pumpe 2500 ASE	Spare rotor pump 2500 ASE
	Aquarius Fountain Set 3500	14364	Ersatzrotor Pumpe 3500 ASE X-Ring	Spare rotor pump 3500 ASE x-ring
6	Aquarius Fountain Set 1000	35762	BG Pumpengehäuse ASE 1000	ASM pump housing ASE 1000
	Aquarius Fountain Set 1500	35769	BG Pumpengehäuse ASE 1500	ASM pump housing ASE 1500
	Aquarius Fountain Set 2500	35770	BG Pumpengehäuse ASE 2500	ASM pump housing ASE 2500
	Aquarius Fountain Set 3500	35771	BG Pumpengehäuse ASE 3500	ASM pump housing ASE 3500

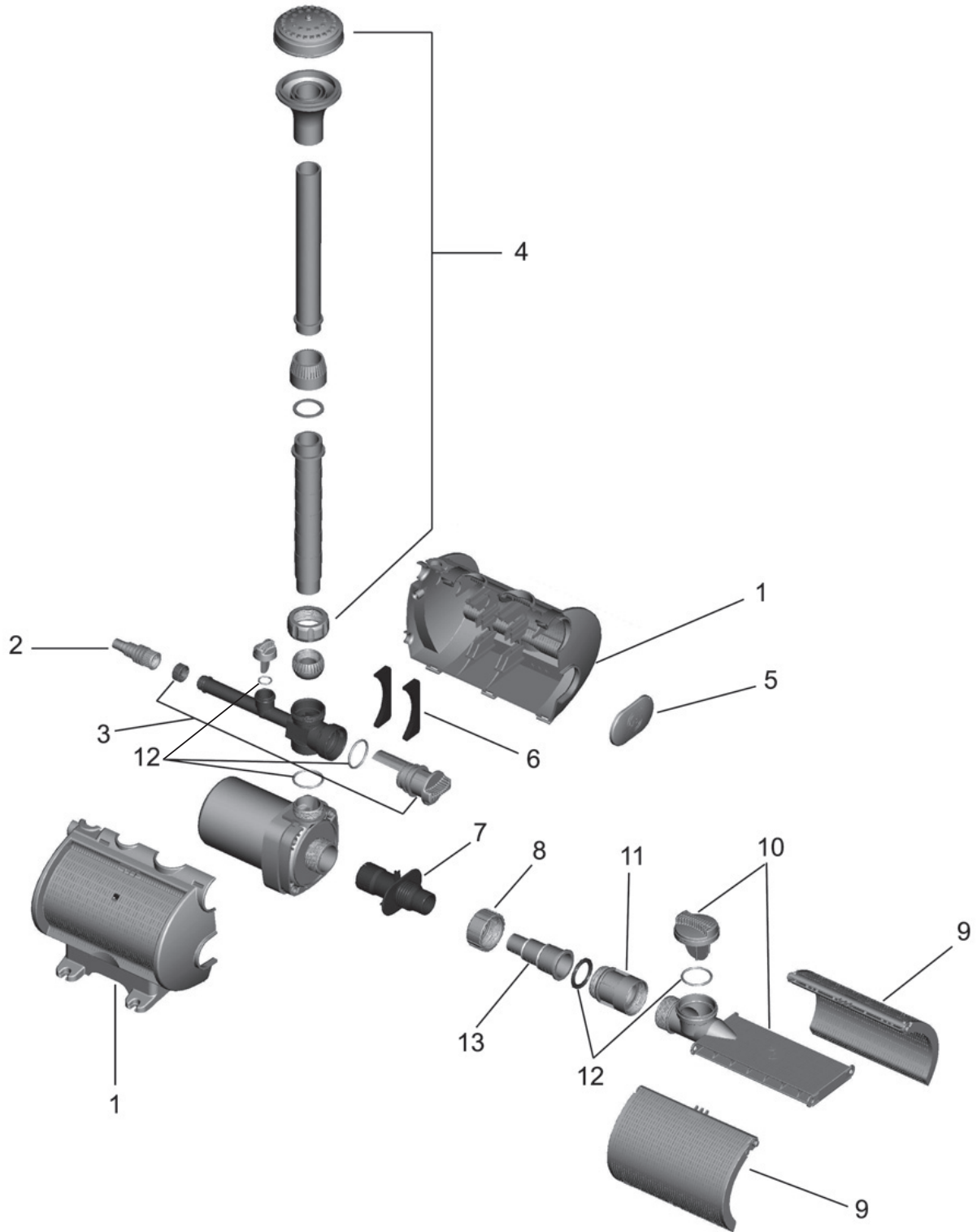


Produkt / Product

ehemals / formerly

- 56315 Aquarius Fountain Set 4000
- 56319 Aquarius Fountain Set 6000
- 56323 Aquarius Fountain Set 8000
- 56327 Nautilus 400
- 56332 Aquarius Fountain Set 12000

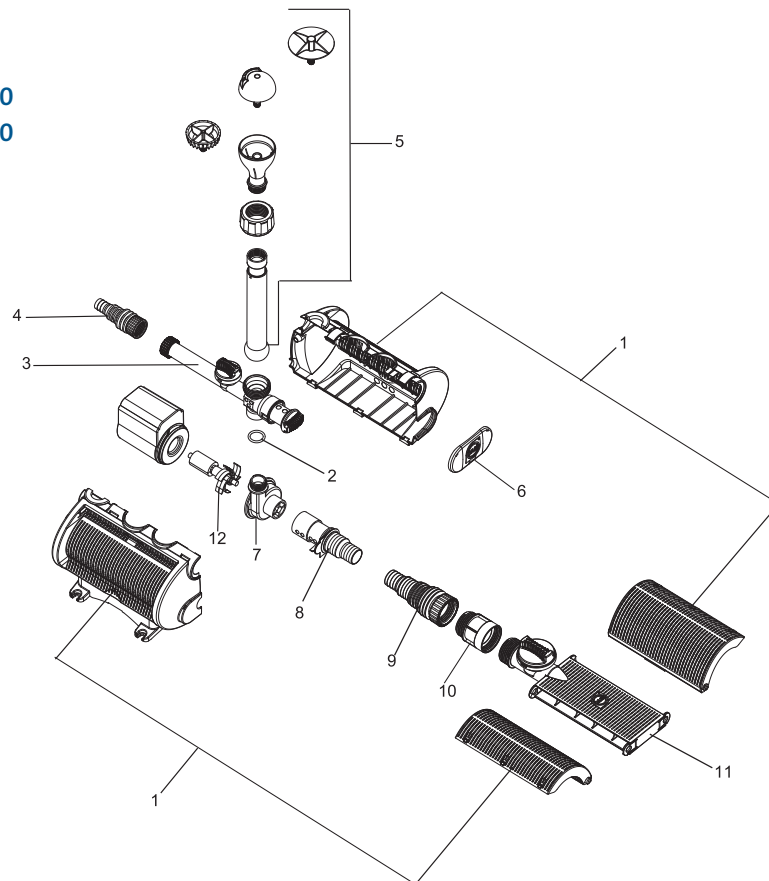
- Nautilus 200
- Nautilus 250
- Nautilus 350
- Nautilus 450



Pos.	Produkt / Product	Artikelnr. / Item no.	Ersatzteil	Spare part
1	Aquarius Fountain Set 4000 - 12000	34805	Ers. Filtergeh. Aquarius Fountain Gr. 3	<i>Spare filter housing Aquar. Fount. 3</i>
2	Aquarius Fountain Set 4000 - 12000	23641	Stufenschlauchtülle mit Muffe kpl. G 1/2	<i>Stepped hose tail with bush cpl. G1/2</i>
3	Aquarius Fountain Set 4000	25206	Wasserverteiler 3-1 kpl.	<i>Water distributor 3-1 cpl.</i>
	Aquarius Fountain Set 6000	25206	Wasserverteiler 3-1 kpl.	<i>Water distributor 3-1 cpl.</i>
	Aquarius Fountain Set 8000	25207	Wasserverteiler 3-2 kpl AquariusFountain	<i>Waterdistributor 3-2cpl AquariusFountain</i>
	Nautilus 400	25207	Wasserverteiler 3-2 kpl AquariusFountain	<i>Waterdistributor 3-2cpl AquariusFountain</i>
	Aquarius Fountain Set 12000	25207	Wasserverteiler 3-2 kpl AquariusFountain	<i>Waterdistributor 3-2cpl AquariusFountain</i>
4	Aquarius Fountain Set 4000	34808	Ers. Düsenet Aquarius Fountain Gr. 3-1	<i>Spare nozzle set Aquar. Fount. size 3-1</i>
	Aquarius Fountain Set 6000	34808	Ers. Düsenet Aquarius Fountain Gr. 3-1	<i>Spare nozzle set Aquar. Fount. size 3-1</i>
	Aquarius Fountain Set 8000	34806	Ers. Düsenet Aquarius Fountain Gr. 3-2	<i>Spare nozzle set Aquar. Fount. size 3-2</i>
	Nautilus 400	34806	Ers. Düsenet Aquarius Fountain Gr. 3-2	<i>Spare nozzle set Aquar. Fount. size 3-2</i>
	Aquarius Fountain Set 12000	34806	Ers. Düsenet Aquarius Fountain Gr. 3-2	<i>Spare nozzle set Aquar. Fount. size 3-2</i>
5	Aquarius Fountain Set 4000 - 12000	34620	Abdeckung vorn 3 Aquarius Fountain Set	<i>Inlet cover front 3 Aquarius Fountain</i>
6	Aquarius Fountain Set 4000	25450	Gummipuffer 1	<i>Rubber pad 1</i>
	Aquarius Fountain Set 6000	25450	Gummipuffer 1	<i>Rubber pad 1</i>
	Aquarius Fountain Set 8000	25451	Gummipuffer 2	<i>Rubber pad 2</i>
	Nautilus 400	25451	Gummipuffer 2	<i>Rubber pad 2</i>
	Aquarius Fountain Set 12000	25451	Gummipuffer 2	<i>Rubber pad 2</i>
7	Aquarius Fountain Set 4000	34621	Ansaugrohr 3 / 1 Aquarius Fountain Set	<i>Suction pipe 3 / 1 Aquarius Fountain Set</i>
	Aquarius Fountain Set 6000	34621	Ansaugrohr 3 / 1 Aquarius Fountain Set	<i>Suction pipe 3 / 1 Aquarius Fountain Set</i>
	Aquarius Fountain Set 8000	34651	Ansaugrohr 3 / 2 Aquarius Fountain Set	<i>Suction pipe 3 / 2 Aquarius Fountain Set</i>
	Nautilus 400	34651	Ansaugrohr 3 / 2 Aquarius Fountain Set	<i>Suction pipe 3 / 2 Aquarius Fountain Set</i>
	Aquarius Fountain Set 12000	34651	Ansaugrohr 3 / 2 Aquarius Fountain Set	<i>Suction pipe 3 / 2 Aquarius Fountain Set</i>
8	Aquarius Fountain Set 4000 - 12000	34737	Überwurfmutter 1 1/2" 40-20	<i>Coupling nut 1 1/2" 40-20</i>
9	Aquarius Fountain Set 4000 - 12000	27285	BG Schwenkfilter 3 kpl.	<i>ASM filter wing 3 cpl.</i>
10	Aquarius Fountain Set 4000 - 12000	34807	Ers. Filteradapter Aquar. Fountain Gr. 3	<i>Spare filter adaptor cpl Aquar. Fount. 3</i>
11	Aquarius Fountain Set 4000 - 12000	25323	Feinfilterhülse 1 1/2"	<i>Strainer tube 1 1/2 "</i>
12	Aquarius Fountain Set 4000 - 12000	34804	Ers. Dicht.set Aquar. Fountain Set Gr. 3	<i>Spare sealing set Aquarius Fount. size 3</i>
13	Aquarius Fountain Set 4000 - 12000	25218	Stufenschlauchtülle 1 1/2" schwarz	<i>Stepped hose tail 1 1/2" black</i>

Produkt / Product

- 56299 Nautilus 50
- 56303 Nautilus 80
- 56307 Nautilus 110
- 56311 Nautilus 150



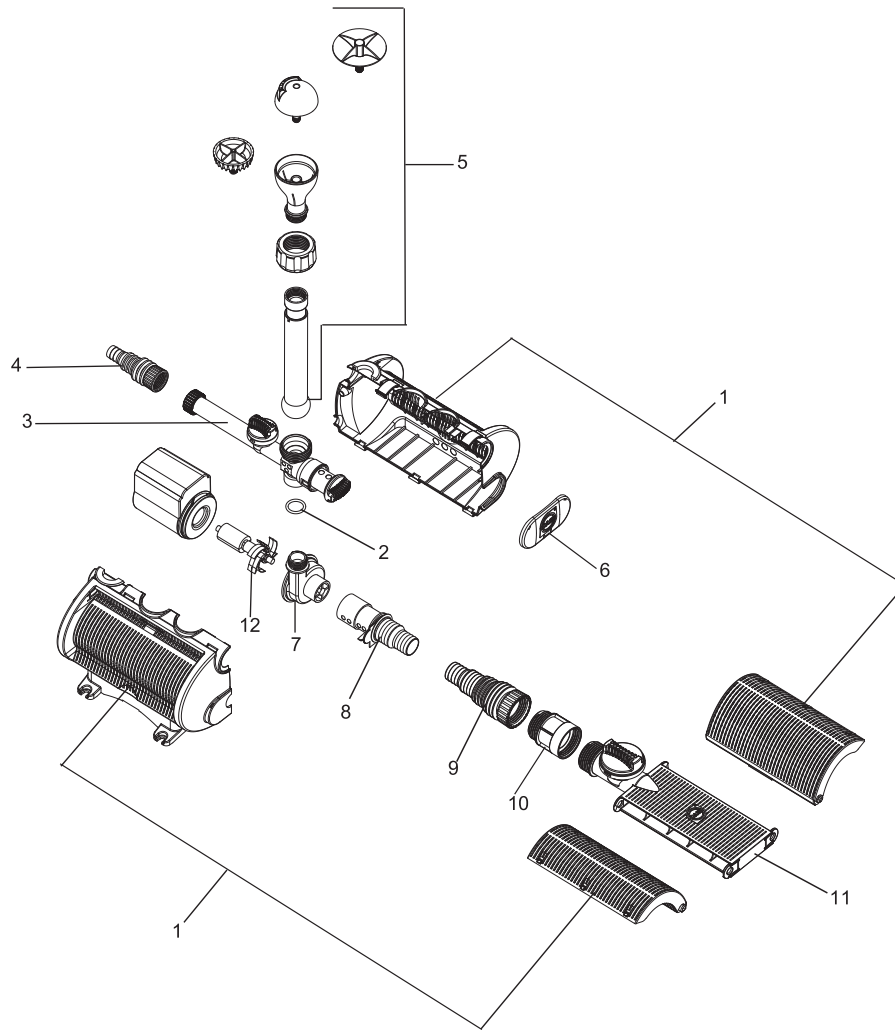
Pos.	Produkt / Product	Artikelnr. / Item no.	Ersatzteil	Spare part
1	Nautilus 50 - 150	35412	BG Filter Nautilus 50-150	ASM filter Nautilus 50-150
2	Nautilus 50 - 150	34798	Ers. Dicht.set Aquar. Fountain Set Gr. 2	Spare sealing set Aquarius Fount. size 2
3	Nautilus 50 - 150	25197	Wasserverteiler 2 kpl. Aquarius Fountain	Waterdistributor 2 cpl. Aquarius Fountain
4	Nautilus 50 - 150	23641	Stufenschlauchtülle mit Muffe kpl. G 1/2	Stepped hose tail with bush cpl. G1/2
5	Nautilus 50	25198	Düsenset-2-1-kpl. Aquarius Fountain Set	Nozzle set 2-1-cpl Aquarius Fountain Set
	Nautilus 80	25196	Düsenset-2-2-kpl. Aquarius Fountain Set	Nozzle set 2-2 cpl Aquarius Fountain Set
	Nautilus 110	25196	Düsenset-2-2-kpl. Aquarius Fountain Set	Nozzle set 2-2 cpl Aquarius Fountain Set
	Nautilus 150	25196	Düsenset-2-2-kpl. Aquarius Fountain Set	Nozzle set 2-2 cpl Aquarius Fountain Set
6	Nautilus 50 - 150	25217	Abdeckung vorn 2 Aquarius Fountain Set	Inlet cover front 2 Aquarius Fountain
7	Nautilus 50	26553	Pumpendeckel Synchron Gr. 1	Pump cover synchronic size 1
	Nautilus 80	34673	Pumpengehäuse S 3-1	Pump housing S 3-1
	Nautilus 110	34674	Pumpengehäuse S 3-2	Pump housing S 3-2
	Nautilus 150	34675	Pumpengehäuse S 3-3	Pump housing S 3-3
8	Nautilus 50	25198	Düsenset-2-1-kpl. Aquarius Fountain Set	Nozzle set 2-1-cpl Aquarius Fountain Set
	Nautilus 80	25196	Düsenset-2-2-kpl. Aquarius Fountain Set	Nozzle set 2-2 cpl Aquarius Fountain Set
	Nautilus 110	25196	Düsenset-2-2-kpl. Aquarius Fountain Set	Nozzle set 2-2 cpl Aquarius Fountain Set
	Nautilus 150	25196	Düsenset-2-2-kpl. Aquarius Fountain Set	Nozzle set 2-2 cpl Aquarius Fountain Set
9	Nautilus 50 - 150	23642	Stufenschlauchtülle mit Muffe kpl. G1	Stepped hose tail with bush cpl. G1
10	Nautilus 50 - 150	25324	Feinfilterhülse 1"	Strainer tube 1"
11	Nautilus 50 - 150	34799	Ers. Filteradapter Aquar. Fountain Gr. 2	Spare filter adaptor cpl Aquar. Fount. 2
12	Nautilus 50	26192	Ersatzrotor kpl. Standard-Synchron 750 V	Spare rotor cpl. Neptun 750 V
	Nautilus 80	26647	Ersatzrotor kpl. Standard-Synchron 1000V	Spare rotor cpl. Standard - Syn 1000 V
	Nautilus 110	26648	Ersatzrotor Standard-Synchron 1500-1800V	Spare rotor cpl. norm.-syn. 1500-1800 V
	Nautilus 150	27101	Ersatzrotor Standard-Synchron 2500 H	Spare rotor cpl. norm.-syn. 2500 H

Produkt / Product

56888 Aquarius Solar 700  
56889 Aquarius Solar 1500

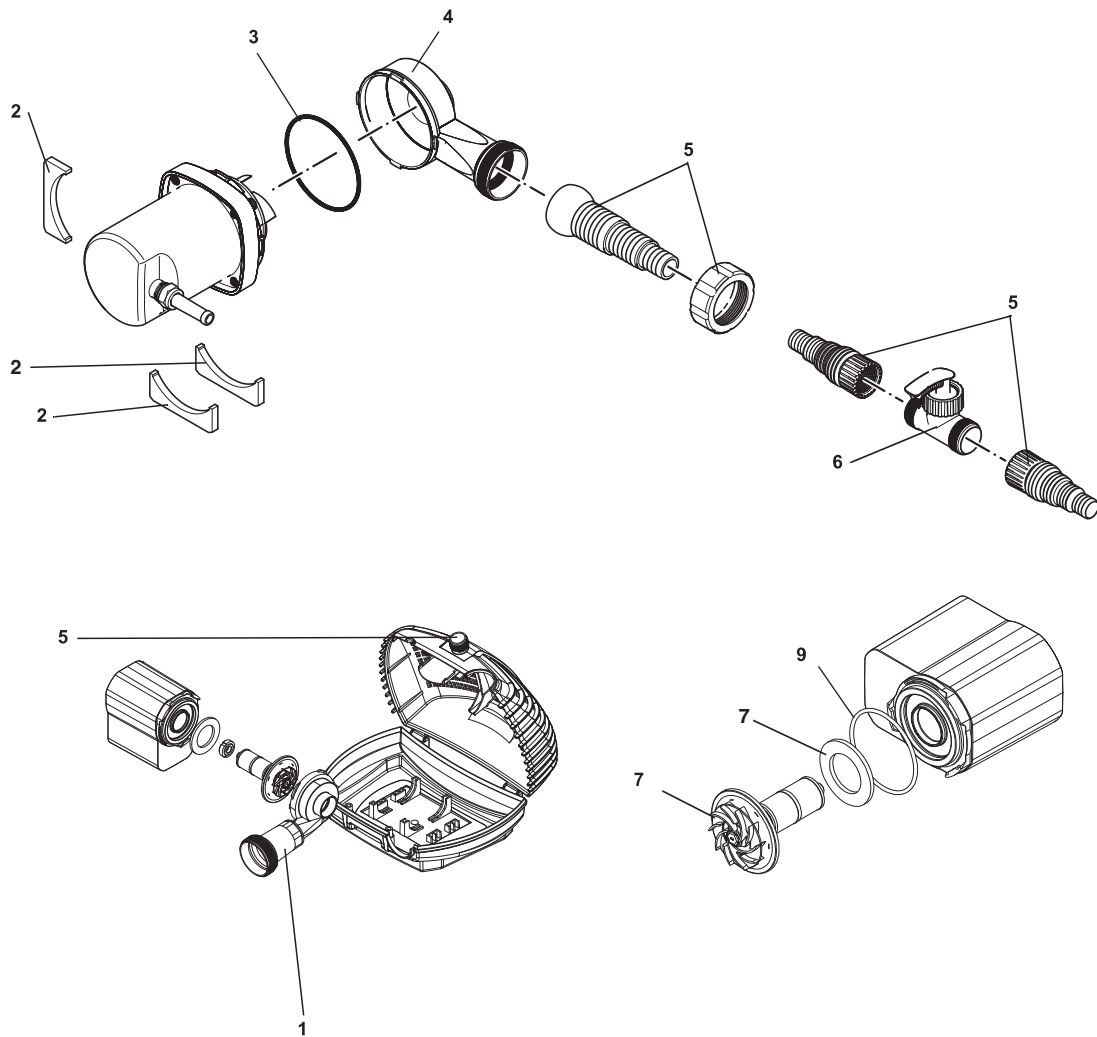
ehemals / formerly

Nautilus Solar 70  
Nautilus Solar 140



Pos.	Produkt / Product	Artikelnr. / Item no.	Ersatzteil	Spare part
1	Aquarius Solar 700 - 1500	35412	BG Filter Nautilus 50-150	ASM filter Nautilus 50-150
2	Aquarius Solar 700 - 1500	3533	O-Ring NBR 19 x 2,4 SH75	O-Ring NBR 19 x 2.4 SH75
3	Aquarius Solar 700 - 1500	25197	Wasserverteiler 2 kpl. Aquarius Fountain	Waterdistributor 2 cpl. Aquarius Fountain
4	Aquarius Solar 700 - 1500	23641	Stufenschlauchtülle mit Muffe kpl. G 1/2	Stepped hose tail with bush cpl. G1/2
5	Aquarius Solar 700	27184	Düsenset Aquarius Solar	Nozzle set Aquarius Solar
	Aquarius Solar 1500	25196	Düsenset-2-2-kpl. Aquarius Fountain Set	Nozzle set 2-2 cpl Aquarius Fountain Set
6	Aquarius Solar 700 - 1500	25217	Abdeckung vorn 2 Aquarius Fountain Set	Inlet cover front 2 Aquarius Fountain
7	Aquarius Solar 700	17402	Pumpengehäuse Aquarius 600-900	Pump housing Aquarius 600-900
	Aquarius Solar 1500	34674	Pumpengehäuse S 3-2	Pump housing S 3-2
8	Aquarius Solar 700	26924	Ansaugrohr Aquarius Solar 700	Suction pipe Aquarius Solar 700
	Aquarius Solar 1500	25196	Düsenset-2-2-kpl. Aquarius Fountain Set	Nozzle set 2-2 cpl Aquarius Fountain Set
9	Aquarius Solar 700 - 1500	23642	Stufenschlauchtülle mit Muffe kpl. G1	Stepped hose tail with bush cpl. G1
10	Aquarius Solar 700 - 1500	25324	Feinfilterhülse 1"	Strainer tube 1"
11	Aquarius Solar 700 - 1500	34799	Ers. Filteradapter Aquar. Fountain Gr. 2	Spare filter adaptor cpl Aquar. Fount. 2
12	Aquarius Solar 700	53693	Rotor kpl. Solar 700	Impeller cpl. Solar 700
	Aquarius Solar 1500	53769	Rotor kpl. Solar 1500	Impeller cpl. Solar 1500

Produkt / Product  
56890 Atlantis Solar 28

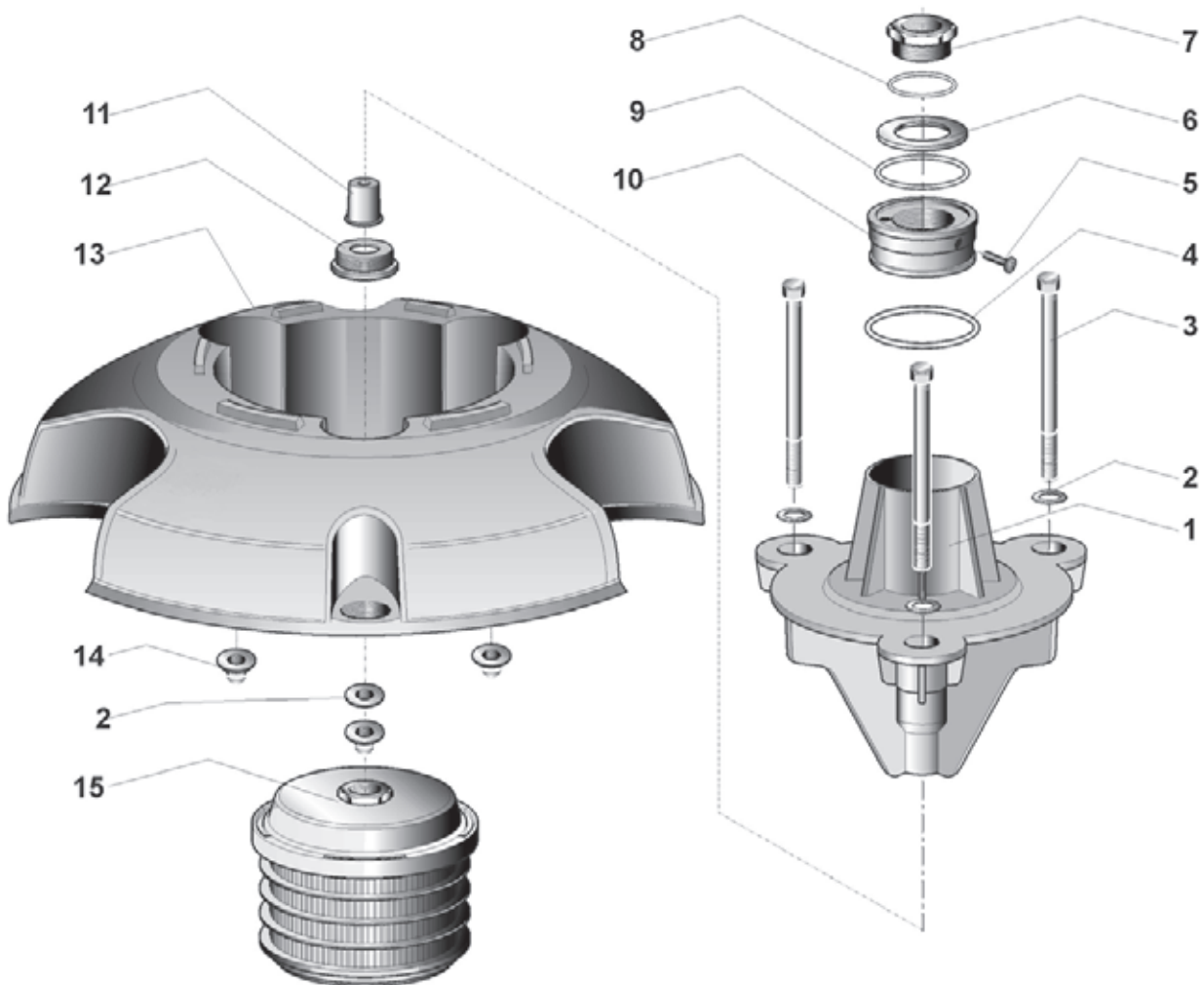


Pos.	Produkt / Product	Artikelnr. / Item no.	Ersatzteil	Spare part
1	Atlantis Solar 28	26929	Adapter Atlantis Solar 28	Adapter Atlantis Solar 28
2	Atlantis Solar 28	25450	Gummipuffer 1	Rubber pad 1
3	Atlantis Solar 28	24062	O-Ring SI 63,09 x 3,53 SH50-55 rot	O-Ring SI 63.09 x 3.53 SH50-55 red
4	Atlantis Solar 28	20911	Pumpengehäuse Aquarius 5000 E	Pump housing Aquarius 5000 E
5	Atlantis Solar 28	34814	Ersatz Anschluss-Kit Atlantis	Spare connection kit Atlantis
6	Atlantis Solar 28	34705	BG Absperrschieber	ASM gate valve
7	Atlantis Solar 28	35392	BG Rotor kpl. Atlantis Solar 28	ASM impeller cpl. Atlantis Solar 28
9	Atlantis Solar 28	16250	O-Ring NBR 65 x 3 SH70	O-Ring NBR 65 x 3 SH70

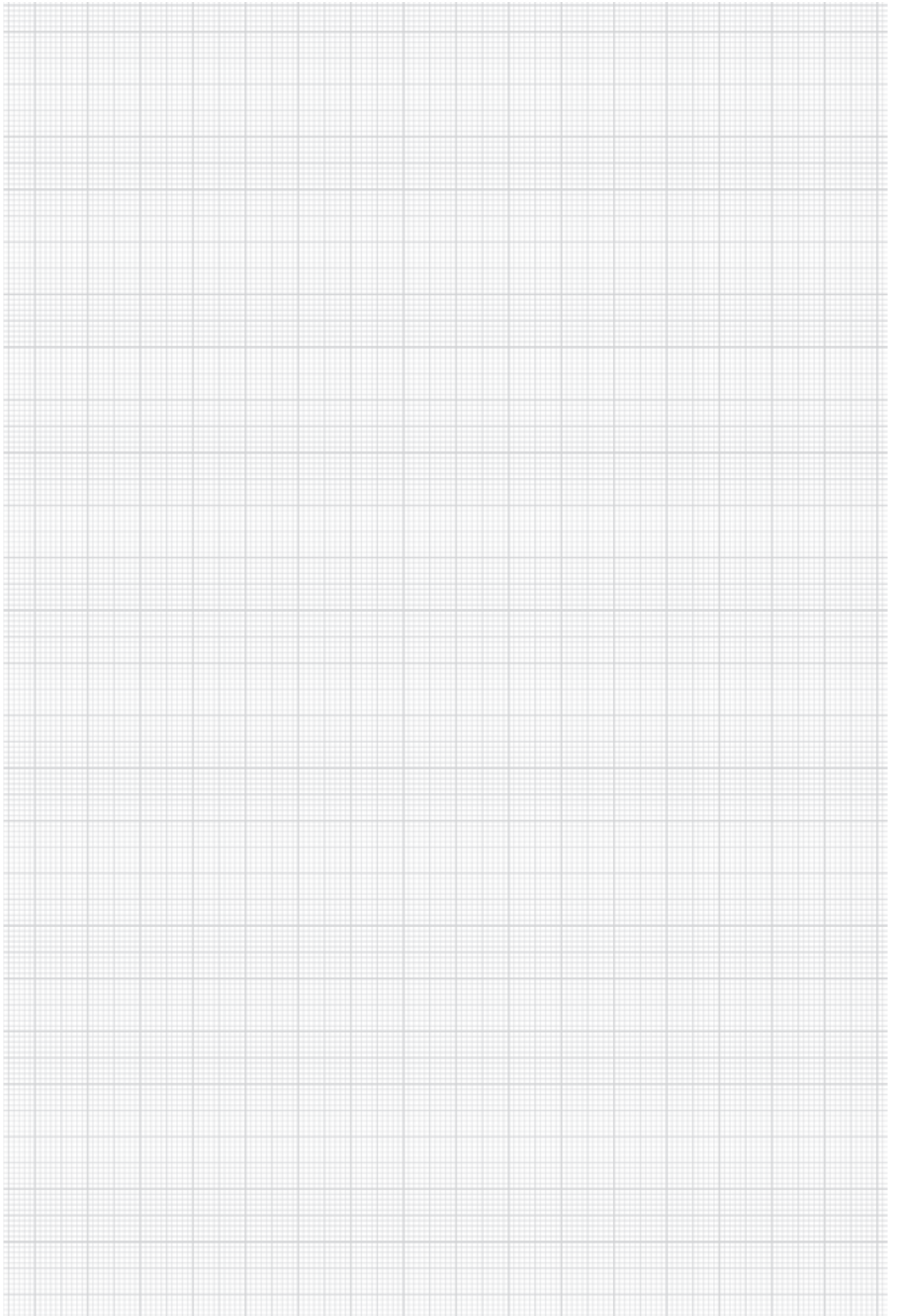
Produkt / Product

57075 PondJet

53777 PondJet



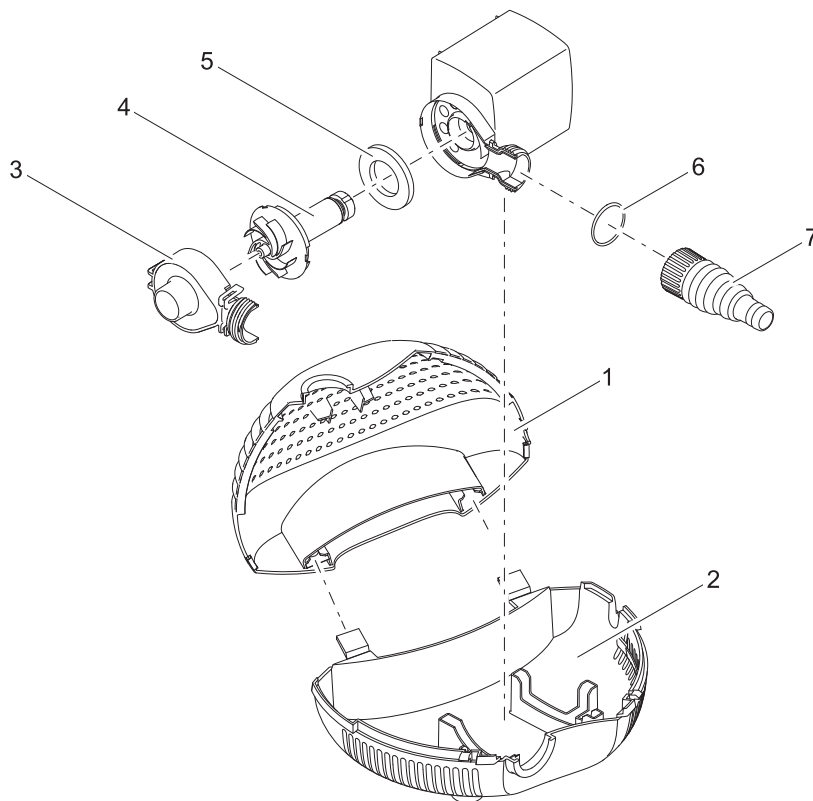
Pos.	Produkt / Product	Artikelnr. / Item no.	Ersatzteil	Spare part
1	PondJet	19279	Düsenkörper PondJet (m. Bohrung)	Fountain nozzle unit PondJet
2	PondJet	9848	Unterlegscheibe V2A DIN 9021 10,5	Washer V2A DIN 9021 10.5
3	PondJet	19288	Sechskantschraube V2A DIN 931 M8 x 130	Hexagon bolt V2A DIN 931 M8 x 130
4	PondJet	3579	O-Ring NBR 76 x 4 SH70	O-Ring NBR 76 x 4 SH70
5	PondJet	6018	Linsenschraube V2A DIN 964 5 x 16	Oval head screw V2A DIN 964 5 x 16
6	PondJet	19545	Lochscheibe PondJet	Washer PondJet
7	PondJet	19544	Stopfen G1 PondJet	Plug G1 PondJet
8	PondJet	13290	O-Ring NBR 33 x 3 SH70 schwarz	O-Ring NBR 33 x 3 SH70 black
9	PondJet	3578	O-Ring NBR 72 x 4 SH75	O-Ring NBR 72 x 4 SH75
10	PondJet	19282	Düseneinsatz Vulkan 12 PondJet	Fountain nozzle Vulkan 12 PondJet
11	PondJet	10035	Wasserberuhiger Komet 10-12 T / 14	Water stabilizer Komet 10-12 T / 14
12	PondJet	19280	Reduziernippel 2" NPT-links auf G1 1/4	Reducing nipple 2"- G 1 1/4
13	PondJet	17939	Schwimmkörper Mini-Anlage KSA3	Float Mini without foam
14	PondJet	6118	Hutmutter V2A DIN 1587 M8	Cap nut V2A M8
15	PondJet	35421	BG PondJet USP Classic 70	ASM PondJet USP Classic 70



Produkt / Product

57380 AquaMax 2000

56013 AquaMax 2000



Pos.	Produkt / Product	Artikelnr. / Item no.	Ersatzteil	Spare part
1	AquaMax 2000	35719	Oberschale AquaMax 2000	Top housing AquaMax 2000
2	AquaMax 2000	34507	Filtergehäuse Unterteil AquaMax 2000	Filter housing base AquaMax 2000
3	AquaMax 2000	34509	Pumpengehäuse AquaMax 2000	Pump housing AquaMax 2000
4	AquaMax 2000	34605	Ersatzrotor AquaMax 2000	Spare rotor AquaMax 2000
5	AquaMax 2000	24691	Filterschaum blau PPI 80 AquaMax 2000	Filter foam blue PPI 80 AquaMax 2000
6	AquaMax 2000	22298	O-Ring NBR 27 x 2,5 SH70 schwarz	O-Ring NBR 27 x 2.5 SH70 black
7	AquaMax 2000	23642	Stufenschlauchtülle mit Muffe kpl. G1	Stepped hose tail with bush cpl. G1

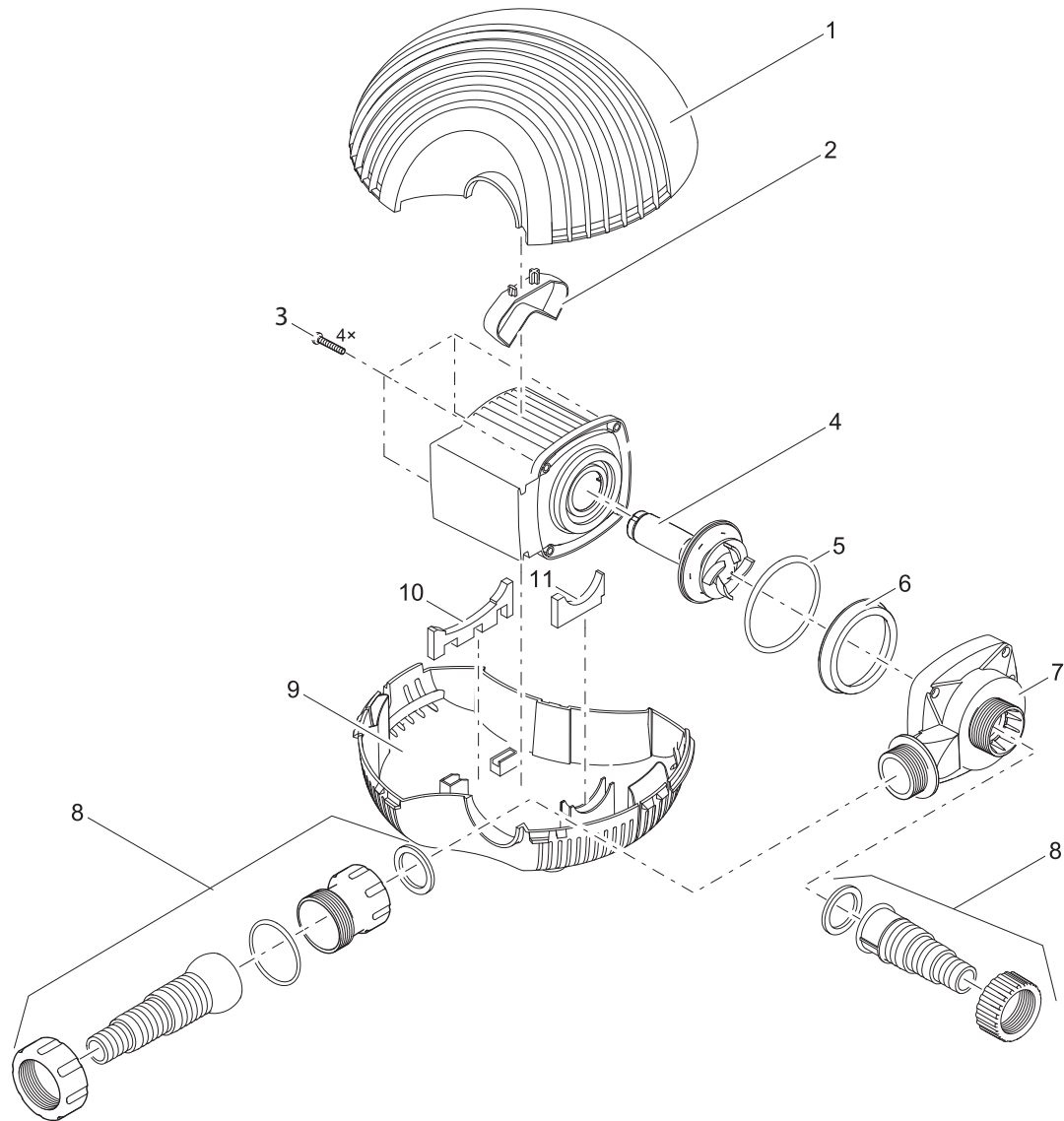


Produkt / Product

50071 AquaMax Eco 3500

50072 AquaMax Eco 5500

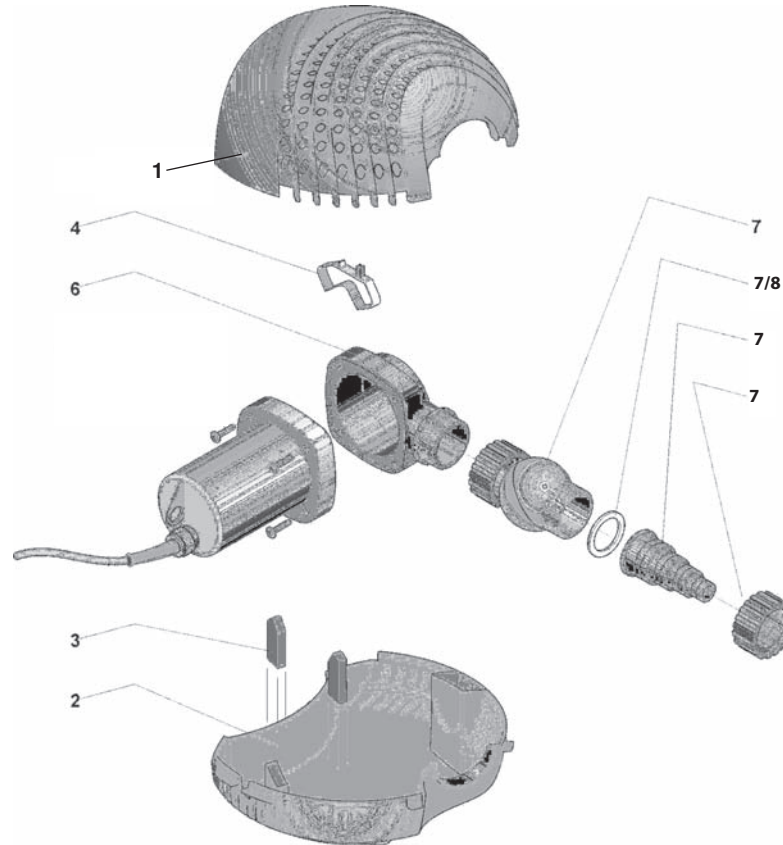
50073 AquaMax Eco 8500



Pos.	Produkt / Product	Artikelnr. / Item no.	Ersatzteil	Spare part
1	AquaMax Eco 3500 - 8500	35720	Oberschale AquaMax 3500-8500	Top housing AquaMax 3500-8500
2	AquaMax Eco 3500 - 8500	33050	Klemmfeder AquaMax	Clamp spring AquaMax
3	AquaMax Eco 3500	6055	Linsenschraube V2A DIN 7985 M5 x 20 H	Oval head screw V2A DIN 7985 M5 x 20 H
	AquaMax Eco 5500	6055	Linsenschraube V2A DIN 7985 M5 x 20 H	Oval head screw V2A DIN 7985 M5 x 20 H
	AquaMax Eco 8500	9957	Linsenschraube V2A DIN 7985 M5 x 30	Oval head screw V2A DIN 7985 M5 x 30
4	AquaMax Eco 3500	11654	Ersatzrotor AquaMax Eco 3500	Spare rotor AquaMax Eco 3500
	AquaMax Eco 5500	11657	Ersatzrotor AquaMax Eco 5500	Spare rotor AquaMax Eco 5500
	AquaMax Eco 8500	11653	Ersatzrotor AquaMax Eco 8500	Spare rotor AquaMax Eco 8500
5	AquaMax Eco 3500	25969	O-Ring NBR 60 x 2,5 SH70 A	O-Ring NBR 60 x 2.5 SH70 A
	AquaMax Eco 5500	25969	O-Ring NBR 60 x 2,5 SH70 A	O-Ring NBR 60 x 2.5 SH70 A
	AquaMax Eco 8500	28539	O-Ring NBR 78 x 4,3 SH70	O-Ring NBR 78 x 4.3 SH70
6	AquaMax Eco 8500	28125	Haltering AquaMax Eco / Gravity Eco	Holder ring AquaMax Eco / Gravity Eco
7	AquaMax Eco 3500	11825	Ersatz Pumpengehäuse AquaMax 3500-5500	Spare pump housing AquaMax 3500-5500
	AquaMax Eco 5500	11825	Ersatz Pumpengehäuse AquaMax 3500-5500	Spare pump housing AquaMax 3500-5500
	AquaMax Eco 8500	11824	Ersatz Pumpengehäuse AquaMax 8500	Spare pump housing AquaMax 8500
8	AquaMax Eco 3500 - 8500	10515	Beipack AquaMax Start Eco	Additional pack AquaMax Start Eco
9	AquaMax Eco 3500 - 8500	20629	Unterschale Filter AquaMax	Base filter housing AquaMax
10	AquaMax Eco 3500	10460	Gummipuffer hinten EC mini	Rubber pad back EC mini
	AquaMax Eco 5500	10460	Gummipuffer hinten EC mini	Rubber pad back EC mini
	AquaMax Eco 8500	10356	Gummipuffer hinten AquaMax 8500	Rubber pad back AquaMax 8500
11	AquaMax Eco 3500 - 8500	10382	Gummipuffer vorne AquaMax Start Eco	Rubber pad front AquaMax Start Eco

Produkt / Product

- 57381 AquaMax 3500
- 54932 AquaMax 3500
- 54285 AquaMax 5500
- 57382 AquaMax 5500
- 57383 AquaMax 8500
- 54286 AquaMax 10000
- 54287 AquaMax 15000



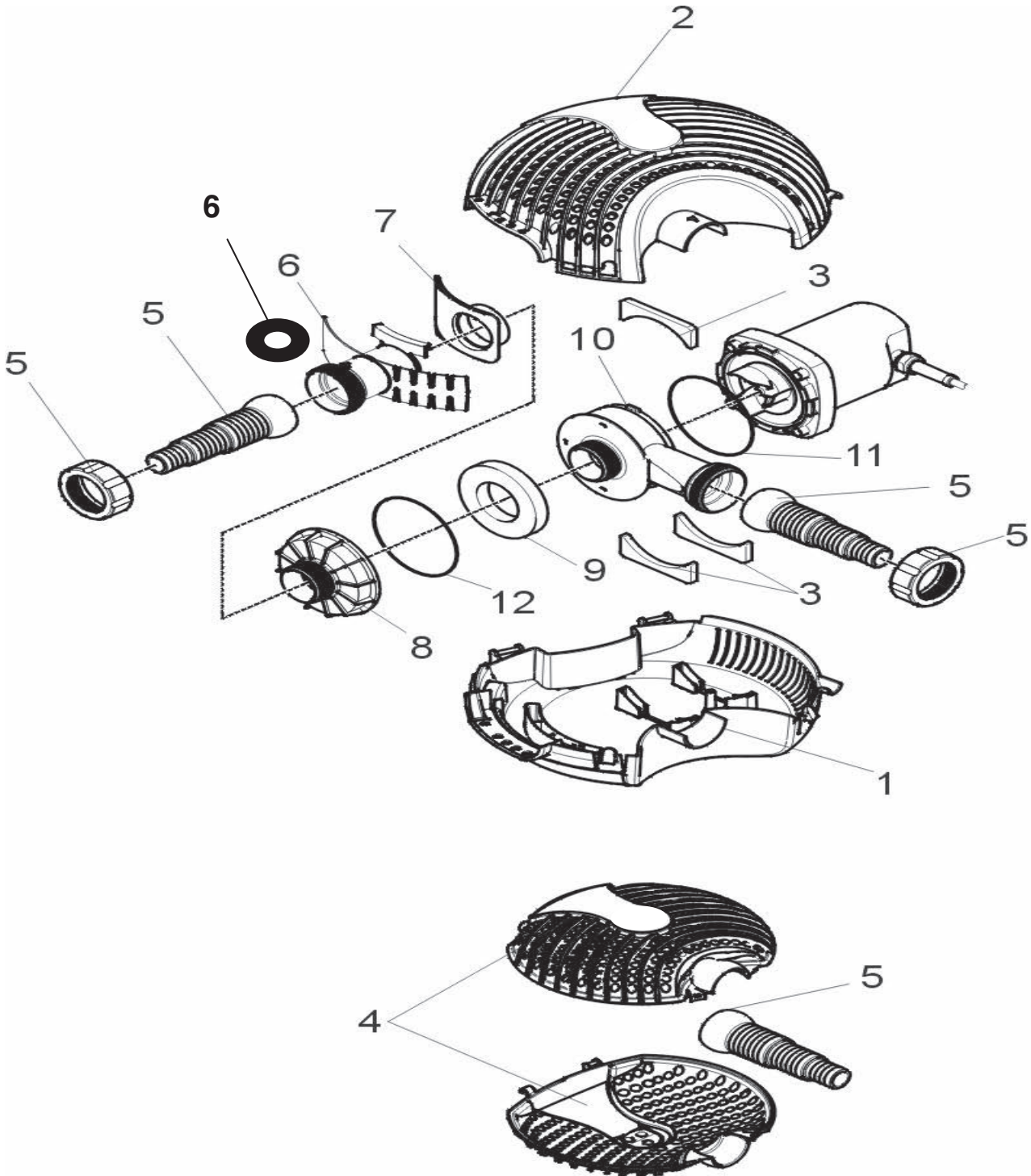
Pos.	Produkt / Product	Artikelnr. / Item no.	Ersatzteil	Spare part
1	AquaMax 3500 - 15000	35720	Oberschale AquaMax 3500-8500	Top housing AquaMax 3500-8500
2	AquaMax 3500 - 15000	20629	Unterschale Filter AquaMax	Base filter housing AquaMax
3	AquaMax 3500 - 15000	20797	Steckpuffer unten AquaMax neu	Push pad base AquaMax new
4	AquaMax 3500 - 15000	33050	Klemmfeder AquaMax	Clamp spring AquaMax
6	AquaMax 3500	19175	Pumpengehäuse AquaMax 3500-10000	Pump housing AquaMax 3500-10000
	AquaMax 3500	19175	Pumpengehäuse AquaMax 3500-10000	Pump housing AquaMax 3500-10000
	AquaMax 5500	19175	Pumpengehäuse AquaMax 3500-10000	Pump housing AquaMax 3500-10000
	AquaMax 5500	19175	Pumpengehäuse AquaMax 3500-10000	Pump housing AquaMax 3500-10000
	AquaMax 8500	19175	Pumpengehäuse AquaMax 3500-10000	Pump housing AquaMax 3500-10000
	AquaMax 10000	19175	Pumpengehäuse AquaMax 3500-10000	Pump housing AquaMax 3500-10000
	AquaMax 15000	20041	Pumpengehäuse AquaMax 15000	Pump housing AquaMax 15000
7	AquaMax 3500 - 15000	29297	Beipack AquaMax 3500-15000	Additional pack AquaMax 3500-15000
8	AquaMax 3500 - 15000	19491	Flachdichtung Tülle 1 1/2"	Flat gasket hose tail 1 1/2"

Produkt / Product

- 56571 AquaMax 4000
- 56572 AquaMax 6000
- 56574 AquaMax 12000
- 56656 AquaMax 16000

FILTER- & BACHLAUFPUMPEN / FILTER- & WATERCOURSE PUMPS

AQUAMAX



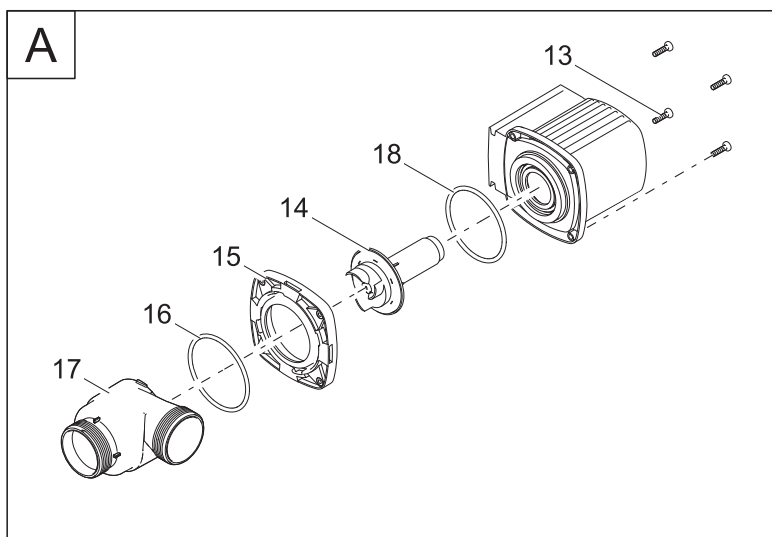
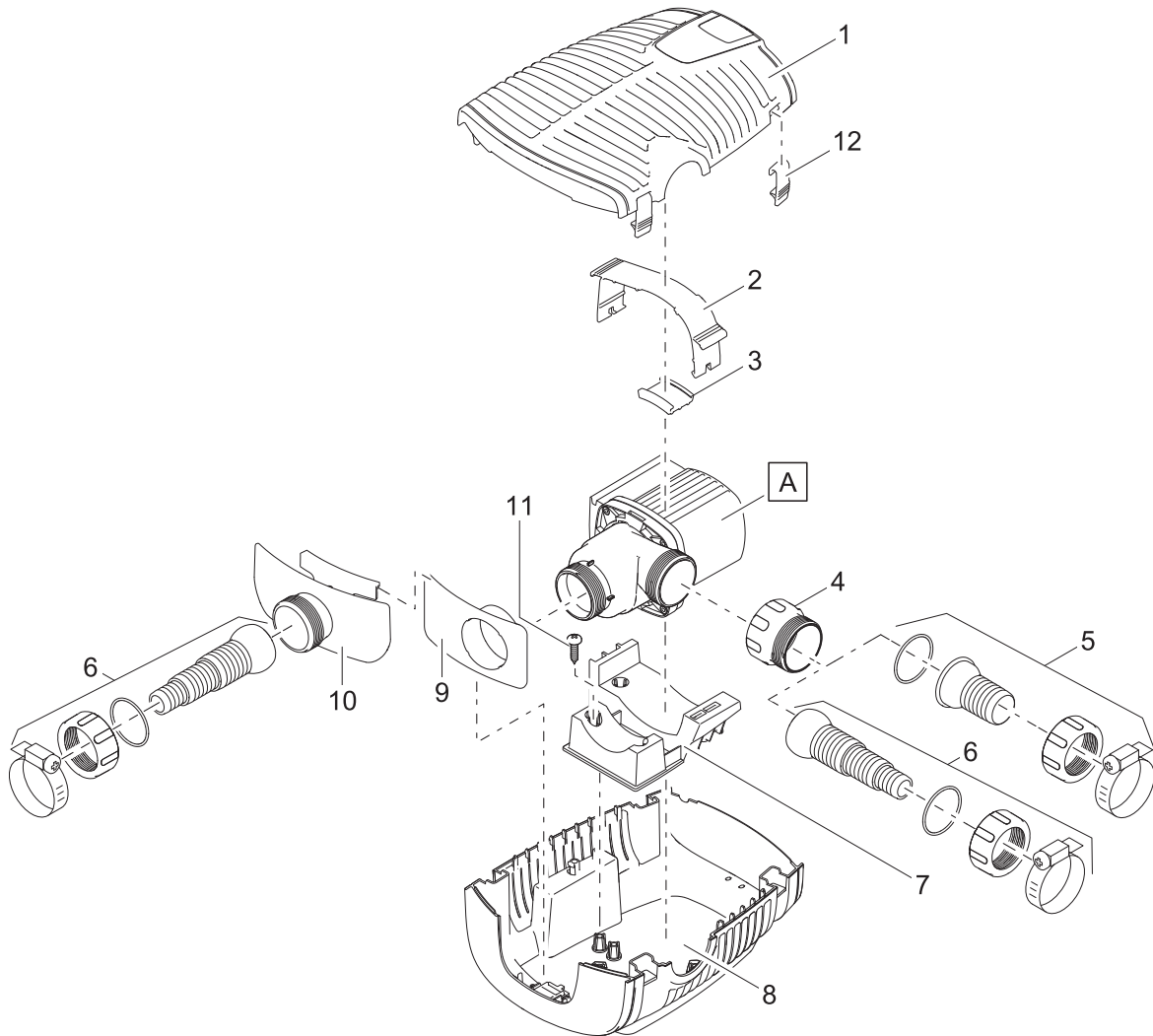
Pos.	Produkt / Product	Artikelnr. / Item no.	Ersatzteil	Spare part
1	AquaMax 4000 - 16000	34944	Unterschale AquaMax 03	Base filter housing AquaMax 03
2	AquaMax 4000 - 16000	34948	Oberschale AquaMax 03	Top housing AquaMax 03
3	AquaMax 4000	25450	Gummipuffer 1	Rubber pad 1
	AquaMax 6000	25450	Gummipuffer 1	Rubber pad 1
	AquaMax 12000	25451	Gummipuffer 2	Rubber pad 2
	AquaMax 16000	25451	Gummipuffer 2	Rubber pad 2
4	AquaMax 4000 - 16000	34946	Satelitenfilterschale	Satellite filter shell
5	AquaMax 4000 - 16000	34951	Beipack Anschluss Kit AquaMax 03	Add. pack kit AquaMax 03
6	AquaMax 4000 - 16000	34947	Regler AquaMax 03 incl. 2" Kappe	Regulator AquaMax 03 incl. 2" cap
7	AquaMax 4000 - 16000	34945	Saugadapter AquaMax 03	Suction adapter AquaMax 03
8	AquaMax 4000	34949	Frostschutzgehäuse 2-1 AquaMax 03	Anti-freeze housing 2-1 AquaMax 03
	AquaMax 6000	34949	Frostschutzgehäuse 2-1 AquaMax 03	Anti-freeze housing 2-1 AquaMax 03
	AquaMax 12000	34961	Frostschutzgehäuse 2-2 AquaMax 03	Anti-freeze housing 2-2 AquaMax 03
	AquaMax 16000	34961	Frostschutzgehäuse 2-2 AquaMax 03	Anti-freeze housing 2-2 AquaMax 03
9	AquaMax 4000	26002	Frostschuttschaum 2-1	Anti-freezing foam 2-1
	AquaMax 6000	26002	Frostschuttschaum 2-1	Anti-freezing foam 2-1
	AquaMax 12000	26003	Frostschuttschaum 2-2	Anti-freezing foam 2-2
	AquaMax 16000	26003	Frostschuttschaum 2-2	Anti-freezing foam 2-2
10	AquaMax 4000	35007	Pumpengehäuse frosts. 2-1 D22	Pump housing anti-freeze 2-1 D22
	AquaMax 6000	35009	Pumpengehäuse frosts. 2-1 D31,5	Pump housing anti-freeze 2-1 D31.5
	AquaMax 12000	35011	Pumpengehäuse frosts. 2-2 D31,5	Pump housing anti-freeze 2-2 D31.5
	AquaMax 16000	35012	Pumpengehäuse frosts. 2-2 D40	Pump housing anti-freeze 2-2 D40
11	AquaMax 4000	25613	O-Ring NBR 80 x 3,5 SH55	O-Ring NBR 80 x 3.5 SH55
	AquaMax 6000	25613	O-Ring NBR 80 x 3,5 SH55	O-Ring NBR 80 x 3.5 SH55
	AquaMax 12000	3635	O-Ring SI 76 x 4 SH50 rot/BR.	O-Ring SI 76 x 4 SH50 red/BR.
	AquaMax 16000	3635	O-Ring SI 76 x 4 SH50 rot/BR.	O-Ring SI 76 x 4 SH50 red/BR.
12	AquaMax 4000	3580	O-Ring NBR 80 x 3 SH75	O-Ring NBR 80 x 3 SH75
	AquaMax 6000	3580	O-Ring NBR 80 x 3 SH75	O-Ring NBR 80 x 3 SH75
	AquaMax 12000	3594	O-Ring NBR 100 x 4 SH75	O-Ring NBR 100 x 4 SH75
	AquaMax 16000	3594	O-Ring NBR 100 x 4 SH75	O-Ring NBR 100 x 4 SH75

Produkt / Product

50734 AquaMax Eco Premium 4000

50736 AquaMax Eco Premium 6000

50740 AquaMax Eco Premium 8000

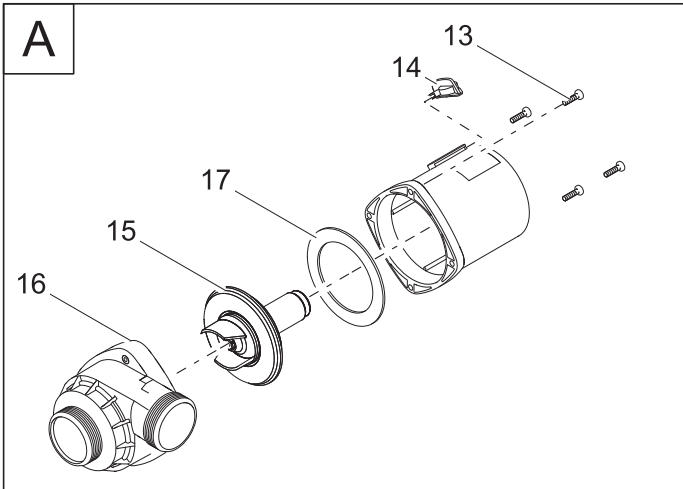
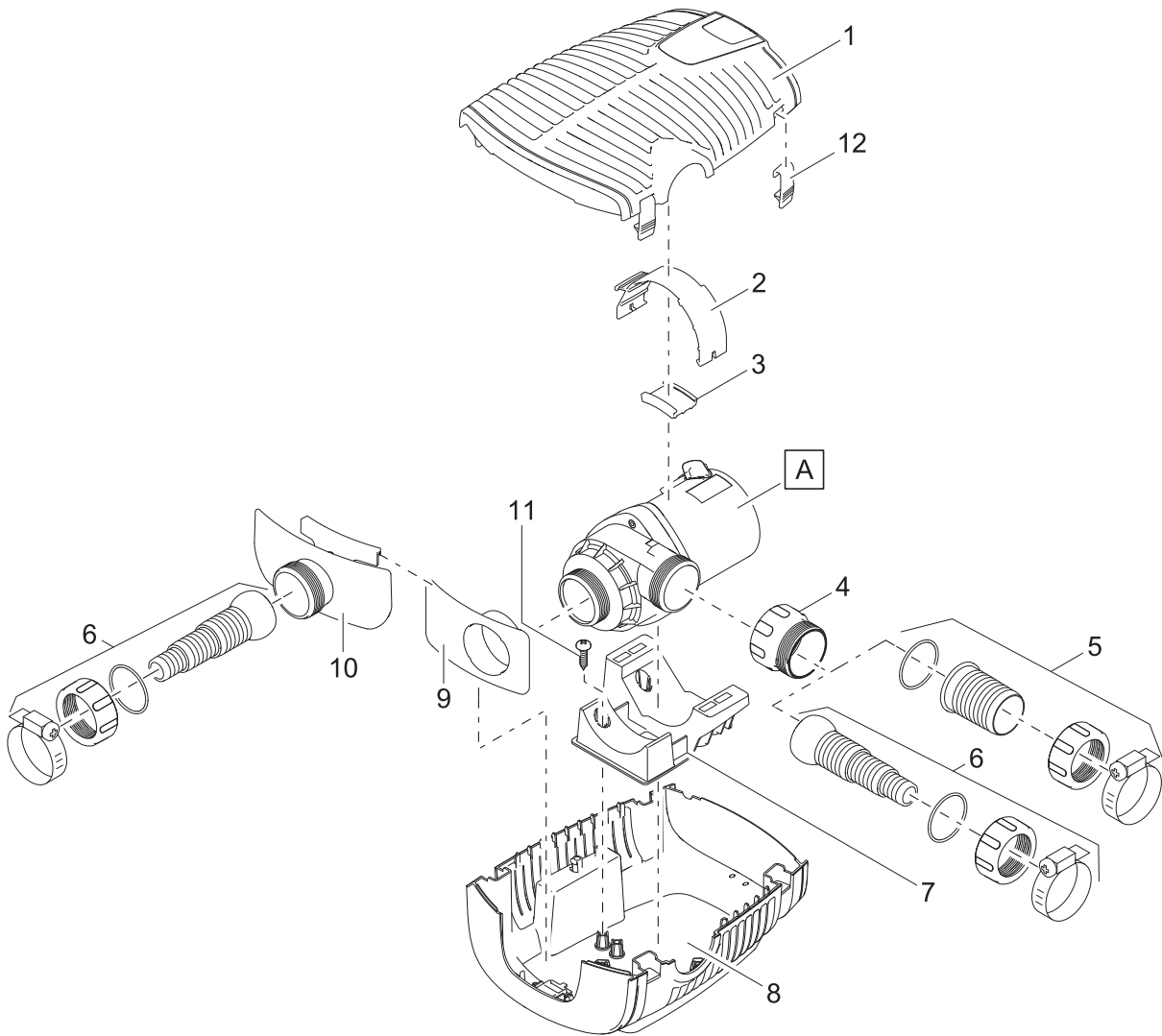


Pos.	Produkt / Product	Artikelnr. / Item no.	Ersatzteil	Spare part
1	AquaMax Eco Premium 4000 - 8000	17963	Ersatz Filterschale oben AquaMax Eco Pr	<i>Spare filter housing top AquaMax Eco Pr</i>
2	AquaMax Eco Premium 4000 - 8000	16961	Pumpenhalter EC1 AquaMax Pro	<i>Pump holder EC1 AquaMax Pro</i>
3	AquaMax Eco Premium 4000 - 8000	17232	Gummieinsatz AquaMax Pro	<i>Rubber part AquaMax Pro</i>
4	AquaMax Eco Premium 4000 - 8000	16859	Adapter 2"	<i>Adapter 2"</i>
5	AquaMax Eco Premium 4000 - 8000	17064	Beipack AquaMax Eco Premium 4000-8000	<i>Add. pack AquaMax Eco Premium 4000-8000</i>
6	AquaMax Eco Premium 4000 - 8000	17272	Beipack AquaMax Eco Premium	<i>Add. pack AquaMax Eco Premium</i>
7	AquaMax Eco Premium 4000 - 8000	16961	Pumpenhalter EC1 AquaMax Pro	<i>Pump holder EC1 AquaMax Pro</i>
8	AquaMax Eco Premium 4000 - 8000	17962	Ersatz Filterschale unten AquaMax Eco Pr	<i>Spare filter housing base AquaMax Eco Pr</i>
9	AquaMax Eco Premium 4000 - 8000	16867	Saugadapter AquaMax Pro	<i>Suction adapter AquaMax Pro</i>
10	AquaMax Eco Premium 4000 - 8000	16866	Regler AquaMax Pro	<i>Regulator AquaMax Pro</i>
11	AquaMax Eco Premium 4000 - 8000	4 x 22853	Linsenschraube V2A DIN 7981 4,8 x 19	<i>Oval head screw V2A DIN 7981 4.8 x 19</i>
12	AquaMax Eco Premium 4000 - 8000	16894	Clip AquaMax Pro	<i>Clip AquaMax Pro</i>
13	AquaMax Eco Premium 4000 - 8000	4 x 6055	Linsenschraube V2A DIN 7985 M5 x 20 H	<i>Oval head screw V2A DIN 7985 M5 x 20 H</i>
14	AquaMax Eco Premium 4000 - 8000	17964	Ersatzrotor AquaMax Eco Pre. 4000-8000	<i>Spare rotor AquaMax Eco Pre. 4000 - 8000</i>
15	AquaMax Eco Premium 4000 - 8000	35468	BG Zwischengehäuse EC1 vormontiert	<i>ASM inside housing EC1 pre-assembled</i>
16	AquaMax Eco Premium 4000 - 8000	28539	O-Ring NBR 78 x 4,3 SH70	<i>O-Ring NBR 78 x 4.3 SH70</i>
17	AquaMax Eco Premium 4000	17966	Ersatzpumpengeh. AquaMax Eco Prem. 4000	<i>Spare pump housing AquaMax Eco Pr. 4000</i>
	AquaMax Eco Premium 6000	17967	Ersatzpumpengeh. AquaMax Eco Prem. 6000	<i>Spare pump housing AquaMax Eco Pr. 6000</i>
	AquaMax Eco Premium 8000	17968	Ersatzpumpengeh. AquaMax Eco Prem. 8000	<i>Spare pump housing AquaMax Eco Pr. 8000</i>
18	AquaMax Eco Premium 4000 - 8000	28539	O-Ring NBR 78 x 4,3 SH70	<i>O-Ring NBR 78 x 4.3 SH70</i>

Produkt / Product

50742 AquaMax Eco Premium 12000

50745 AquaMax Eco Premium 16000

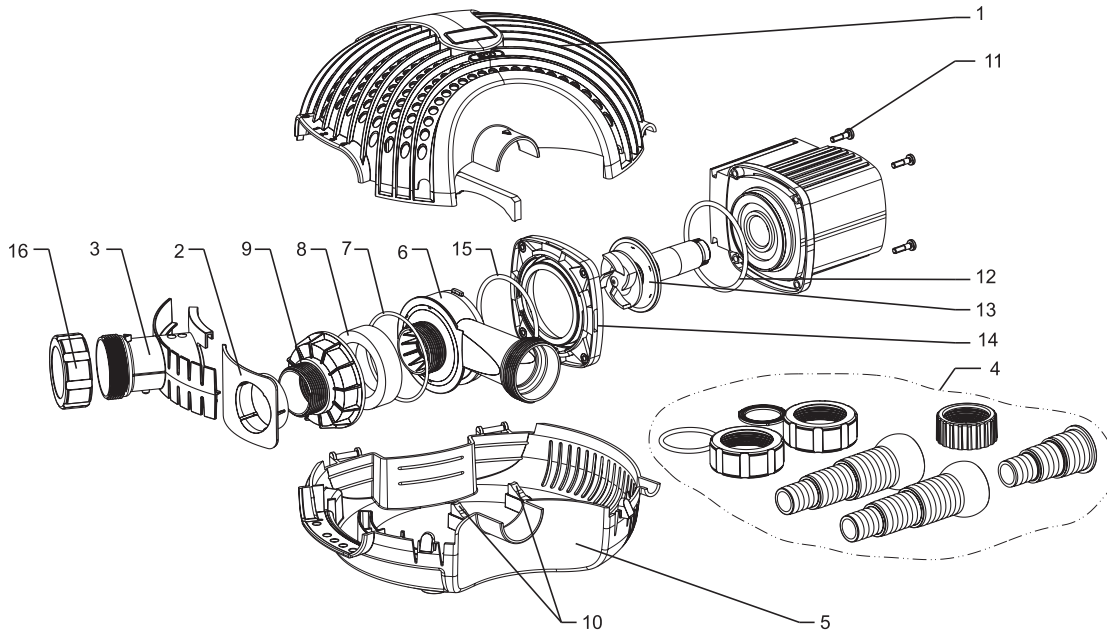




Pos.	Produkt / Product	Artikelnr. / Item no.	Ersatzteil	Spare part
1	AquaMax Eco Premium 12000 - 16000	17963	Ersatz Filterschale oben AquaMax Eco Pr	<i>Spare filter housing top AquaMax Eco Pr</i>
2	AquaMax Eco Premium 12000 - 16000	16982	Klammer EC2	<i>Clamp EC2</i>
3	AquaMax Eco Premium 12000 - 16000	17232	Gummieinsatz AquaMax Pro	<i>Rubber part AquaMax Pro</i>
4	AquaMax Eco Premium 12000 - 16000	16859	Adapter 2"	<i>Adapter 2"</i>
5	AquaMax Eco Premium 12000 - 16000	17069	Beipack AquaMax Eco Premium 12000-16000	<i>Add. pack AquaMax Eco Premium12000-16000</i>
6	AquaMax Eco Premium 12000 - 16000	17272	Beipack AquaMax Eco Premium	<i>Add. pack AquaMax Eco Premium</i>
7	AquaMax Eco Premium 12000 - 16000	16956	Pumpenhalter EC2 AquaMax Pro	<i>Pump holder EC2 AquaMax Pro</i>
8	AquaMax Eco Premium 12000 - 16000	17962	Ersatz Filterschale unten AquaMax Eco Pr	<i>Spare filter housing base AquaMax Eco Pr</i>
9	AquaMax Eco Premium 12000 - 16000	16867	Saugadapter AquaMax Pro	<i>Suction adapter AquaMax Pro</i>
10	AquaMax Eco Premium 12000 - 16000	16866	Regler AquaMax Pro	<i>Regulator AquaMax Pro</i>
11	AquaMax Eco Premium 12000 - 16000	4 x 22853	Linsenschraube V2A DIN 7981 4,8 x 19	<i>Oval head screw V2A DIN 7981 4.8 x 19</i>
12	AquaMax Eco Premium 12000 - 16000	16894	Clip AquaMax Pro	<i>Clip AquaMax Pro</i>
13	AquaMax Eco Premium 12000 - 16000	4 x 6055	Linsenschraube V2A DIN 7985 M5 x 20 H	<i>Oval head screw V2A DIN 7985 M5 x 20 H</i>
14	AquaMax Eco Premium 12000 - 16000	35763	BG Schieber Varionaut 2	<i>ASM slider Varionaut 2</i>
15	AquaMax Eco Premium 12000 - 16000	17965	Ersatzrotor AquaMax Eco Pre. 12000-16000	<i>Spare rotor AquaMax Eco Pre. 12000-16000</i>
16	AquaMax Eco Premium 12000	17969	Ersatzpumpengeh. AquaMax Eco Prem. 12000	<i>Spare pump housing AquaMax Eco Pr. 12000</i>
	AquaMax Eco Premium 16000	17970	Ersatzpumpengeh. AquaMax Eco Prem. 16000	<i>Spare pump housing AquaMax Eco Pr. 16000</i>
17	AquaMax Eco Premium 12000 - 16000	17513	Flachdichtung 107 x 78 x 2,5 USP 16 hell	<i>Flat gasket 107 x 78 x 2.5 USP 16 light</i>

Produkt / Product

- 57107 AquaMax Eco 4000
- 57352 AquaMax Eco R 4000
- 57108 AquaMax Eco 6000
- 57354 AquaMax Eco R 6000
- 57109 AquaMax Eco 8000
- 57356 AquaMax Eco R 8000
- 57358 AquaMax Eco 12000
- 57361 AquaMax Eco 16000



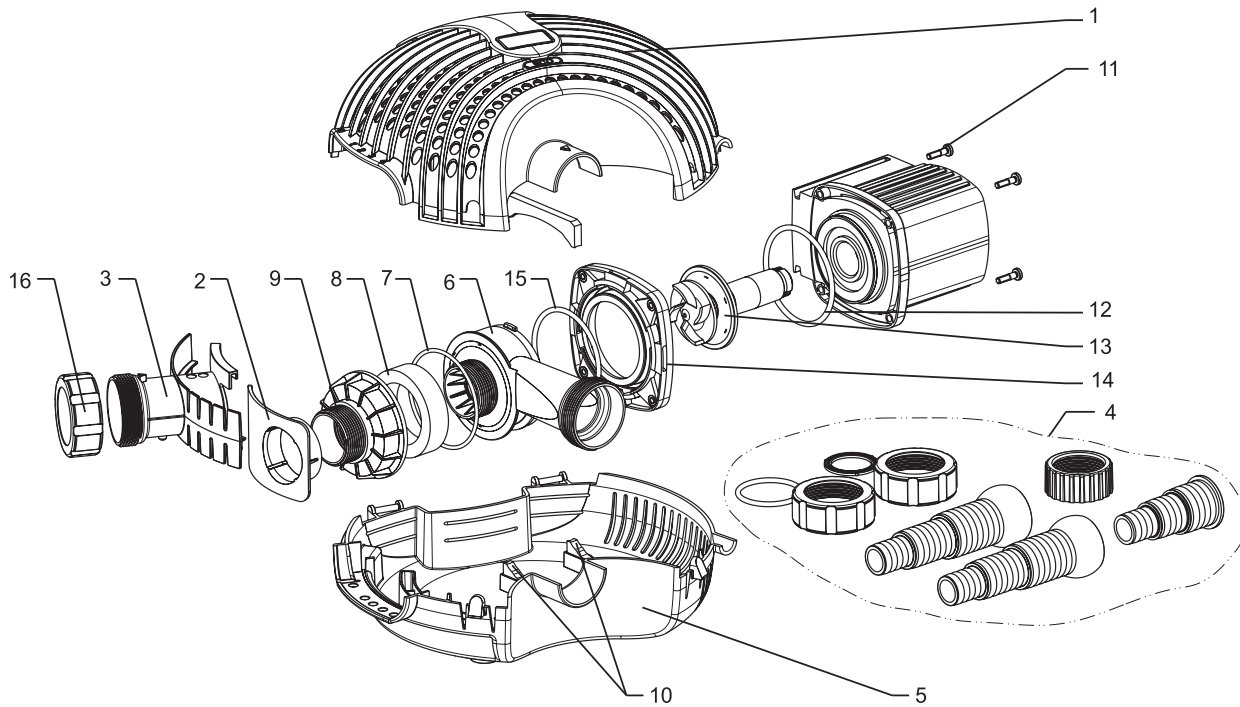
Pos.	Produkt / Product	Artikelnr. / Item no.	Ersatzteil	Spare part
1	AquaMax Eco 4000 - 16000	34948	Oberschale AquaMax 03	Top housing AquaMax 03
2	AquaMax Eco 4000 - 16000	34945	Saugadapter AquaMax 03	Suction adapter AquaMax 03
3	AquaMax Eco 4000 - 16000	34947	Regler AquaMax 03 incl. 2" Kappe	Regulator AquaMax 03 incl. 2" cap
4	AquaMax Eco 4000	35459	Beipack Anschluss Kit AquaMax Eco 4-8000	Add. pack kit AquaMax Eco 4000-8000
	AquaMax Eco R 4000	35459	Beipack Anschluss Kit AquaMax Eco 4-8000	Add. pack kit AquaMax Eco 4000-8000
	AquaMax Eco 6000	35459	Beipack Anschluss Kit AquaMax Eco 4-8000	Add. pack kit AquaMax Eco 4000-8000
	AquaMax Eco R 6000	35459	Beipack Anschluss Kit AquaMax Eco 4-8000	Add. pack kit AquaMax Eco 4000-8000
	AquaMax Eco 8000	35459	Beipack Anschluss Kit AquaMax Eco 4-8000	Add. pack kit AquaMax Eco 4000-8000
	AquaMax Eco R 8000	35459	Beipack Anschluss Kit AquaMax Eco 4-8000	Add. pack kit AquaMax Eco 4000-8000
	AquaMax Eco 12000	14847	Beipack Anschl. Kit AquaMax Eco 12-16000	Add. pack kit AquaMax Eco 12-16000
	AquaMax Eco 16000	14847	Beipack Anschl. Kit AquaMax Eco 12-16000	Add. pack kit AquaMax Eco 12-16000
5	AquaMax Eco 4000 - 16000	34944	Unterschale AquaMax 03	Base filter housing AquaMax 03
6	AquaMax Eco 4000	35460	Pumpengehäuse frosts. 2-1 D20	Pump housing anti-freeze 2-1 D20
	AquaMax Eco R 4000	35785	Pumpengehäuse frosts. 2-1 D25	Pump housing anti-freeze 2-1 D25
	AquaMax Eco 6000	35497	Pumpengehäuse frosts. 2-1 D22	Pump housing anti-freeze 2-1 D22
	AquaMax Eco R 6000	35774	Pumpengehäuse frosts. 2-1 D28	Pump housing anti-freeze 2-1 D28
	AquaMax Eco 8000	35785	Pumpengehäuse frosts. 2-1 D25	Pump housing anti-freeze 2-1 D25
	AquaMax Eco R 8000	35775	Pumpengehäuse frosts. 2-1 D30	Pump housing anti-freeze 2-1 D30
	AquaMax Eco 12000	28930	Pumpengehäuse EC2 12000 D30	Pump housing Varionaut 2 12000 D30
	AquaMax Eco 16000	29296	Pumpengehäuse EC2 16000 D33	Pump housing Varionaut 2 16000 D33
7	AquaMax Eco 4000 - 16000	3580	O-Ring NBR 80 x 3 SH75	O-Ring NBR 80 x 3 SH75
8	AquaMax Eco 4000 - 16000	26002	Frostschuttschaum 2-1	Anti-freezing foam 2-1
9	AquaMax Eco 4000 - 16000	34949	Frostschutzgehäuse 2-1 AquaMax 03	Anti-freeze housing 2-1 AquaMax 03
10	AquaMax Eco 4000 - 16000	27949	Gummipuffer AquaMax Eco	Rubber pad AquaMax Eco
11	AquaMax Eco 4000 - 16000	6055	Linsenschraube V2A DIN 7985 M5 x 20 H	Oval head screw V2A DIN 7985 M5 x 20 H
12	AquaMax Eco 4000 - 16000	28539	O-Ring NBR 78 x 4,3 SH70	O-Ring NBR 78 x 4.3 SH70
13	AquaMax Eco 4000	35513	Ersatzrotor kpl. AquaMax Eco 4000	Spare rotor cpl. AquaMax Eco 4000
	AquaMax Eco R 4000	35817	Ersatzrotor kpl. AquaMax Eco R 4000	Spare rotor cpl. AquaMax Eco R 4000
	AquaMax Eco 6000	35514	Ersatzrotor kpl. AquaMax Eco 6000	Spare rotor cpl. AquaMax Eco 6000
	AquaMax Eco R 6000	35787	Rotor kpl. AquaM. Eco 6000/8000/6000 12V	Impeller cpl. Aqm Eco 6000/8000/6000 12V
	AquaMax Eco 8000	35515	Ersatzrotor kpl. AquaMax Eco 8000	Spare rotor cpl. AquaMax Eco 8000
	AquaMax Eco R 8000	35787	Rotor kpl. AquaM. Eco 6000/8000/6000 12V	Impeller cpl. Aqm Eco 6000/8000/6000 12V
	AquaMax Eco 12000	35818	Ersatzrotor kpl. AquaMax Eco 12000-16000	Spare rotor cpl. AquaMax Eco 12000-16000
	AquaMax Eco 16000	35818	Ersatzrotor kpl. AquaMax Eco 12000-16000	Spare rotor cpl. AquaMax Eco 12000-16000
14	AquaMax Eco 4000	35468	BG Zwischengehäuse EC1 vormontiert	ASM inside housing EC1 pre-assembled
	AquaMax Eco R 4000	35468	BG Zwischengehäuse EC1 vormontiert	ASM inside housing EC1 pre-assembled
	AquaMax Eco 6000	35468	BG Zwischengehäuse EC1 vormontiert	ASM inside housing EC1 pre-assembled
	AquaMax Eco R 6000	35468	BG Zwischengehäuse EC1 vormontiert	ASM inside housing EC1 pre-assembled
	AquaMax Eco 8000	35468	BG Zwischengehäuse EC1 vormontiert	ASM inside housing EC1 pre-assembled
	AquaMax Eco R 8000	35468	BG Zwischengehäuse EC1 vormontiert	ASM inside housing EC1 pre-assembled
	AquaMax Eco 4000	3635	O-Ring SI 76 x 4 SH50 rot/BR.	O-Ring SI 76 x 4 SH50 red/BR.
15	AquaMax Eco R 4000	3635	O-Ring SI 76 x 4 SH50 rot/BR.	O-Ring SI 76 x 4 SH50 red/BR.
	AquaMax Eco 6000	3635	O-Ring SI 76 x 4 SH50 rot/BR.	O-Ring SI 76 x 4 SH50 red/BR.
	AquaMax Eco R 6000	3635	O-Ring SI 76 x 4 SH50 rot/BR.	O-Ring SI 76 x 4 SH50 red/BR.
	AquaMax Eco 8000	3635	O-Ring SI 76 x 4 SH50 rot/BR.	O-Ring SI 76 x 4 SH50 red/BR.
	AquaMax Eco R 8000	3635	O-Ring SI 76 x 4 SH50 rot/BR.	O-Ring SI 76 x 4 SH50 red/BR.
	AquaMax Eco 16000	25993	Schraubkappe 2"	Screw cap 2"

Produkt / Product

50302 AquaMax Eco CWS 4000

50303 AquaMax Eco CWS 6000

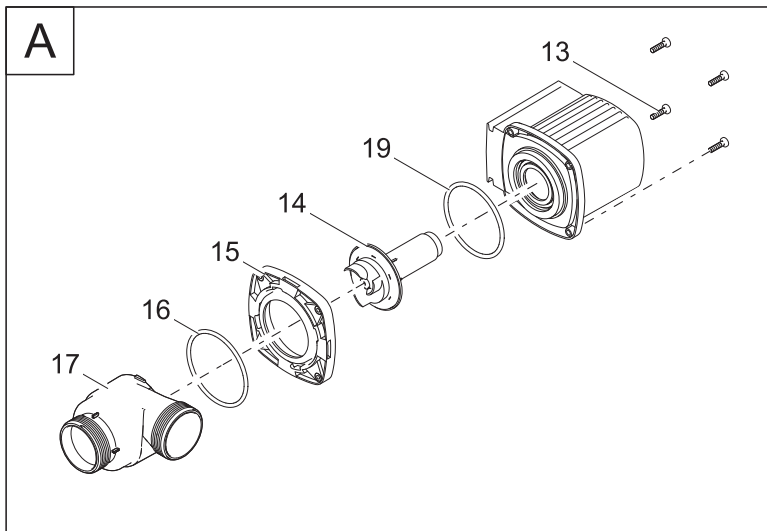
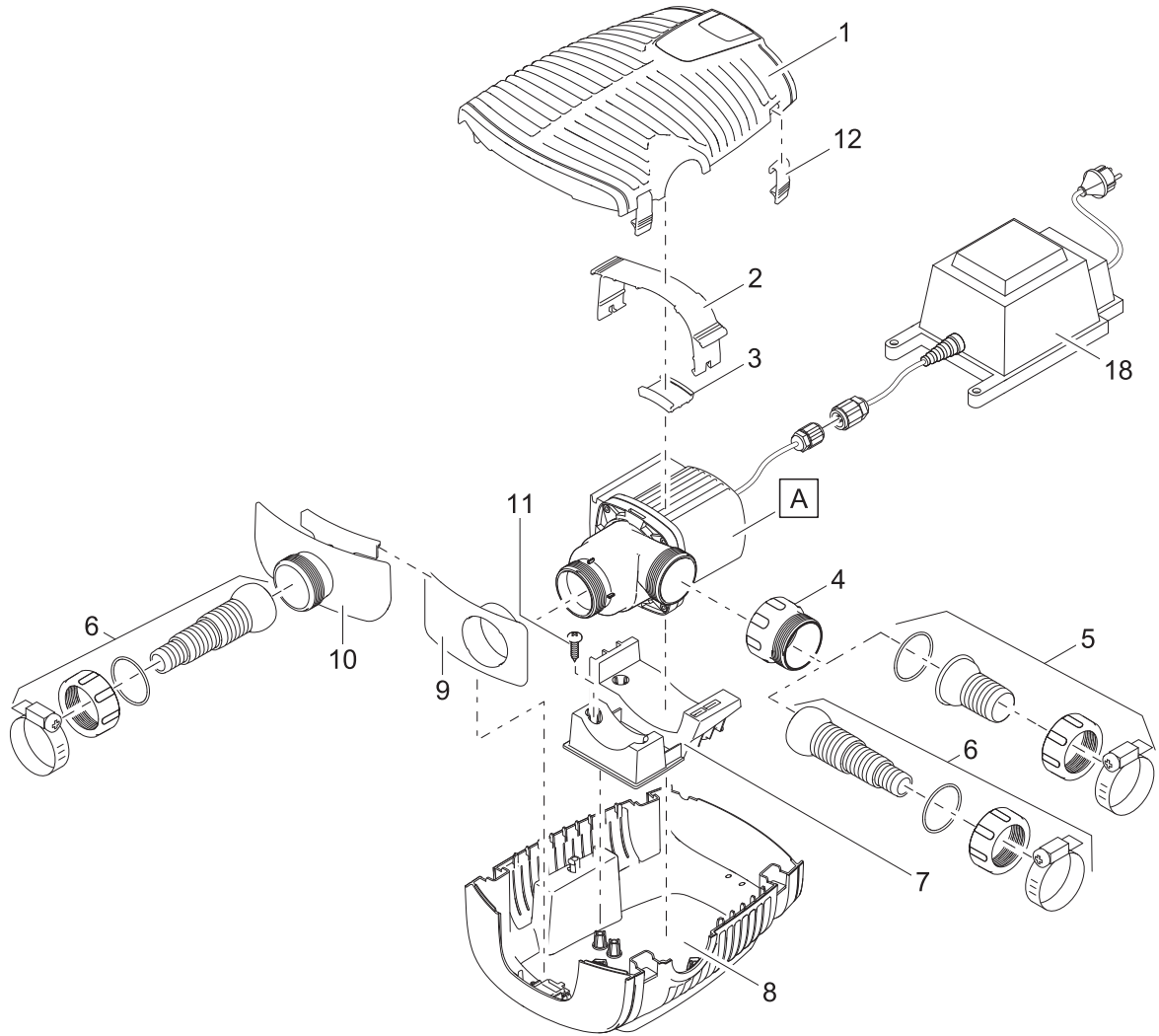
50304 AquaMax Eco CWS 8000



Pos.	Produkt / Product	Artikelnr. / Item no.	Ersatzteil	Spare part
1	AquaMax Eco CWS 4000 - 8000	34948	Oberschale AquaMax 03	Top housing AquaMax 03
2	AquaMax Eco CWS 4000 - 8000	34945	Saugadapter AquaMax 03	Suction adapter AquaMax 03
3	AquaMax Eco CWS 4000 - 8000	34947	Regler AquaMax 03 incl. 2" Kappe	Regulator AquaMax 03 incl. 2" cap
4	AquaMax Eco CWS 4000 - 8000	35459	Beipack Anschluss Kit AquaMax Eco 4-8000	Add. pack kit AquaMax Eco 4000-8000
5	AquaMax Eco CWS 4000 - 8000	34944	Unterschale AquaMax 03	Base filter housing AquaMax 03
6	AquaMax Eco CWS 4000	35460	Pumpengehäuse frosts. 2-1 D20	Pump housing anti-freeze 2-1 D20
	AquaMax Eco CWS 6000	35497	Pumpengehäuse frosts. 2-1 D22	Pump housing anti-freeze 2-1 D22
	AquaMax Eco CWS 8000	35785	Pumpengehäuse frosts. 2-1 D25	Pump housing anti-freeze 2-1 D25
7	AquaMax Eco CWS 4000 - 8000	3580	O-Ring NBR 80 x 3 SH75	O-Ring NBR 80 x 3 SH75
8	AquaMax Eco CWS 4000 - 8000	26002	Frostschutzschaum 2-1	Anti-freezing foam 2-1
9	AquaMax Eco CWS 4000 - 8000	34949	Frostschutzgehäuse 2-1 AquaMax 03	Anti-freeze housing 2-1 AquaMax 03
10	AquaMax Eco CWS 4000 - 8000	27949	Gummipuffer AquaMax Eco	Rubber pad AquaMax Eco
11	AquaMax Eco CWS 4000 - 8000	6055	Linsenschraube V2A DIN 7985 M5 x 20 H	Oval head screw V2A DIN 7985 M5 x 20 H
12	AquaMax Eco CWS 4000 - 8000	28539	O-Ring NBR 78 x 4,3 SH70	O-Ring NBR 78 x 4.3 SH70
13	AquaMax Eco CWS 4000	35513	Ersatzrotor kpl. AquaMax Eco 4000	Spare rotor cpl. AquaMax Eco 4000
	AquaMax Eco CWS 6000	35514	Ersatzrotor kpl. AquaMax Eco 6000	Spare rotor cpl. AquaMax Eco 6000
	AquaMax Eco CWS 8000	35515	Ersatzrotor kpl. AquaMax Eco 8000	Spare rotor cpl. AquaMax Eco 8000
14	AquaMax Eco CWS 4000 - 8000	35468	BG Zwischengehäuse EC1 vormontiert	ASM inside housing EC1 pre-assembled
15	AquaMax Eco CWS 4000 - 8000	3635	O-Ring SI 76 x 4 SH50 rot/BR.	O-Ring SI 76 x 4 SH50 red/BR.
16	AquaMax Eco CWS 4000 - 8000	25993	Schraubkappe 2"	Screw cap 2"

Produkt / Product

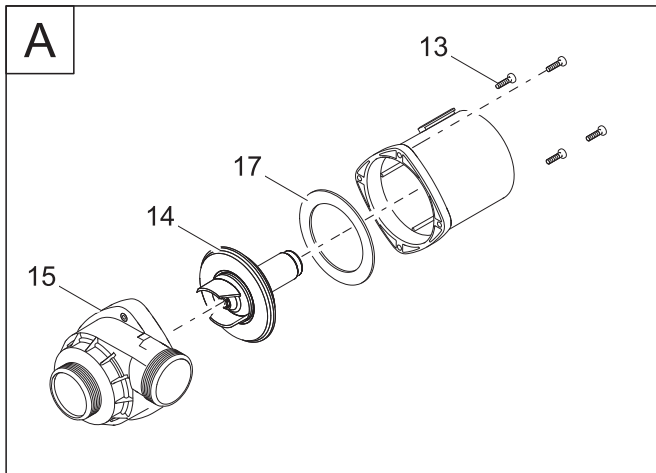
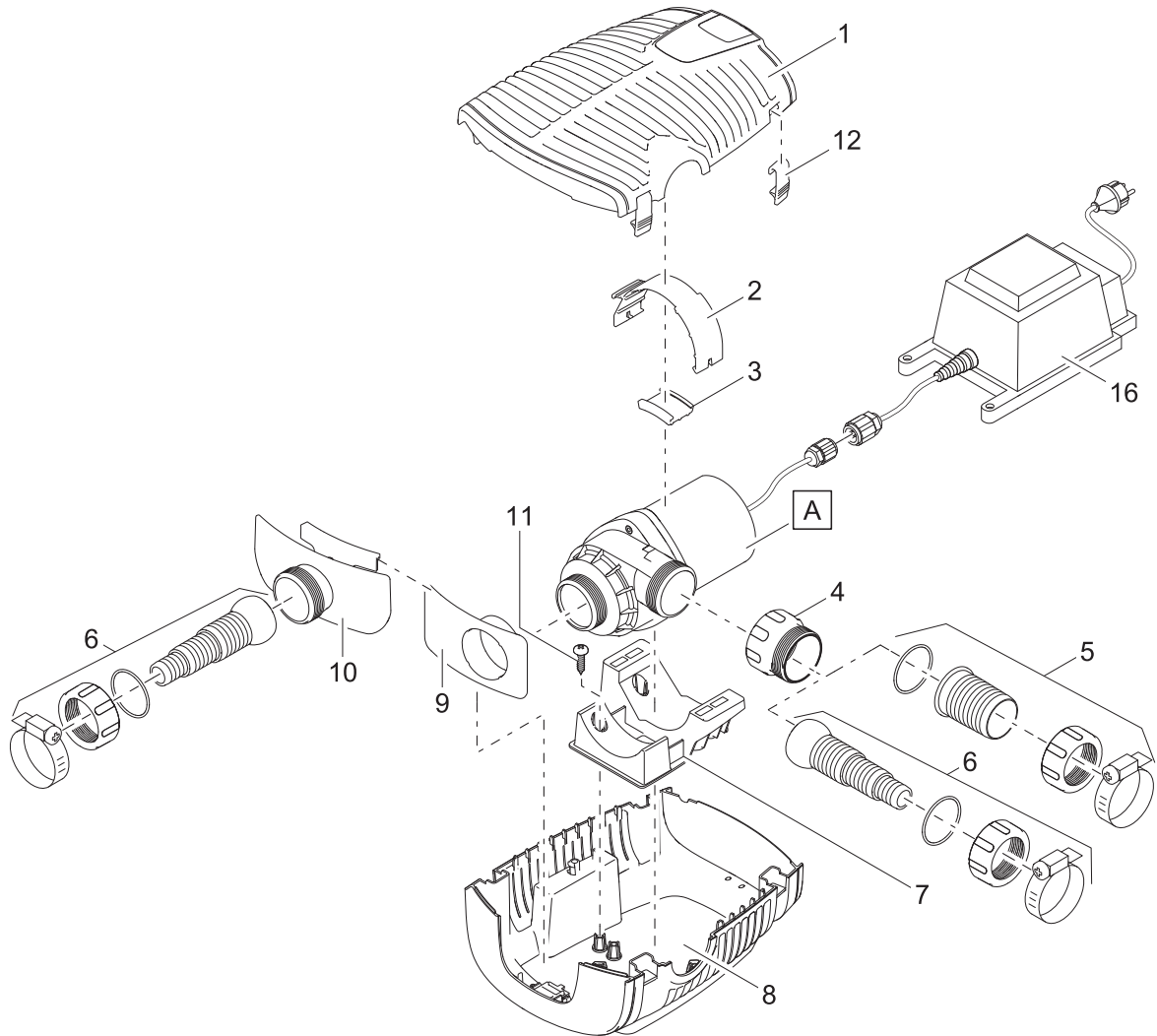
50730 AquaMax Eco Premium 6000 / 12 V



Pos.	Produkt / Product	Artikelnr. / Item no.	Ersatzteil	Spare part
1	AquaMax Eco Premium 6000 / 12 V	17963	Ersatz Filterschale oben AquaMax Eco Pr	<i>Spare filter housing top AquaMax Eco Pr</i>
2	AquaMax Eco Premium 6000 / 12 V	16961	Pumpenhalter EC1 AquaMax Pro	<i>Pump holder EC1 AquaMax Pro</i>
3	AquaMax Eco Premium 6000 / 12 V	17232	Gummieinsatz AquaMax Pro	<i>Rubber part AquaMax Pro</i>
4	AquaMax Eco Premium 6000 / 12 V	16859	Adapter 2"	<i>Adapter 2"</i>
5	AquaMax Eco Premium 6000 / 12 V	17064	Beipack AquaMax Eco Premium 4000-8000	<i>Add. pack AquaMax Eco Premium 4000-8000</i>
6	AquaMax Eco Premium 6000 / 12 V	17272	Beipack AquaMax Eco Premium	<i>Add. pack AquaMax Eco Premium</i>
7	AquaMax Eco Premium 6000 / 12 V	16961	Pumpenhalter EC1 AquaMax Pro	<i>Pump holder EC1 AquaMax Pro</i>
8	AquaMax Eco Premium 6000 / 12 V	17962	Ersatz Filterschale unten AquaMax Eco Pr	<i>Spare filter housing base AquaMax Eco Pr</i>
9	AquaMax Eco Premium 6000 / 12 V	16867	Saugadapter AquaMax Pro	<i>Suction adapter AquaMax Pro</i>
10	AquaMax Eco Premium 6000 / 12 V	16866	Regler AquaMax Pro	<i>Regulator AquaMax Pro</i>
11	AquaMax Eco Premium 6000 / 12 V	22853	Linsenschraube V2A DIN 7981 4,8 x 19	<i>Oval head screw V2A DIN 7981 4.8 x 19</i>
12	AquaMax Eco Premium 6000 / 12 V	16894	Clip AquaMax Pro	<i>Clip AquaMax Pro</i>
13	AquaMax Eco Premium 6000 / 12 V	6055	Linsenschraube V2A DIN 7985 M5 x 20 H	<i>Oval head screw V2A DIN 7985 M5 x 20 H</i>
14	AquaMax Eco Premium 6000 / 12 V	17964	Ersatzrotor AquaMax Eco Pre. 4000-8000	<i>Spare rotor AquaMax Eco Pre. 4000 - 8000</i>
15	AquaMax Eco Premium 6000 / 12 V	35468	BG Zwischengehäuse EC1 vormontiert	<i>ASM inside housing EC1 pre-assembled</i>
16	AquaMax Eco Premium 6000 / 12 V	28539	O-Ring NBR 78 x 4,3 SH70	<i>O-Ring NBR 78 x 4.3 SH70</i>
17	AquaMax Eco Premium 6000 / 12 V	17967	Ersatzpumpengeh. AquaMax Eco Prem. 6000	<i>Spare pump housing AquaMax Eco Pr. 6000</i>
18	AquaMax Eco Premium 6000 / 12 V	35807	Ersatz Trafo AquaMax 12 V	<i>Spare part transformer AquaMax 12 V</i>
19	AquaMax Eco Premium 6000 / 12 V	28539	O-Ring NBR 78 x 4,3 SH70	<i>O-Ring NBR 78 x 4.3 SH70</i>

Produkt / Product

50382 AquaMax Eco Premium 12000 / 12 V

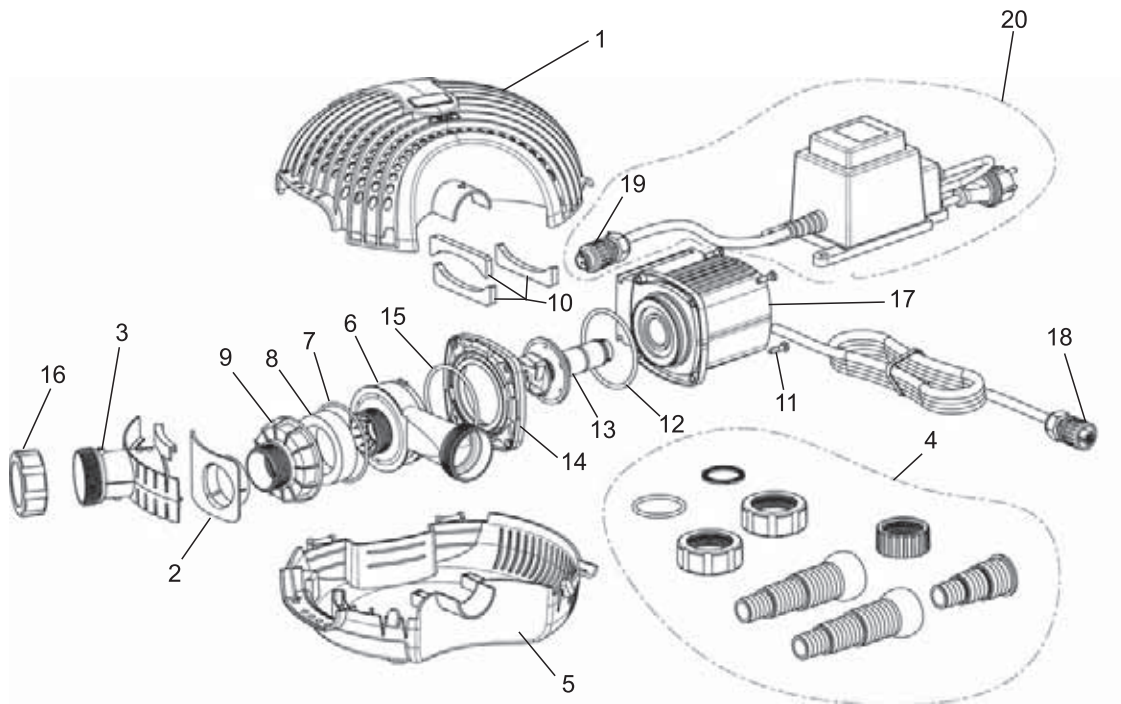


Pos.	Produkt / Product	Artikelnr. / Item no.	Ersatzteil	Spare part
1	AquaMax Eco Premium 12000 / 12 V	17963	Ersatz Filterschale oben AquaMax Eco Pr	<i>Spare filter housing top AquaMax Eco Pr</i>
2	AquaMax Eco Premium 12000 / 12 V	16982	Klammer EC2	<i>Clamp EC2</i>
3	AquaMax Eco Premium 12000 / 12 V	17232	Gummieinsatz AquaMax Pro	<i>Rubber part AquaMax Pro</i>
4	AquaMax Eco Premium 12000 / 12 V	16859	Adapter 2"	<i>Adapter 2"</i>
5	AquaMax Eco Premium 12000 / 12 V	17069	Beipack AquaMax Eco Premium 12000-16000	<i>Add. pack AquaMax Eco Premium 12000-16000</i>
6	AquaMax Eco Premium 12000 / 12 V	17272	Beipack AquaMax Eco Premium	<i>Add. pack AquaMax Eco Premium</i>
7	AquaMax Eco Premium 12000 / 12 V	16956	Pumpenhalter EC2 AquaMax Pro	<i>Pump holder EC2 AquaMax Pro</i>
8	AquaMax Eco Premium 12000 / 12 V	17962	Ersatz Filterschale unten AquaMax Eco Pr	<i>Spare filter housing base AquaMax Eco Pr</i>
9	AquaMax Eco Premium 12000 / 12 V	16867	Saugadapter AquaMax Pro	<i>Suction adapter AquaMax Pro</i>
10	AquaMax Eco Premium 12000 / 12 V	16866	Regler AquaMax Pro	<i>Regulator AquaMax Pro</i>
11	AquaMax Eco Premium 12000 / 12 V	22853	Linsenschraube V2A DIN 7981 4,8 x 19	<i>Oval head screw V2A DIN 7981 4.8 x 19</i>
12	AquaMax Eco Premium 12000 / 12 V	16894	Clip AquaMax Pro	<i>Clip AquaMax Pro</i>
13	AquaMax Eco Premium 12000 / 12 V	6055	Linsenschraube V2A DIN 7985 M5 x 20 H	<i>Oval head screw V2A DIN 7985 M5 x 20 H</i>
14	AquaMax Eco Premium 12000 / 12 V	17965	Ersatzrotor AquaMax Eco Pre. 12000-16000	<i>Spare rotor AquaMax Eco Pre. 12000-16000</i>
15	AquaMax Eco Premium 12000 / 12 V	17970	Ersatzpumpengeh. AquaMax Eco Prem. 16000	<i>Spare pump housing AquaMax Eco Pr. 16000</i>
16	AquaMax Eco Premium 12000 / 12 V	17957	BG Trafo DC mit Kupplung 13,5 V / 100 VA	<i>ASM transf. DC connector 13.5 V / 100 VA</i>
17	AquaMax Eco Premium 12000 / 12 V	17513	Flachdichtung 107 x 78 x 2,5 USP 16 hell	<i>Flat gasket 107 x 78 x 2.5 USP 16 light</i>



Produkt / Product

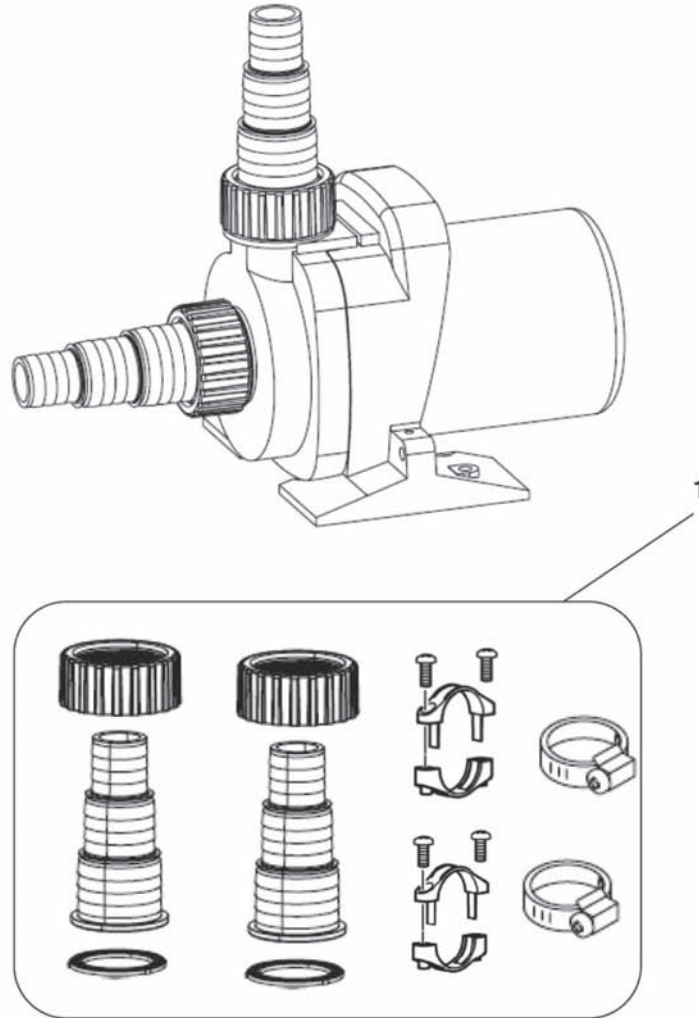
57363 AquaMax Eco 6000 12 V



Pos.	Produkt / Product	Artikelnr. / Item no.	Ersatzteil	Spare part
1	AquaMax Eco 6000 12 V	34948	Oberschale AquaMax 03	Top housing AquaMax 03
2	AquaMax Eco 6000 12 V	34945	Saugadapter AquaMax 03	Suction adapter AquaMax 03
3	AquaMax Eco 6000 12 V	34947	Regler AquaMax 03 incl. 2" Kappe	Regulator AquaMax 03 incl. 2" cap
4	AquaMax Eco 6000 12 V	35459	Beipack Anschluss Kit AquaMax Eco 4-8000	Add. pack kit AquaMax Eco 4000-8000
5	AquaMax Eco 6000 12 V	34944	Unterschale AquaMax 03	Base filter housing AquaMax 03
6	AquaMax Eco 6000 12 V	35785	Pumpengehäuse frosts. 2-1 D25	Pump housing anti-freeze 2-1 D25
7	AquaMax Eco 6000 12 V	3580	O-Ring NBR 80 x 3 SH75	O-Ring NBR 80 x 3 SH75
8	AquaMax Eco 6000 12 V	26002	Frostschuttschaum 2-1	Anti-freezing foam 2-1
9	AquaMax Eco 6000 12 V	34949	Frostschutzgehäuse 2-1 AquaMax 03	Anti-freeze housing 2-1 AquaMax 03
10	AquaMax Eco 6000 12 V	27949	Gummipuffer AquaMax Eco	Rubber pad AquaMax Eco
11	AquaMax Eco 6000 12 V	6055	Linsenschraube V2A DIN 7985 M5 x 20 H	Oval head screw V2A DIN 7985 M5 x 20 H
12	AquaMax Eco 6000 12 V	28539	O-Ring NBR 78 x 4,3 SH70	O-Ring NBR 78 x 4.3 SH70
13	AquaMax Eco 6000 12 V	35787	Rotor kpl. AquaM. Eco 6000/8000/6000 12V	Impeller cpl. Aqm Eco 6000/8000/6000 12V
14	AquaMax Eco 6000 12 V	35468	BG Zwischengehäuse EC1 vormontiert	ASM inside housing EC1 pre-assembled
15	AquaMax Eco 6000 12 V	3635	O-Ring SI 76 x 4 SH50 rot/BR.	O-Ring SI 76 x 4 SH50 red/BR.
16	AquaMax Eco 6000 12 V	25993	Schraubkappe 2"	Screw cap 2"
17	AquaMax Eco 6000 12 V	35788	BG Motor AquaMax Eco 6000 12 V	ASM spare pump AquaMax Eco 6000 12 V
18	AquaMax Eco 6000 12 V	26922	Leistungsstecker Solar / ProfiLux	Cordplug Solar / ProfiLux
19	AquaMax Eco 6000 12 V	26930	Leitungskupplung Solar / ProfiLux	Cable coupler Solar / ProfiLux
20	AquaMax Eco 6000 12 V	35807	Ersatz Trafo AquaMax 12 V	Spare part transformer AquaMax 12 V

Produkt / Product

- 50393 AquaMax Dry 6000
- 50066 AquaMax Dry 8000
- 50068 AquaMax Dry 14000



Pos.	Produkt / Product	Artikelnr. / Item no.	Ersatzteil	Spare part
1	AquaMax Dry 6000 - 14000	10510	Beipack AquaMax Dry	Additional pack AquaMax Dry

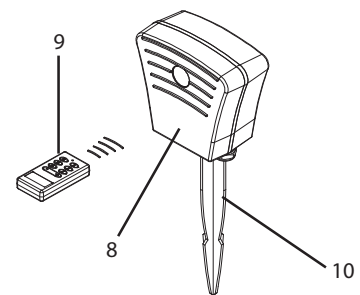
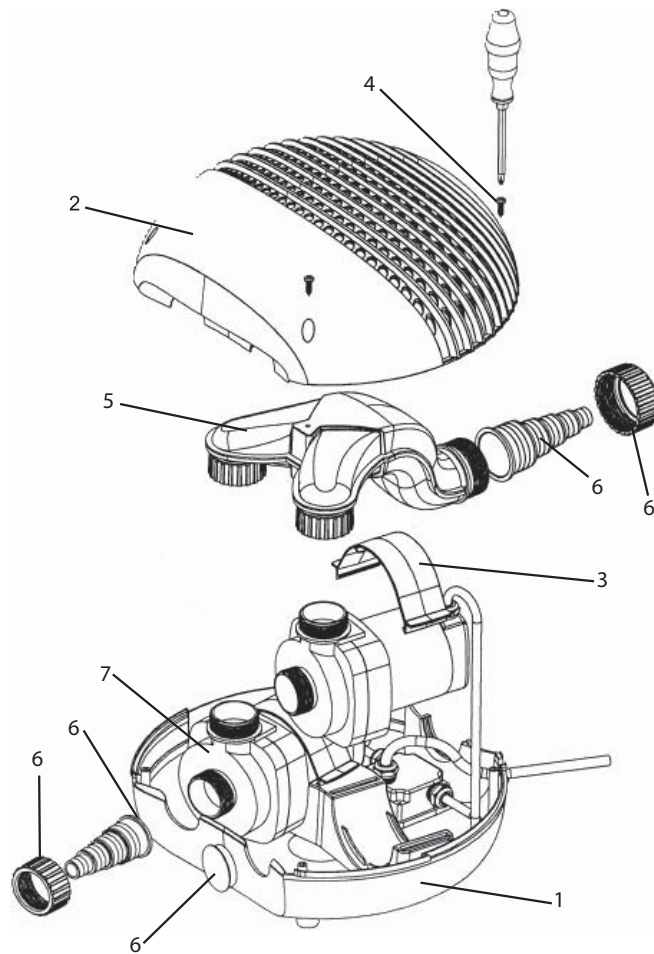


Pos.	Produkt / Product	Artikelnr. / Item no.	Ersatzteil	Spare part
1	AquaMax Eco Twin 20000 - 30000	18277	Ersatz Filterschale oben AquaMax Twin	<i>Spare filter housing top AquaMax Twin</i>
2	AquaMax Eco Twin 20000 - 30000	16894	Clip AquaMax Pro	<i>Clip AquaMax Pro</i>
3	AquaMax Eco Twin 20000 - 30000	17319	BG AquaMax Twin Y-Verteiler	<i>ASM AquaMax Twin Y-manifold</i>
4	AquaMax Eco Twin 20000 - 30000	17069	Beipack AquaMax Eco Premium 12000-16000	<i>Add. pack AquaMax Eco Premium 12000-16000</i>
5	AquaMax Eco Twin 20000 - 30000	17272	Beipack AquaMax Eco Premium	<i>Add. pack AquaMax Eco Premium</i>
6	AquaMax Eco Twin 20000 - 30000	16982	Klammer EC2	<i>Clamp EC2</i>
7	AquaMax Eco Twin 20000 - 30000	17232	Gummieinsatz AquaMax Pro	<i>Rubber part AquaMax Pro</i>
8	AquaMax Eco Twin 20000 - 30000	24145	Handsender Promax	<i>Remote control Promax</i>
9	AquaMax Eco Twin 20000 - 30000	20284	Erdspieß	<i>Spike</i>
10	AquaMax Eco Twin 20000 - 30000	17315	Abdeckkappe AquaMax Twin	<i>Cover cap AquaMax Twin</i>
11	AquaMax Eco Twin 20000 - 30000	17294	Filterschale unten AquaMax Twin	<i>Filter housing base AquaMax Twin</i>
12	AquaMax Eco Twin 20000 - 30000	17526	Adapter 2" AquaMax Twin	<i>Adapter 2" AquaMax Twin</i>
13	AquaMax Eco Twin 20000 - 30000	6055	Linsenschraube V2A DIN 7985 M5 x 20 H	<i>Oval head screw V2A DIN 7985 M5 x 20 H</i>
14	AquaMax Eco Twin 20000 - 30000	17513	Flachdichtung 107 x 78 x 2,5 USP 16 hell	<i>Flat gasket 107 x 78 x 2.5 USP 16 light</i>
15	AquaMax Eco Twin 20000 - 30000	17965	Ersatzrotor AquaMax Eco Pre. 12000-16000	<i>Spare rotor AquaMax Eco Pre. 12000-16000</i>
16	AquaMax Eco Twin 20000	17969	Ersatzpumpegeh. AquaMax Eco Prem. 12000	<i>Spare pump housing AquaMax Eco Pr. 12000</i>
	AquaMax Eco Twin 30000	17970	Ersatzpumpegeh. AquaMax Eco Prem. 16000	<i>Spare pump housing AquaMax Eco Pr. 16000</i>

Produkt / Product

55441 Promax 20000

55442 Promax 30000



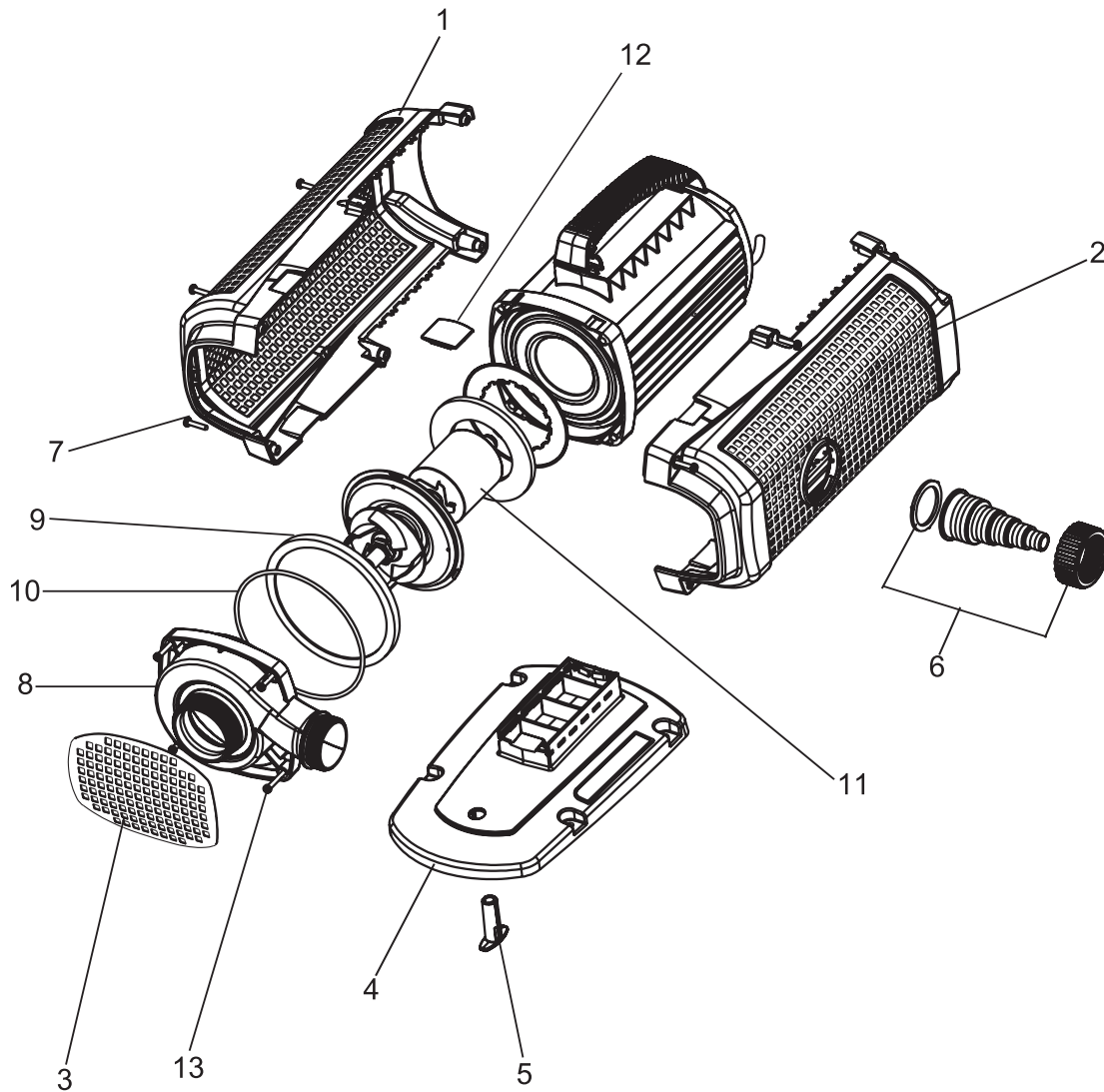
Pos.	Produkt / Product	Artikelnr. / Item no.	Ersatzteil	Spare part
1	Promax 20000 - 30000	34811	Filter Unterschale Motorgehäuse	Filter bottom part motor housing
2	Promax 20000 - 30000	34045	Filter Oberschale Promax	Filter top part Promax
3	Promax 20000	2 x 34042	Spannklammer Promax V2A	Clamp clip Promax V2A
	Promax 20000	34812	Spannklammer Motorgehäuse KU	Clamp clip motor housing plastic
	Promax 30000	2 x 34812	Spannklammer Motorgehäuse KU	Clamp clip motor housing plastic
	Promax 30000	34042	Spannklammer Promax V2A	Clamp clip Promax V2A
4	Promax 20000 - 30000	4 x 22853	Linsenschraube V2A DIN 7981 4,8 x 19	Oval head screw V2A DIN 7981 4.8 x 19
5	Promax 20000 - 30000	23970	BG Verteiler Promax	ASM distributor Promax
6	Promax 20000 - 30000	34381	Ersatzteil-Set Promax	Spare part set Promax
7	Promax 20000 - 30000	20041	Pumpengehäuse AquaMax 15000	Pump housing AquaMax 15000
8	Promax 20000	34923	BG Empfänger Promax 20000	ASM receiver Promax 20000
	Promax 30000	34924	BG Empfänger Promax 30000	ASM receiver Promax 30000
9	Promax 20000 - 30000	24145	Handsender Promax	Remote control Promax
10	Promax 20000 - 30000	20284	Erdspieß	Spike

Produkt / Product

56873 AquaMax Expert 20000  
 56874 AquaMax Expert 30000  
 56875 AquaMax Expert 40000

ehemals / formerly

Profimax 20000  
 Profimax 30000  
 Profimax 40000



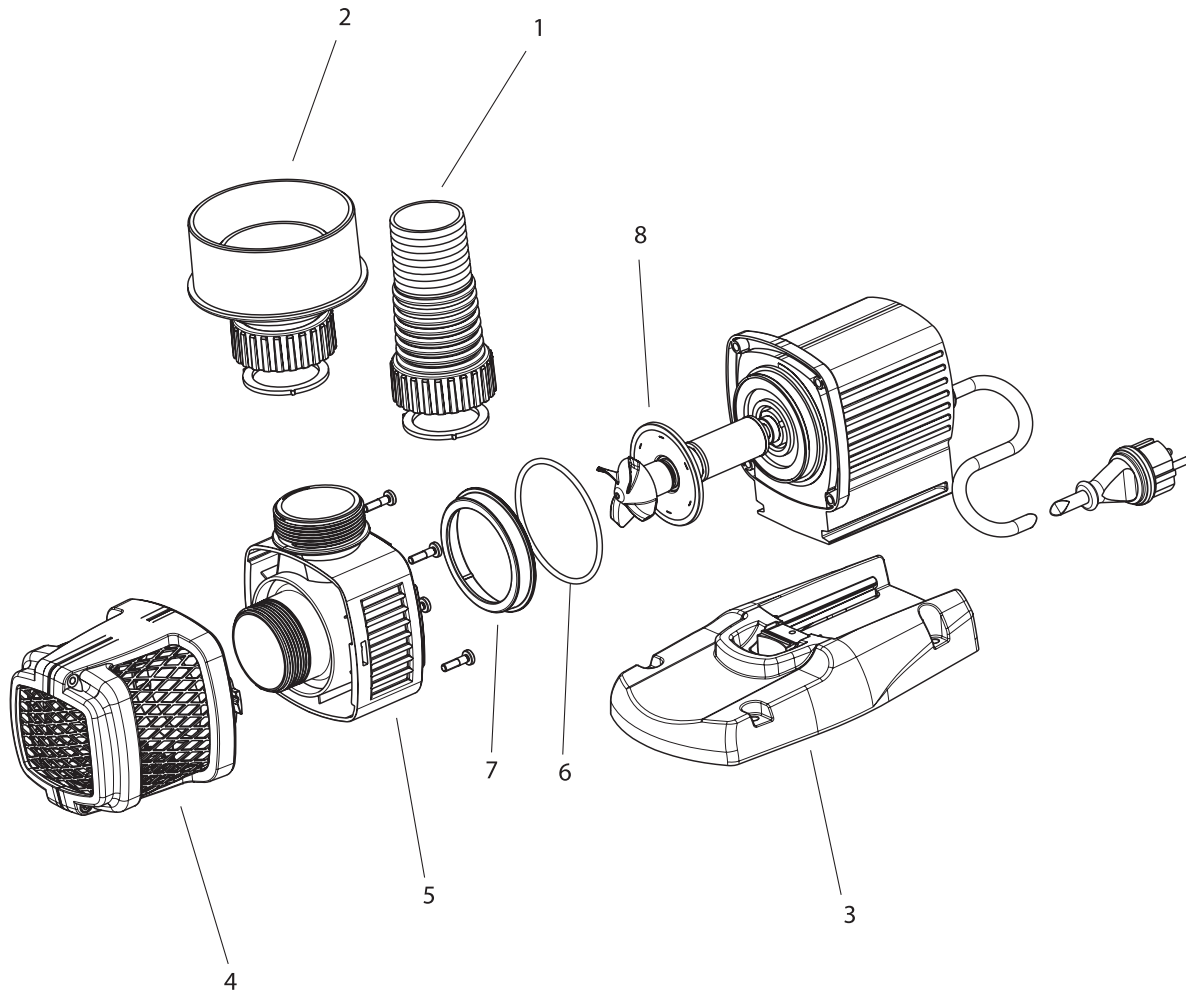
Pos.	Produkt / Product	Artikelnr. / Item no.	Ersatzteil	Spare part
1	AquaMax Expert 20000	26870	Filterwange 107 FBP rechts	Filter flank 107 FBP right
	AquaMax Expert 30000	26870	Filterwange 107 FBP rechts	Filter flank 107 FBP right
	AquaMax Expert 40000	26871	Filterwange 135 FBP rechts	Filter flank 135 FBP right
2	AquaMax Expert 20000	26698	Filterwange 107 FBP links	Filter flank 107 FBP left
	AquaMax Expert 30000	26698	Filterwange 107 FBP links	Filter flank 107 FBP left
	AquaMax Expert 40000	26701	Filterwange 135 FBP links	Filter flank 135 FBP left
3	AquaMax Expert 20000	26734	Frontblech 107 FBP	Front plate 107 FBP
	AquaMax Expert 30000	26734	Frontblech 107 FBP	Front plate 107 FBP
	AquaMax Expert 40000	26736	Frontblech 135 FBP	Front plate 135 FBP
4	AquaMax Expert 20000 - 40000	26703	Pumpenfuß Profiline	Pump base Profiline
5	AquaMax Expert 40000	27179	Stabilisator Profiline	Stabiliser Profiline
6	AquaMax Expert 20000 - 40000	35359	Anschluss-Kit AquaMax Expert	Connection kit Aquamax Expert
7	AquaMax Expert 20000 - 40000	6055	Linsenschraube V2A DIN 7985 M5 x 20 H	Oval head screw V2A DIN 7985 M5 x 20 H
8	AquaMax Expert 20000	27477	Pumpengehäuse 107-36	Pump housing 107 - 36
	AquaMax Expert 30000	27477	Pumpengehäuse 107-36	Pump housing 107 - 36
	AquaMax Expert 40000	26689	Pumpengehäuse 135	Pump housing 135
9	AquaMax Expert 20000	26692	Zentrier-Ring 107	Centre ring 107
	AquaMax Expert 30000	26692	Zentrier-Ring 107	Centre ring 107
	AquaMax Expert 40000	26693	Zentrier-Ring 135	Centre ring 135
10	AquaMax Expert 20000	27289	O-Ring NBR 130 x 4,3 SH70	O-Ring NBR 130 x 4.3 SH70
	AquaMax Expert 30000	27289	O-Ring NBR 130 x 4,3 SH70	O-Ring NBR 130 x 4.3 SH70
	AquaMax Expert 40000	27747	O-Ring NBR 155 x 4,5 SH70	O-Ring NBR 155 x 4.5 SH70
11	AquaMax Expert 20000	35365	Rotor kpl. AquaMax Expert 20000	Impeller cpl. AquaMax Expert 20000
	AquaMax Expert 30000	35366	Rotor kpl. AquaMax Expert 30000	Impeller cpl. AquaMax Expert 30000
	AquaMax Expert 40000	35367	Rotor kpl. AquaMax Expert 40000	Impeller cpl. AquaMax Expert 40000
12	AquaMax Expert 20000 - 40000	35361	Ersatz Emblem Profiline	Spare emblem Profiline
13	AquaMax Expert 20000 - 40000	6061	Linsenschraube Kreuzschl. DIN 7985 6x25	Oval head screw Phillips DIN7985 6 x 25

Produkt / Product

- 57091 AquaMax Gravity Eco 10000
- 57092 AquaMax Gravity Eco 15000
- 57093 AquaMax Gravity Eco 20000

ehemals / formerly

- Optimax 10000
- Optimax 15000
- Optimax 20000



Pos.	Produkt / Product	Artikelnr. / Item no.	Ersatzteil	Spare part
1	AquaMax Gravity Eco 10000 - 20000	35577	Ers. Schlauchanschluss AquaMax Gravity	Spare hoesetail set AquaMax Gravity Eco
2	AquaMax Gravity Eco 10000 - 20000	35578	Ers. Rohranschluss AquaMax Gravity	Spare pipe connector AquaMax Gravity Eco
3	AquaMax Gravity Eco 10000 - 20000	28127	Pumpenfuß AquaMax Gravity Eco	Pump base AquaMax Gravity Eco
4	AquaMax Gravity Eco 10000 - 20000	35509	BG Berührschutz	ASM contact protection
5	AquaMax Gravity Eco 10000 - 20000	35580	Ers. Pumpengehäuse AquaMax Gravity	Spare pump housing AquaMax Gravity Eco
6	AquaMax Gravity Eco 10000 - 20000	28539	O-Ring NBR 78 x 4,3 SH70	O-Ring NBR 78 x 4.3 SH70
7	AquaMax Gravity Eco 10000 - 20000	28125	Haltering AquaMax Eco / Gravity Eco	Holder ring AquaMax Eco / Gravity Eco
8	AquaMax Gravity Eco 10000	17958	Ersatzrotor kpl AquaMax Gravity Eco10000	Spare rotor cpl AquaMax Gravity Eco10000
	AquaMax Gravity Eco 15000	17959	Ersatzrotor kpl AquaMax Gravity Eco15000	Spare rotor cpl AquaMax Gravity Eco15000
	AquaMax Gravity Eco 20000	17960	Ersatzrotor kpl AquaMax Gravity Eco20000	Spare rotor cpl AquaMax Gravity Eco20000

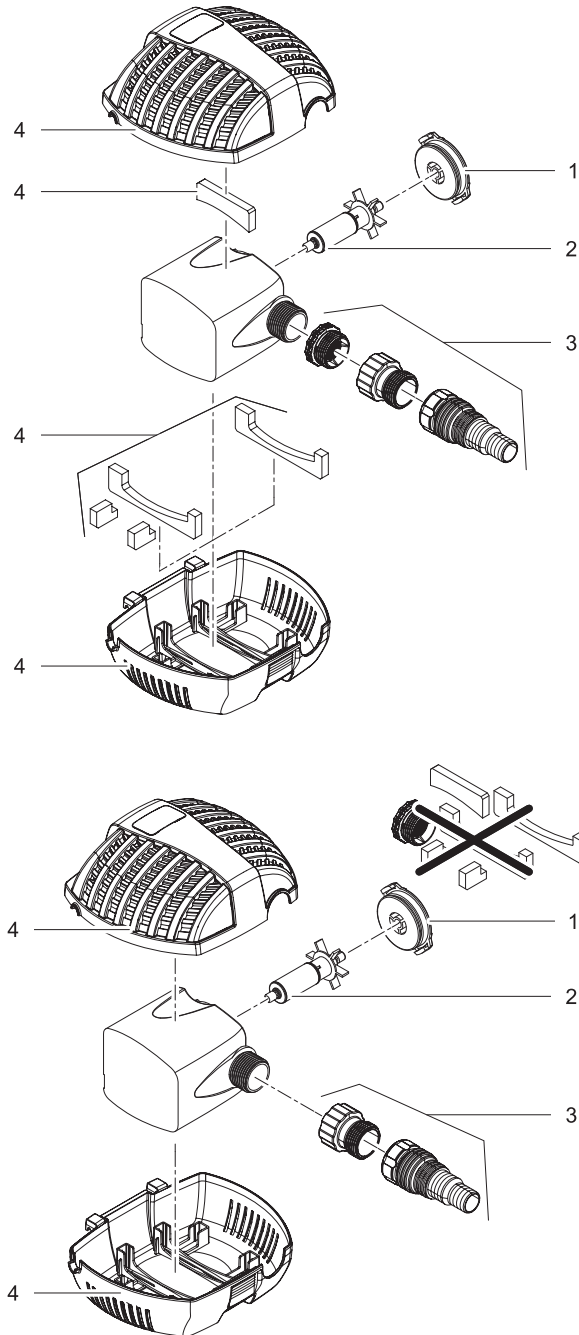


Produkt / Product

15329 Ersatzpumpe FP 1500

13745 Ersatzpumpe FP 2500

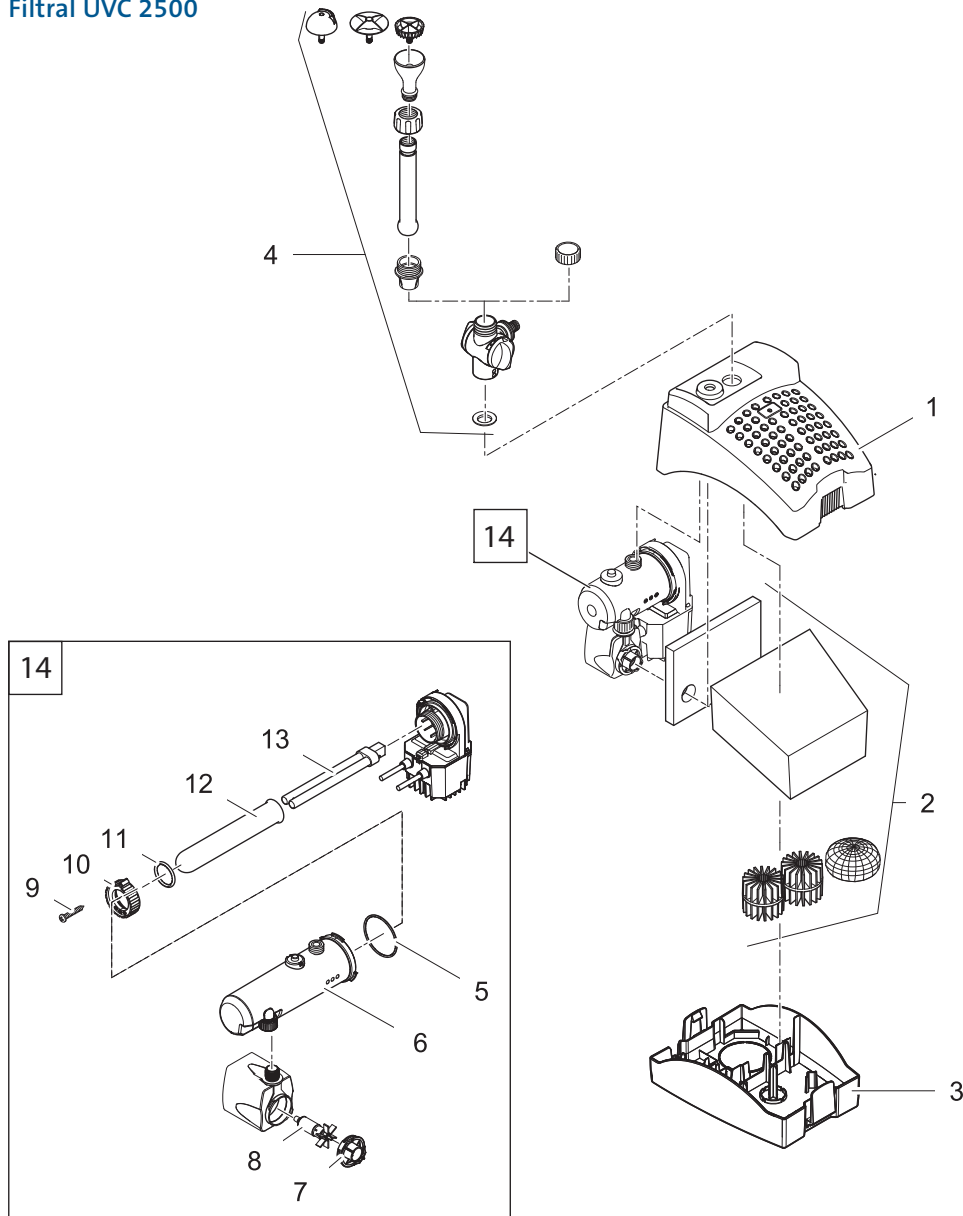
13742 Ersatzpumpe FP 3500



Pos.	Produkt / Product	Artikelnr. / Item no.	Ersatzteil	Spare part
1	Ersatzpumpe FP 1500	35769	BG Pumpengehäuse ASE 1500	ASM pump housing ASE 1500
	Ersatzpumpe FP 2500	35770	BG Pumpengehäuse ASE 2500	ASM pump housing ASE 2500
	Ersatzpumpe FP 3500	35771	BG Pumpengehäuse ASE 3500	ASM pump housing ASE 3500
2	Ersatzpumpe FP 1500	28352	Ersatzrotor Pumpe 1500 ASE	Spare rotor pump 1500 ASE
	Ersatzpumpe FP 2500	35755	Ersatzrotor Pumpe 2500 ASE	Spare rotor pump 2500 ASE
	Ersatzpumpe FP 3500	14364	Ersatzrotor Pumpe 3500 ASE X-Ring	Spare rotor pump 3500 ASE x-ring
3	Ersatzpumpe FP 1500 - 3500	13743	Ersatzteilset Anschlusssteile FP2500-3500	Spare part set conn. parts FP2500-3500
4	Ersatzpumpe FP 1500 - 3500	13744	Ersatzteil-Set Filterschalen FP1500-3500	Spare part set filterhousing FP1500-3500

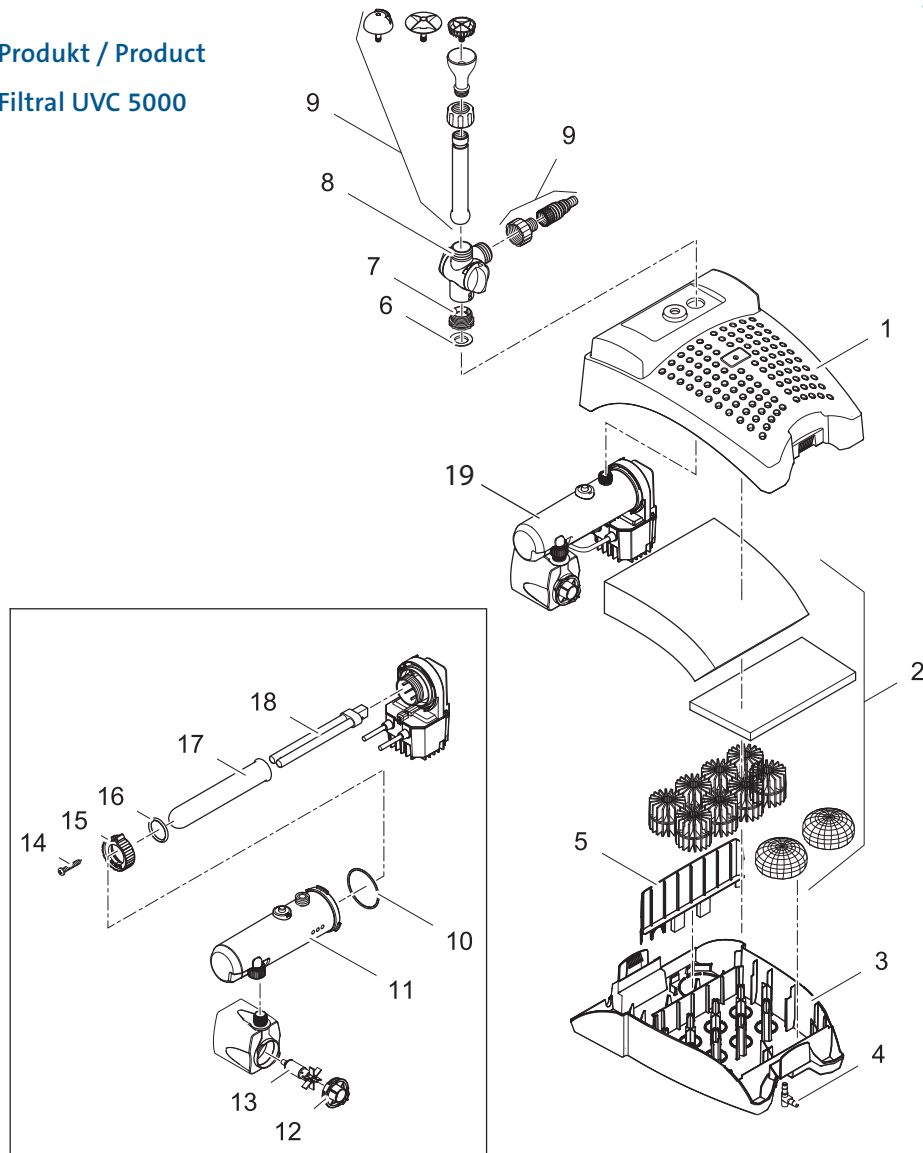
Produkt / Product

50446 Filtral UVC 2500



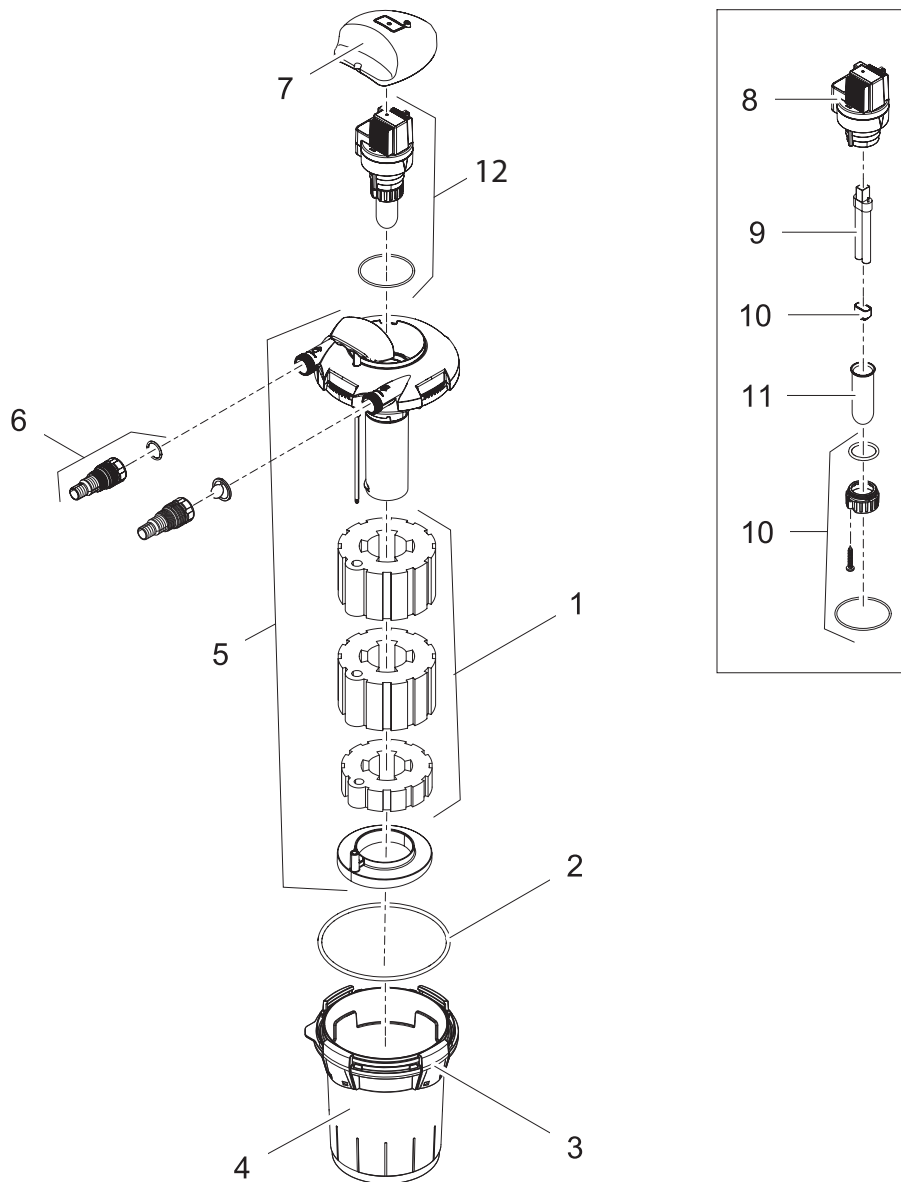
Pos.	Produkt / Product	Artikelnr. / Item no.	Ersatzteil	Spare part
1	Filtral UVC 2500	14041	BG Oberschale Filtral UVC 2500	ASM filter top Filtral UVC 2500
2	Filtral UVC 2500	13705	Ersatzfilter Set Filtral UVC 2500	Replacement filter set Filtral UVC 2500
3	Filtral UVC 2500	13623	Unterschale Filtral UVC 2500	Base Filtral UVC2500
4	Filtral UVC 2500	13643	Beipack Filtral UVC 2500	Additional pack Filtral 2500
5	Filtral UVC 2500	28553	O-Ring NBR 61,6 x 2,62 SH70 A	O-Ring NBR 61.6 x 2.62 SH70 A
6	Filtral UVC 2500	13965	Ersatz Wassergehäuse Filtral UVC 2500	Spare water housing Filtral UVC 2500
7	Filtral UVC 2500	35762	BG Pumpengehäuse ASE 1000	ASM pump housing ASE 1000
8	Filtral UVC 2500	35897	BG Rotor Pumpe 1000 ASE	ASM rotor pump 1000 ASE
9	Filtral UVC 2500	27891	Linsenschraube V2A DIN 7981 3,5 x 22	Oval head screw V2A DIN 7981 3.5 x 22
10	Filtral UVC 2500	12049	Klemmschraube FiltoMatic / Filtral 11 W	Clamp screw FiltoMatic / Filtral 11 W
11	Filtral UVC 2500	19475	O-Ring Viton 32 x 4 SH70	O-Ring Viton 32 x 4 SH70
12	Filtral UVC 2500	14193	Ersatz Quarzglasrohr Filtral / BioPress	Spare quartz glass tube Filtral / BioPr.
13	Filtral UVC 2500	57111	Ersatzlampe UVC 7 W neutral	Replacement bulb UVC 7 W neutral
14	Filtral UVC 2500	13966	Ersatz UVC/Pumpe Filtral UVC 2500	Spare UVC/pump Filtral UVC 2500

Produkt / Product  
57379 Filtral UVC 5000



Pos.	Produkt / Product	Artikelnr. / Item no.	Ersatzteil	Spare part
1	Filtral UVC 5000	29281	Oberschale Filtral UVC 5000	Top Filtral UVC 5000
2	Filtral UVC 5000	35836	Ersatzfilter Set Filtral UVC 5000	Replacement filter set Filtral UVC 5000
3	Filtral UVC 5000	11349	Filterunterteil Pumpe/UVC	Filterhousing base pump/UVC
4	Filtral UVC 5000	35087	Luftanschluss BioTec 5.1 / 10.1	Air connection BioTec 5.1 / 10.1
5	Filtral UVC 5000	29386	Trennwand Filtral UVC 5000	Separating plate Filtral UVC 5000
6	Filtral UVC 5000	29388	Profildichtung D35 x 5	Profile gasket D35 x 5
7	Filtral UVC 5000	13427	Kunststoff Red. Stück G1 Ax G1/2 I	Threaded bush G1 Ax G1/2 I
8	Filtral UVC 5000	20830	T-Regler G 1	T-controller G 1
9	Filtral UVC 5000	35717	Beipack Düsenset Start	Additional pack nozzle set Start
10	Filtral UVC 5000	28553	O-Ring NBR 61,6 x 2,62 SH70 A	O-Ring NBR 61.6 x 2.62 SH70 A
11	Filtral UVC 5000	35872	Ersatz Wassergehäuse Filtral UVC 5000	Spare water housing Filtral UVC 5000
12	Filtral UVC 5000	35770	BG Pumpengehäuse ASE 2500	ASM pump housing ASE 2500
13	Filtral UVC 5000	35755	Ersatzrotor Pumpe 2500 ASE	Spare rotor pump 2500 ASE
14	Filtral UVC 5000	27891	Linsenschraube V2A DIN 7981 3,5 x 22	Oval head screw V2A DIN 7981 3.5 x 22
15	Filtral UVC 5000	12049	Klemmschraube FiltoMatic / Filtral 11 W	Clamp screw FiltoMatic / Filtral 11 W
16	Filtral UVC 5000	19475	O-Ring Viton 32 x 4 SH70	O-Ring Viton 32 x 4 SH70
17	Filtral UVC 5000	13312	Ersatz Quarzglas UVC 7 / 9 / 11 W	Spare quartz glass UVC 7 / 9 / 11 W
18	Filtral UVC 5000	56112	Ersatzlampe UVC 11 W	Replacement bulb UVC 11 W
19	Filtral UVC 5000	35874	Ersatz UVC/ASE-Pumpe Filtral UVC 5000	Spare UVC/ASE-pump Filtral 5000

Produkt / Product  
50499 BioPress Set 4000

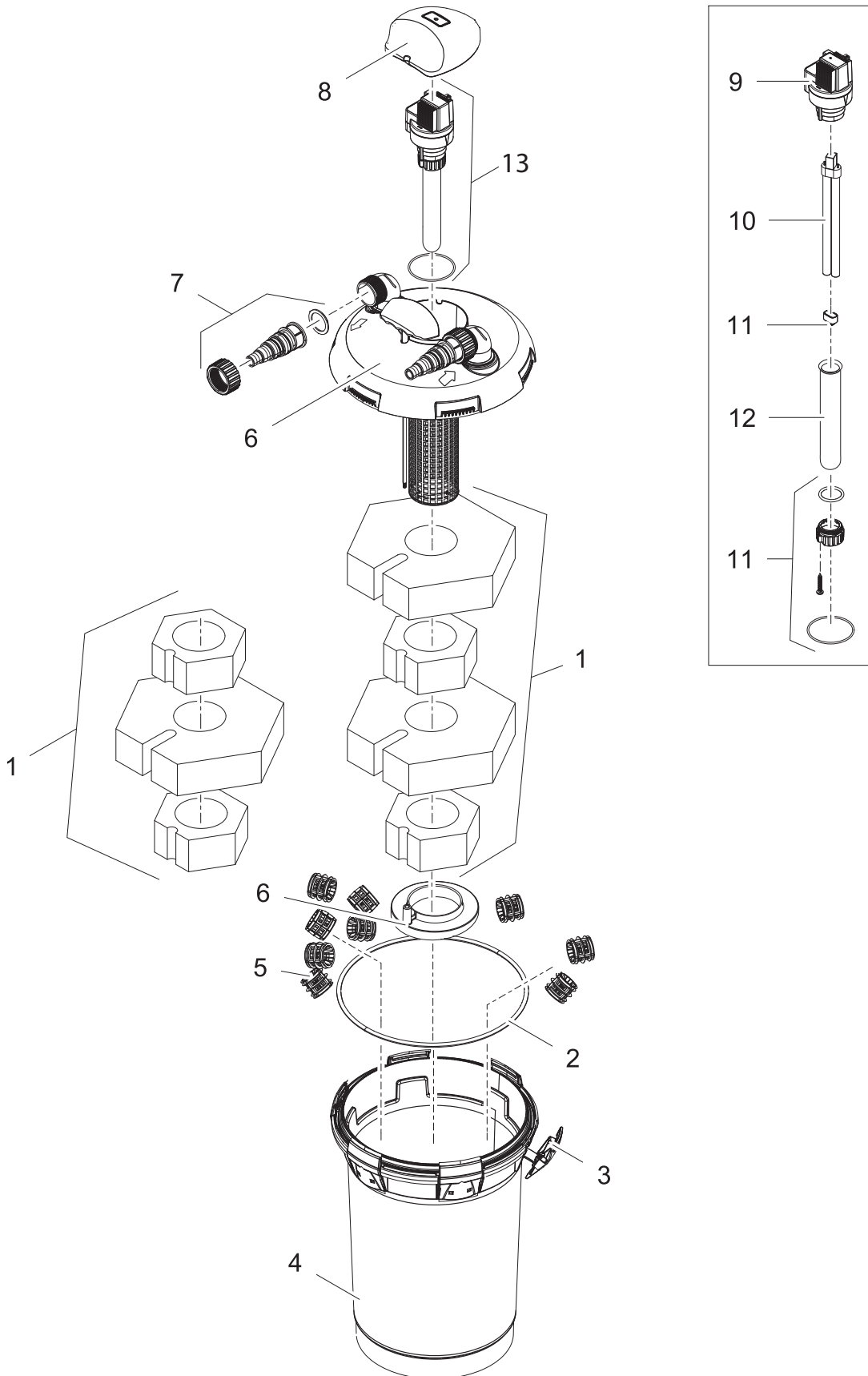


Pos.	Produkt / Product	Artikelnr. / Item no.	Ersatzteil	Spare part
1	BioPress Set 4000	15558	Ersatzschwamm Set BioPress Set 4000	Replacement foam set BioPress Set 4000
2	BioPress Set 4000	14543	O-Ring NBR 185 x 6 SH40 A	O-Ring NBR 185 x 6 SH40 A
3	BioPress Set 4000	15327	BG Klammer BioPress 4000	ASM clamp BioPress 4000
4	BioPress Set 4000	14555	Behälter BioPress Set 4000	Tank BioPress Set 4000
5	BioPress Set 4000	15561	Ersatz Deckel BioPress Set 4000	Spare part lid BioPress Set 4000
6	BioPress Set 4000	14825	Beipack BioPress Set 4000	Additional pack BioPress Set 4000
7	BioPress Set 4000	15326	BG Abdeckung BioPress 4000-10000	ASM cover BioPress 4000-10000
8	BioPress Set 4000	15665	BG UVC 7 / 9 / 11 W 2011	ASM UVC 7 / 9 / 11 W 2011
9	BioPress Set 4000	57111	Ersatzlampe UVC 7 W neutral	Replacement bulb UVC 7 W neutral
10	BioPress Set 4000	15535	Ersatz Klemmschrauben Set UVC 7 / 9 / 11 W	Spare part clip bolt set UVC 7 / 9 / 11 W
11	BioPress Set 4000	14193	Ersatz Quarzglasrohr Filtral / BioPress	Spare quartz glass tube Filtral / BioPr.
12	BioPress Set 4000	15328	BG UVC BioPress 4000	ASM UVC BioPress 4000

Produkt / Product

50453 BioPress Set 6000

50455 BioPress Set 10000

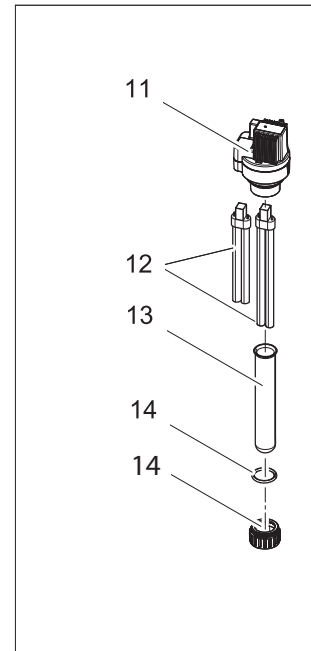
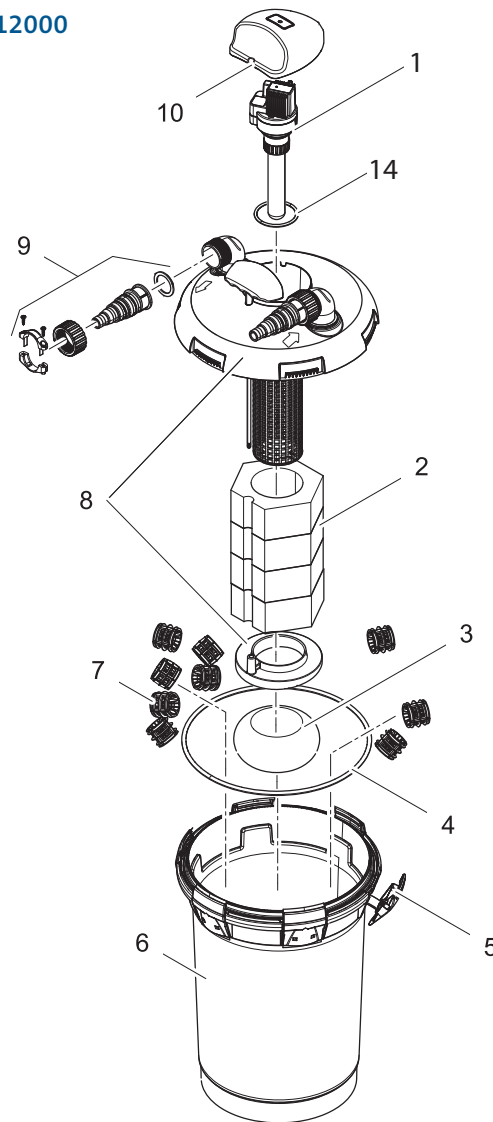


Pos.	Produkt / Product	Artikelnr. / Item no.	Ersatzteil	Spare part
1	BioPress Set 6000 - 10000	15564	Ersatzschwamm Set BioPress Set	Replacement foam set BioPress Set
2	BioPress Set 6000 - 10000	28812	O-Ring NBR 304 x 7 SH40	O-Ring NBR 304 x 7 SH40
3	BioPress Set 6000 - 10000	35751	BG Klammer BioPress	ASM clamp BioPress
4	BioPress Set 6000	28042	Behälter BioPress 8000-10000	Filter box BioPress 8000-10000
	BioPress Set 10000	28041	Behälter BioPress 12000-15000	Filter box BioPress 12000-15000
5	BioPress Set 6000 - 10000	35814	Ersatz Bioballs BioPress	Spare part Bioballs BioPress
6	BioPress Set 6000	35815	Filteroberteil BioPress 6000-8000	Filter top BioPress 6000-8000
	BioPress Set 10000	35816	Filteroberteil BioPress 10000-12000	Filter top BioPress 10000-12000
7	BioPress Set 6000 - 10000	35750	Beipack BioPress	Additional pack BioPress
8	BioPress Set 6000 - 10000	15326	BG Abdeckung BioPress 4000-10000	ASM cover BioPress 4000-10000
9	BioPress Set 6000 - 10000	15665	BG UVC 7 / 9 / 11 W 2011	ASM UVC 7 / 9 / 11 W 2011
10	BioPress Set 6000	54984	Ersatzlampe UVC 9 W	Replacement bulb UVC 9 W
	BioPress Set 10000	56112	Ersatzlampe UVC 11 W	Replacement bulb UVC 11 W
11	BioPress Set 6000 - 10000	15535	Ersatz Klemmschrauben Set UVC 7/9/11 W	Spare part clip bolt set UVC 7 / 9 / 11
12	BioPress Set 6000 - 10000	13312	Ersatz Quarzglas UVC 7 / 9 / 11 W	Spare quartz glass UVC 7 / 9 / 11 W
13	BioPress Set 6000 - 10000	35838	BG UVC 11 W kpl.	ASM UVC 11 W cpl.

Produkt / Product

57385 BioPress Set 8000

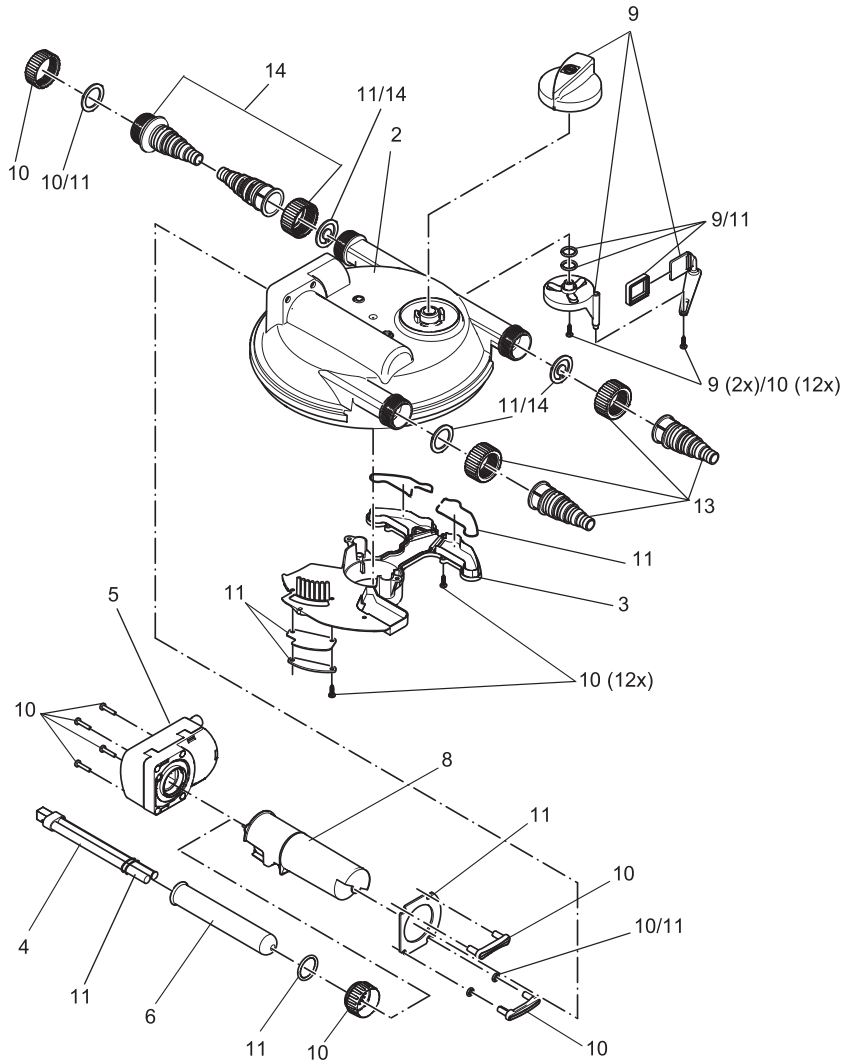
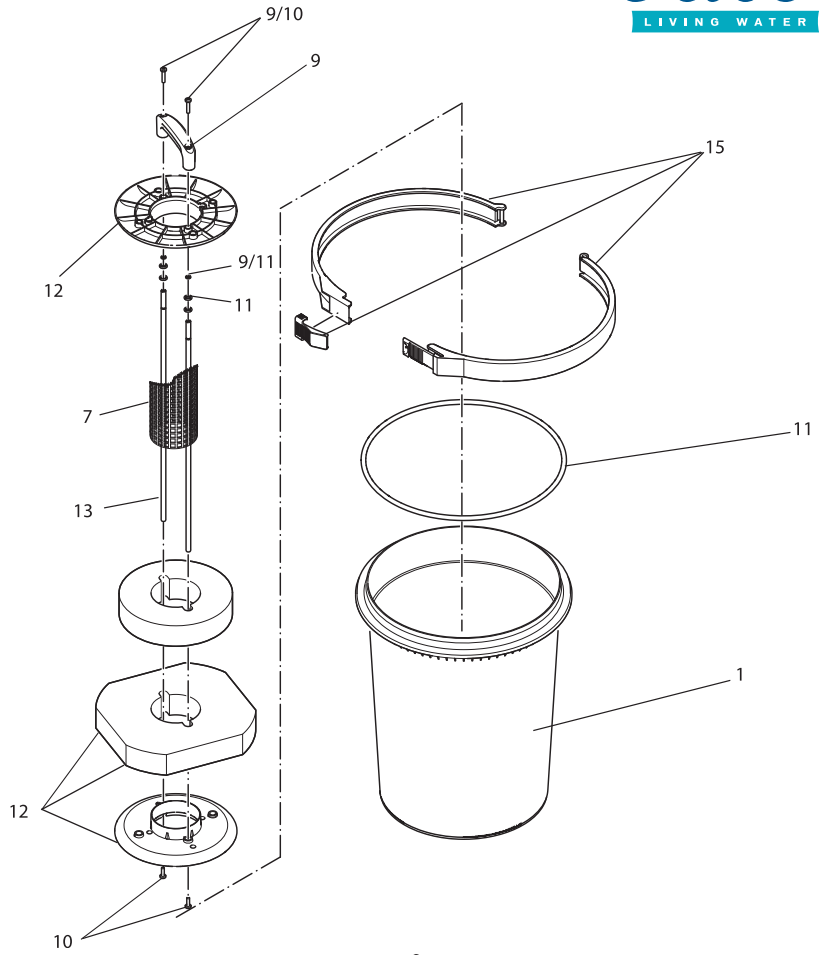
57386 BioPress Set 12000



Pos.	Produkt / Product	Artikelnr. / Item no.	Ersatzteil	Spare part
1	BioPress Set 8000 - 12000	35838	BG UVC 11 W kpl.	ASM UVC 11 W cpl.
2	BioPress Set 8000 - 12000	15564	Ersatzschwamm Set BioPress Set	Replacement foam set BioPress Set
3	BioPress Set 8000 - 12000	28526	Lavagestein im Beutel	Lava stones in bag
4	BioPress Set 8000 - 12000	28812	O-Ring NBR 304 x 7 SH40	O-Ring NBR 304 x 7 SH40
5	BioPress Set 8000 - 12000	35751	BG Klammer BioPress	ASM clamp BioPress
6	BioPress Set 8000	28042	Behälter BioPress 8000-10000	Filter box BioPress 8000-10000
	BioPress Set 12000	28041	Behälter BioPress 12000-15000	Filter box BioPress 12000-15000
7	BioPress Set 8000 - 12000	35814	Ersatz Bioballs BioPress	Spare part Bioballs BioPress
8	BioPress Set 8000	35815	Filteroberteil BioPress 6000-8000	Filter top BioPress 6000-8000
	BioPress Set 12000	35816	Filteroberteil BioPress 10000-12000	Filter top BioPress 10000-12000
9	BioPress Set 8000 - 12000	35750	Beipack BioPress	Additional pack BioPress
10	BioPress Set 8000 - 12000	29463	Abdeckung BioPress	Cover BioPress
11	BioPress Set 8000 - 12000	15665	BG UVC 7 / 9 / 11 W 2011	ASM UVC 7 / 9 / 11 W 2011
12	BioPress Set 8000 - 12000	56112	Ersatzlampe UVC 11 W	Replacement bulb UVC 11 W
13	BioPress Set 8000 - 12000	13312	Ersatz Quarzglas UVC 7 / 9 / 11 W	Spare quartz glass UVC 7 / 9 / 11 W
14	BioPress Set 8000 - 12000	12090	Dichtungsset UVC 7 / 9 / 11 W	Sealing set UVC 7 W / 9 W / 11 W

Produkt / Product

- 55997 FiltoClear 3000
- 55998 FiltoClear 6000
- 55999 FiltoClear 11000
- 56824 FiltoClear 15000





Pos.	Produkt / Product	Artikelnr. / Item no.	Ersatzteil	Spare part
1	FiltoClear 3000	24460	Behälter FiltoClear 3000	Filter box FiltoClear 3000
	FiltoClear 6000	24461	Behälter FiltoClear 6000	Filter box FiltoClear 6000
	FiltoClear 11000	24462	Behälter FiltoClear 11000	Filter box FiltoClear 11000
	FiltoClear 15000	26527	Behälter FiltoClear 15000-30000	Filter box FiltoClear 15000-30000
2	FiltoClear 3000 - 15000	24459	Deckelaußenteil FiltoClear 3000-15000	Cover FiltoClear 3000-15000
3	FiltoClear 3000 - 15000	24457	Deckelinnenteil FiltoClear	Inner part cover FiltoClear
4	FiltoClear 3000	54984	Ersatzlampe UVC 9 W	Replacement bulb UVC 9 W
	FiltoClear 6000	56112	Ersatzlampe UVC 11 W	Replacement bulb UVC 11 W
	FiltoClear 11000	56112	Ersatzlampe UVC 11 W	Replacement bulb UVC 11 W
	FiltoClear 15000	56112	Ersatzlampe UVC 11 W	Replacement bulb UVC 11 W
5	FiltoClear 3000 - 15000	14360	BG UVC FiltoClear 9 / 11 W 230 V ASE	ASM UVC FiltoClear 9/11 W 230 V ASE
6	FiltoClear 3000 - 15000	13312	Ersatz Quarzglas UVC 7 / 9 / 11 W	Spare quartz glass UVC 7 / 9 / 11 W
7	FiltoClear 3000	14235	Gitterrohr FiltoClear 3000 / 145 mm	Mesh tube FiltoClear 3000 / 145 mm
	FiltoClear 6000	14236	Gitterrohr FiltoClear 6000 / 263 mm	Mesh tube FiltoClear 6000 / 263 mm
	FiltoClear 11000	14237	Gitterrohr FiltoClear 11000 / 383 mm	Mesh tube FiltoClear 11000 / 383 mm
	FiltoClear 15000	14238	Gitterrohr FiltoClear 15000 / 503 mm	Mesh tube FiltoClear 15000 / 503mm
8	FiltoClear 3000	34521	Schutzrohr UVC	Protection pipe UVC
	FiltoClear 6000	34521	Schutzrohr UVC	Protection pipe UVC
	FiltoClear 11000	34521	Schutzrohr UVC	Protection pipe UVC
	FiltoClear 15000	35256	BG Schutzrohr UVC mit Reflektorblech	ASM protection pipe UVC with reflector
9	FiltoClear 3000 - 15000	34579	Ersatz-Set Bedienelemente FiltoClear	Spare set operation pieces FiltoClear
10	FiltoClear 3000 - 15000	34580	Ersatz-Set Schraubenelemente FiltoClear	Spare parts set screws FiltoClear
11	FiltoClear 3000 - 15000	34581	Ersatz-Set Dichtungen FiltoClear	Spare part gasket set FiltoClear
12	FiltoClear 3000	56109	Ersatzschwamm Set FiltoClear 3000	Replacement foam set FiltoClear 3000
	FiltoClear 6000	56110	Ersatzschwamm Set FiltoClear 6000	Replacement foam set FiltoClear 6000
	FiltoClear 11000	56111	Ersatzschwamm Set FiltoClear 11000	Replacement foam set FiltoClear 11000
	FiltoClear 15000	56884	Ersatzschwamm Set FiltoClear 15000	Replacement foam set FiltoClear 15000
13	FiltoClear 3000	2 x 24749	Reinigungsstange FiltoClear 3000	Cleaning rod FiltoClear 3000(USA 800)
	FiltoClear 6000	2 x 24748	Reinigungsstange FiltoClear 6000	Cleaning rod FiltoClear 6000(USA 1600)
	FiltoClear 11000	2 x 24747	Reinigungsstange FiltoClear 11000	Cleaning rod FiltoClear 11000(USA 3000)
	FiltoClear 15000	2 x 26596	Reinigungsstange FiltoClear 15000-30000	Cleaning rod FiltoClear 15000-30000
14	FiltoClear 3000 - 15000	34561	Beipack FiltoClear 3000-15000	Additional pack FiltoClear 3000-15000
15	FiltoClear 3000 - 15000	34578	BG Spannring Druckfilter	ASM clamp pressure filter

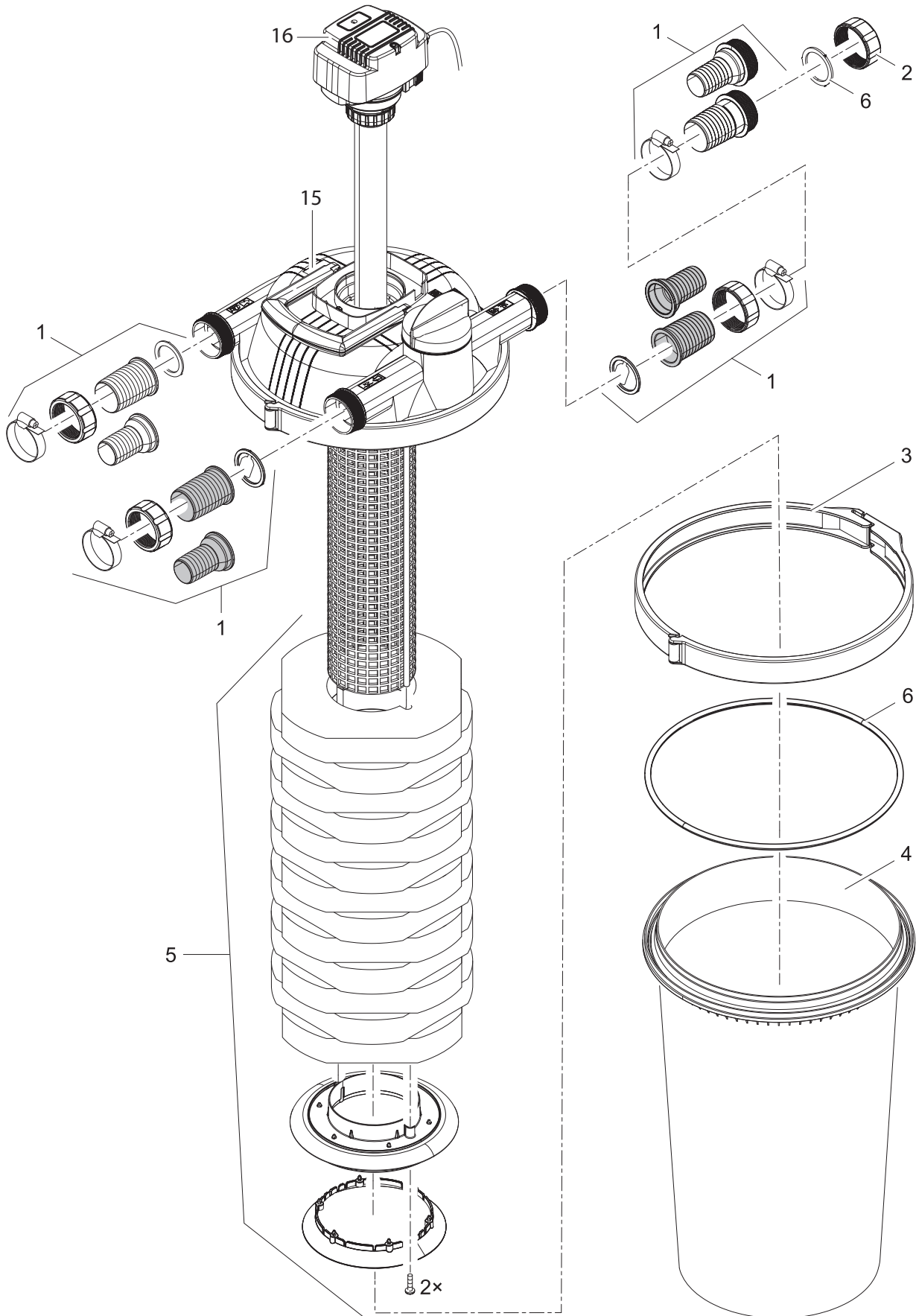
Produkt / Product

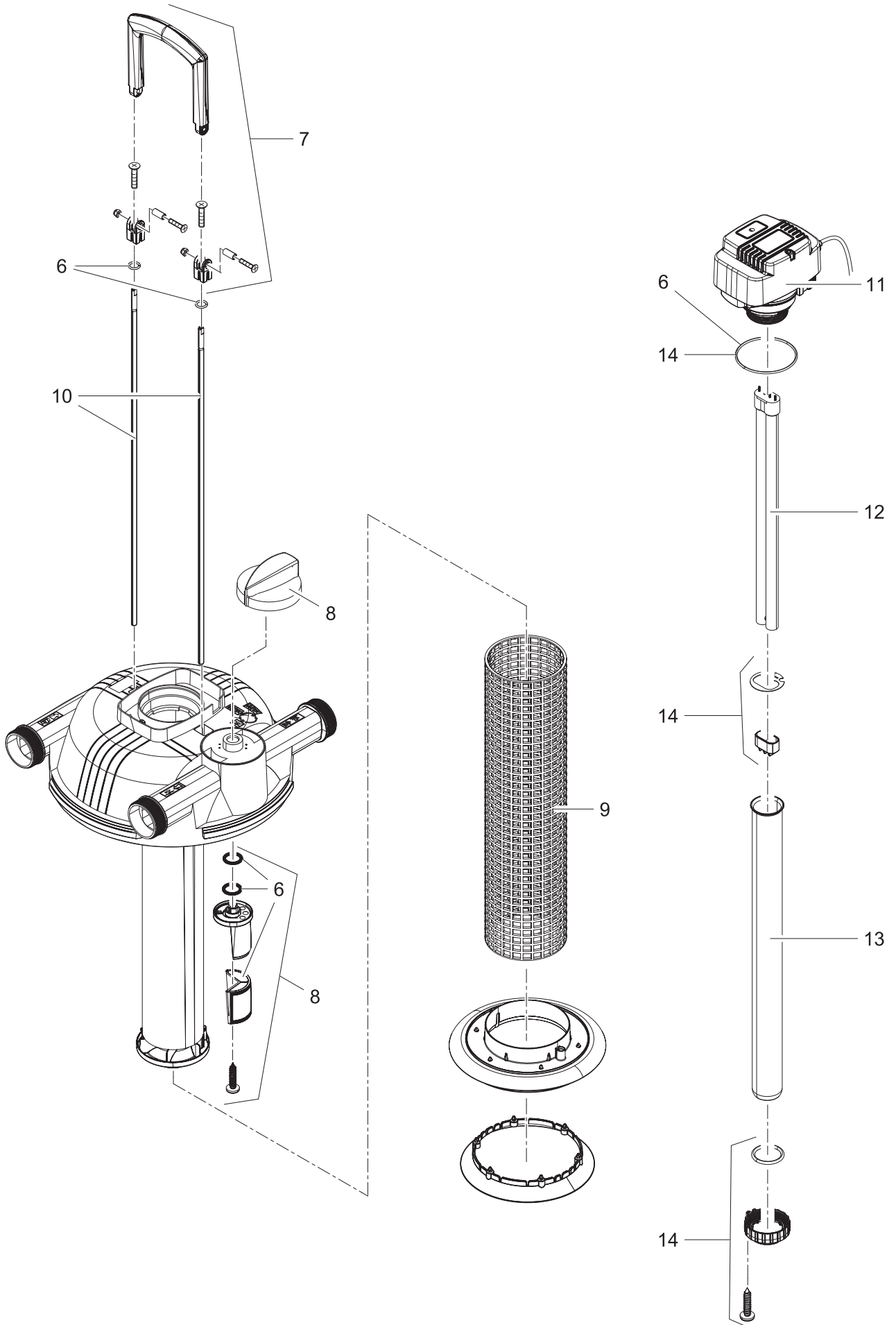
50576 FiltoClear 20000

50577 FiltoClear 30000

FILTER & BELÜFTER / FILTERS & AERATORS

DRUCKFILTER / PRESSURE FILTERS

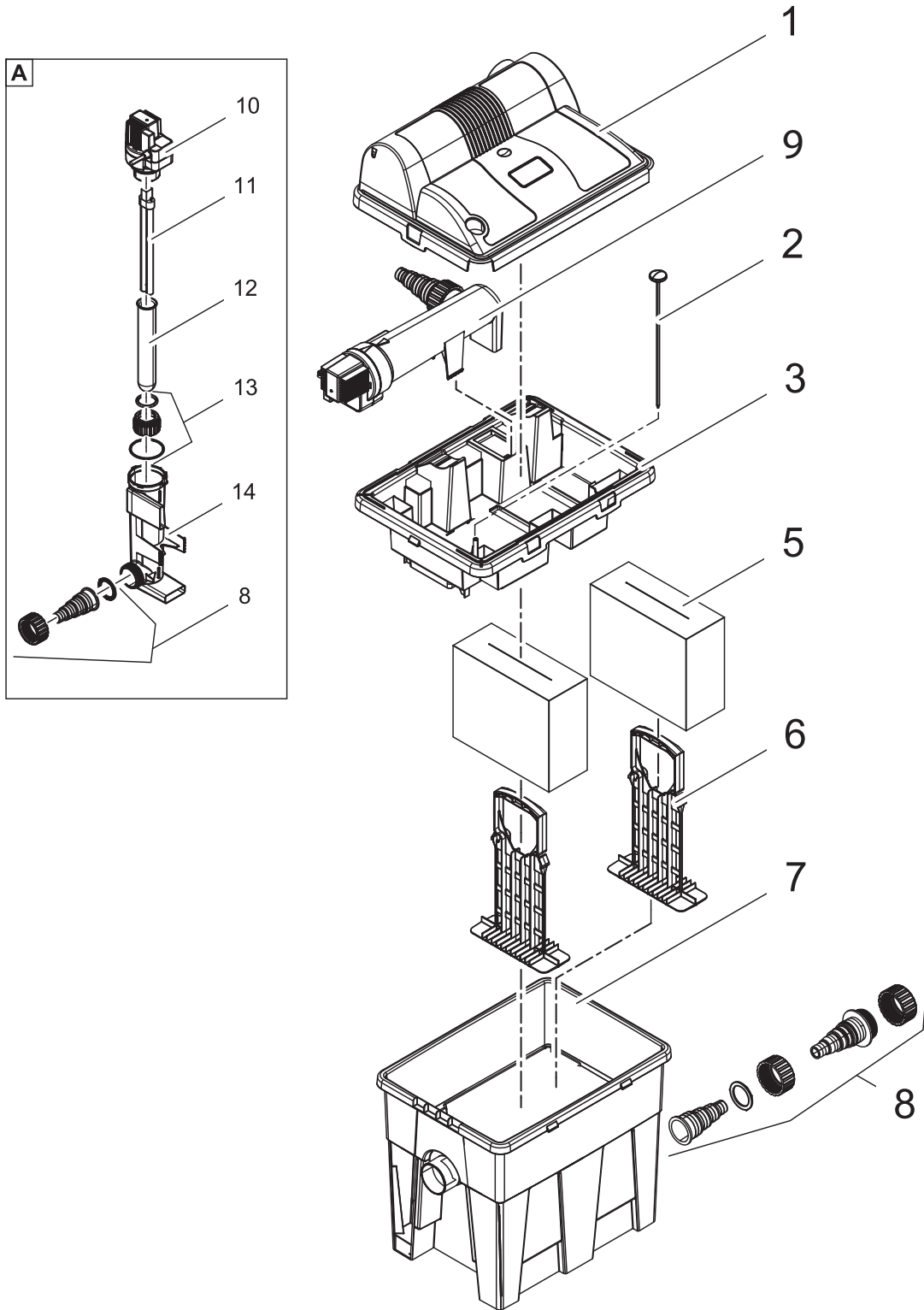




Pos.	Produkt / Product	Artikelnr. / Item no.	Ersatzteil	Spare part
1	FiltoClear 20000 - 30000	15830	Beipack FiltoClear 20000 / 30000	Additional pack FiltoClear 20000 / 30000
2	FiltoClear 20000 - 30000	25993	Schraubkappe 2"	Screw cap 2"
3	FiltoClear 20000 - 30000	34578	BG Spannring Druckfilter	ASM clamp pressure filter
4	FiltoClear 20000 - 30000	26527	Behälter FiltoClear 15000-30000	Filter box FiltoClear 15000-30000
5	FiltoClear 20000 - 30000	50600	Ersatzschwamm Set FiltoClear 20000/30000	Replacement foam set FiltoClear 20/30000
6	FiltoClear 20000 - 30000	16033	Dichtungsset FiltoClear 20000-30000	Gasket set FiltoClear 20000-30000
7	FiltoClear 20000 - 30000	16029	Ersatz Griff FiltoClear 20000 / 30000	Spare part handle FiltoClear 20000/30000
8	FiltoClear 20000 - 30000	16064	Ersatz Drehgriff FiltoClear 20000/30000	Spare part twist grip FiltoClear20/30000
9	FiltoClear 20000 - 30000	15469	Gitterrohr FiltoClear 20000-30000	Mesh tube FiltoClear 20000-30000
10	FiltoClear 20000 - 30000	26596	Reinigungsstange FiltoClear 15000-30000	Cleaning rod FiltoClear 15000-30000
11	FiltoClear 20000	15536	BG Lampenkopf FiltoClear UVC 36	ASM lamp head FiltoClear UVC 36
	FiltoClear 30000	15533	BG Lampenkopf FiltoClear UVC 55	ASM lamp head FiltoClear UVC 55
12	FiltoClear 20000	55432	Ersatzlampe UVC 36 W	Replacement bulb UVC 36 W
	FiltoClear 30000	56636	Ersatzlampe UVC 55 W	Replacement bulb UVC 55 W
13	FiltoClear 20000 - 30000	13331	Ersatz Quarzglasrohr Vitronic 36 / 55	Spare quartz glass tube Vitronic 36 / 55
14	FiltoClear 20000 - 30000	16031	Ersatz Klemmschraubenset FiltoClear36/55	Spare part clamp bolt set FiltoClear36/55
15	FiltoClear 20000 - 30000	15532	Ersatz Deckel FiltoClear 20000/30000	Spare part lid FiltoClear 20000 / 30000
16	FiltoClear 20000	15999	BG UVC FiltoClear 20000 kpl.	ASM UVC FiltoClear 20000 cpl.
	FiltoClear 30000	16000	BG UVC FiltoClear 30000 kpl.	ASM UVC FiltoClear 30000 cpl.

Produkt / Product

- 50525 BioSmart Set 5000
- 50449 BioSmart Set 7000
- 57375 BioSmart UVC 8000

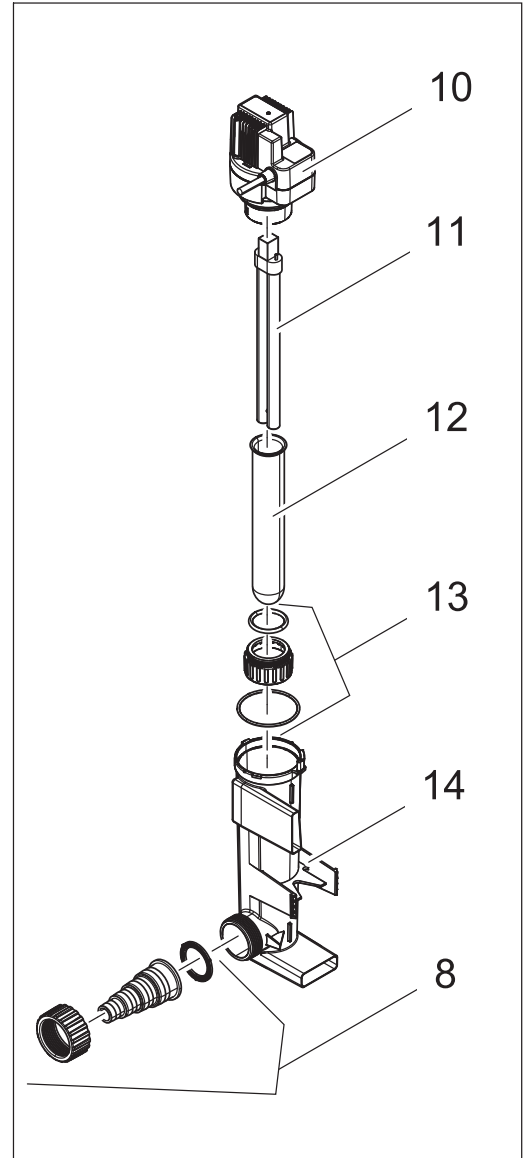
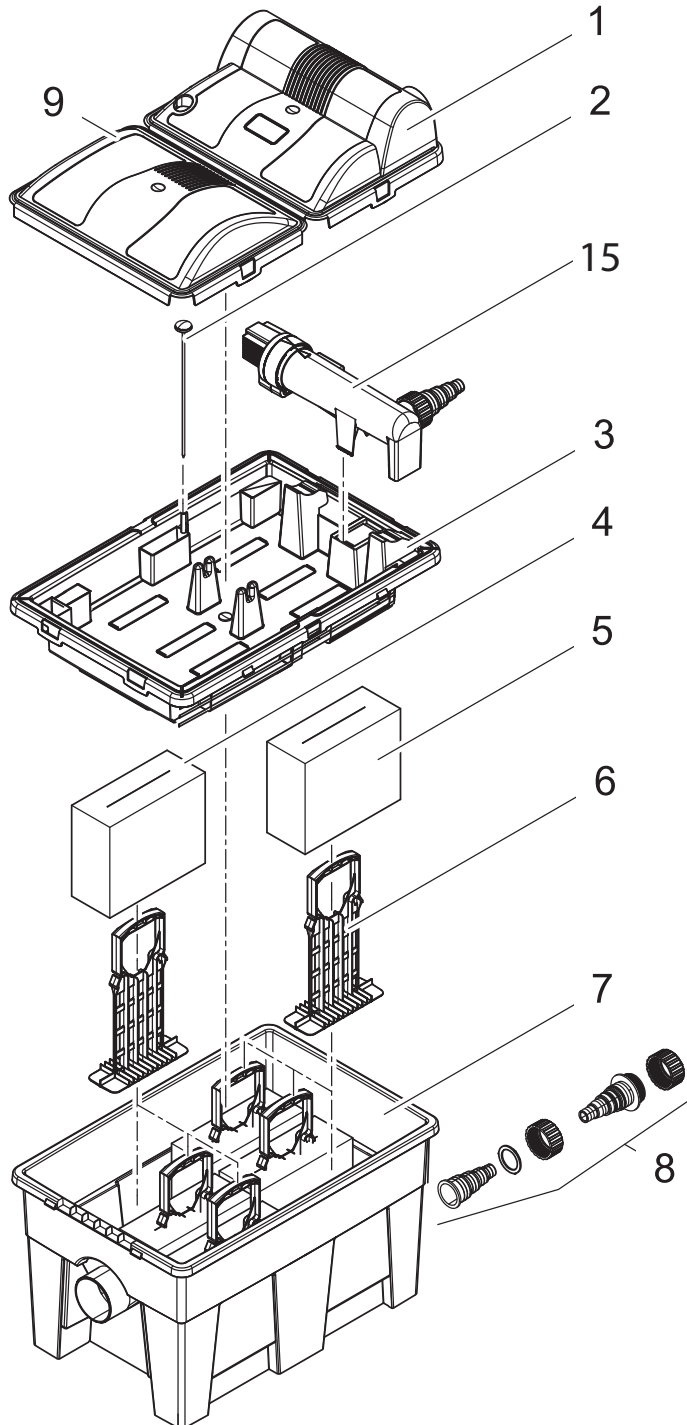


Pos.	Produkt / Product	Artikelnr. / Item no.	Ersatzteil	Spare part
1	BioSmart Set 5000 - 7000 / BioSmart UVC 8000	29404	Deckel UVC BioSmart	Cover UVC BioSmart
2	BioSmart Set 5000 - 7000 / BioSmart UVC 8000	26970	Thermometer Profiline Filter	Thermometer Profiline filter
3	BioSmart Set 5000	34896	Innendeckel BioSmart 5000	Inner cover BioSmart 5000
	BioSmart Set 7000	34897	Innendeckel BioSmart 7000/8000	Inner cover BioSmart 7000/8000
	BioSmart UVC 8000	34897	Innendeckel BioSmart 7000/8000	Inner cover BioSmart 7000/8000
4	BioSmart Set 5000 - 7000 / BioSmart UVC 8000	29401	Ersatzschwamm rot BioSmart 5/7/8000	Replacement foam red BioSmart 5/7/8000
	BioSmart Set 5000	25760	Ersatzschwamm blau BioSmart 5/7/8000	Replacement foam blue BioSmart 5/7/8000
5	BioSmart Set 7000	2 x 25760	Ersatzschwamm blau BioSmart 5/7/8000	Replacement foam blue BioSmart 5/7/8000
	BioSmart UVC 8000	2 x 25760	Ersatzschwamm blau BioSmart 5/7/8000	Replacement foam blue BioSmart 5/7/8000
	BioSmart Set 5000	2 x 34899	Schaumhalter DLF OEM03	Foam holder DLF OEM03
6	BioSmart Set 7000	3 x 34899	Schaumhalter DLF OEM03	Foam holder DLF OEM03
	BioSmart UVC 8000	3 x 34899	Schaumhalter DLF OEM03	Foam holder DLF OEM03
	BioSmart Set 5000	25727	Behälter BioSmart 5000-7000 mit UVC	Filter box BioSmart 5000-7000 with UVC
7	BioSmart Set 7000	25727	Behälter BioSmart 5000-7000 mit UVC	Filter box BioSmart 5000-7000 with UVC
	BioSmart UVC 8000	25729	Behälter BioSmart 8000-16000 mit UVC	Filter box BioSmart 8000-16000 with UVC
	BioSmart Set 5000 - 7000 / BioSmart UVC 8000	35204	Ersatz Anschlusset BioSm. 5-16000 m.UVC	Spare connection kit BioSm 5-16000 w UVC
8	BioSmart Set 5000	10763	BG UVC 7 W kpl.	ASM UVC 7 W cpl.
	BioSmart Set 7000	10767	BG UVC 9 W kpl.	ASM UVC 9 W cpl.
	BioSmart UVC 8000	10767	BG UVC 9 W kpl.	ASM UVC 9 W cpl.
9	BioSmart Set 5000 - 7000 / BioSmart UVC 8000	15665	BG UVC 7 / 9 / 11 W 2011	ASM UVC 7 / 9 / 11 W 2011
	BioSmart Set 5000	57111	Ersatzlampe UVC 7 W neutral	Replacement bulb UVC 7 W neutral
	BioSmart Set 7000	56112	Ersatzlampe UVC 11 W	Replacement bulb UVC 11 W
10	BioSmart UVC 8000	54984	Ersatzlampe UVC 9 W	Replacement bulb UVC 9 W
	BioSmart Set 5000 - 7000 / BioSmart UVC 8000	13312	Ersatz Quarzglas UVC 7 / 9 / 11 W	Spare quartz glass UVC 7 / 9 / 11 W
	BioSmart Set 5000 - 7000 / BioSmart UVC 8000	12090	Dichtungsset UVC 7 / 9 / 11 W	Sealing set UVC 7 W / 9 W / 11 W
11	BioSmart Set 5000 - 7000 / BioSmart UVC 8000	12090	Dichtungsset UVC 7 / 9 / 11 W	Sealing set UVC 7 W / 9 W / 11 W
12	BioSmart Set 5000 - 7000 / BioSmart UVC 8000	34900	UVC-Wassergehäuse DLF OEM03	UVC water housing DLF OEM03
13	BioSmart Set 5000 - 7000 / BioSmart UVC 8000	34900	UVC-Wassergehäuse DLF OEM03	UVC water housing DLF OEM03
14	BioSmart Set 5000 - 7000 / BioSmart UVC 8000	34900	UVC-Wassergehäuse DLF OEM03	UVC water housing DLF OEM03

Produkt / Product

50451 BioSmart Set 14000

57377 BioSmart UVC 16000



Pos.	Produkt / Product	Artikelnr. / Item no.	Ersatzteil	Spare part
1	BioSmart Set 14000 / BioSmart UVC 16000	29404	Deckel UVC BioSmart	Cover UVC BioSmart
2	BioSmart Set 14000 / BioSmart UVC 16000	26970	Thermometer Profiline Filter	Thermometer Profiline filter
3	BioSmart Set 14000 / BioSmart UVC 16000	25731	Innendeckel BioSmart 14000/16000	Inner cover BioSmart 14000/16000
4	BioSmart Set 14000 / BioSmart UVC 16000	3 x 35791	Ersatzschwamm rot BioSmart	Replacement foam red BioSmart
5	BioSmart Set 14000 / BioSmart UVC 16000	3 x 35792	Ersatzschwamm blau BioSmart	Replacement foam blue BioSmart
6	BioSmart Set 14000 / BioSmart UVC 16000	6 x 34899	Schaumhalter DLF OEM03	Foam holder DLF OEM03
7	BioSmart Set 14000 / BioSmart UVC 16000	25729	Behälter BioSmart 8000-16000 mit UVC	Filter box BioSmart 8000-16000 with UVC
8	BioSmart Set 14000 / BioSmart UVC 16000	35204	Ersatz Anschlussset BioSm. 5-16000 m.UVC	Spare connection kit BioSm 5-16000 w UVC
9	BioSmart Set 14000 / BioSmart UVC 16000	29405	Deckel BioSmart	Cover BioSmart
10	BioSmart Set 14000 / BioSmart UVC 16000	15665	BG UVC 7 / 9 / 11 W 2011	ASM UVC 7 / 9 / 11 W 2011
11	BioSmart Set 14000 / BioSmart UVC 16000	56112	Ersatzlampe UVC 11 W	Replacement bulb UVC 11 W
12	BioSmart Set 14000 / BioSmart UVC 16000	13312	Ersatz Quarzglas UVC 7 / 9 / 11 W	Spare quartz glass UVC 7 / 9 / 11 W
13	BioSmart Set 14000 / BioSmart UVC 16000	12090	Dichtungsset UVC 7 / 9 / 11 W	Sealing set UVC 7 W / 9 W / 11 W
14	BioSmart Set 14000 / BioSmart UVC 16000	34900	UVC-Wassergehäuse DLF OEM03	UVC water housing DLF OEM03
15	BioSmart Set 14000 / BioSmart UVC 16000	10768	BG UVC 11 W kpl. mit Wassergehäuse	ASM UVC 11 W cpl. with waterhousing



Produkt / Product

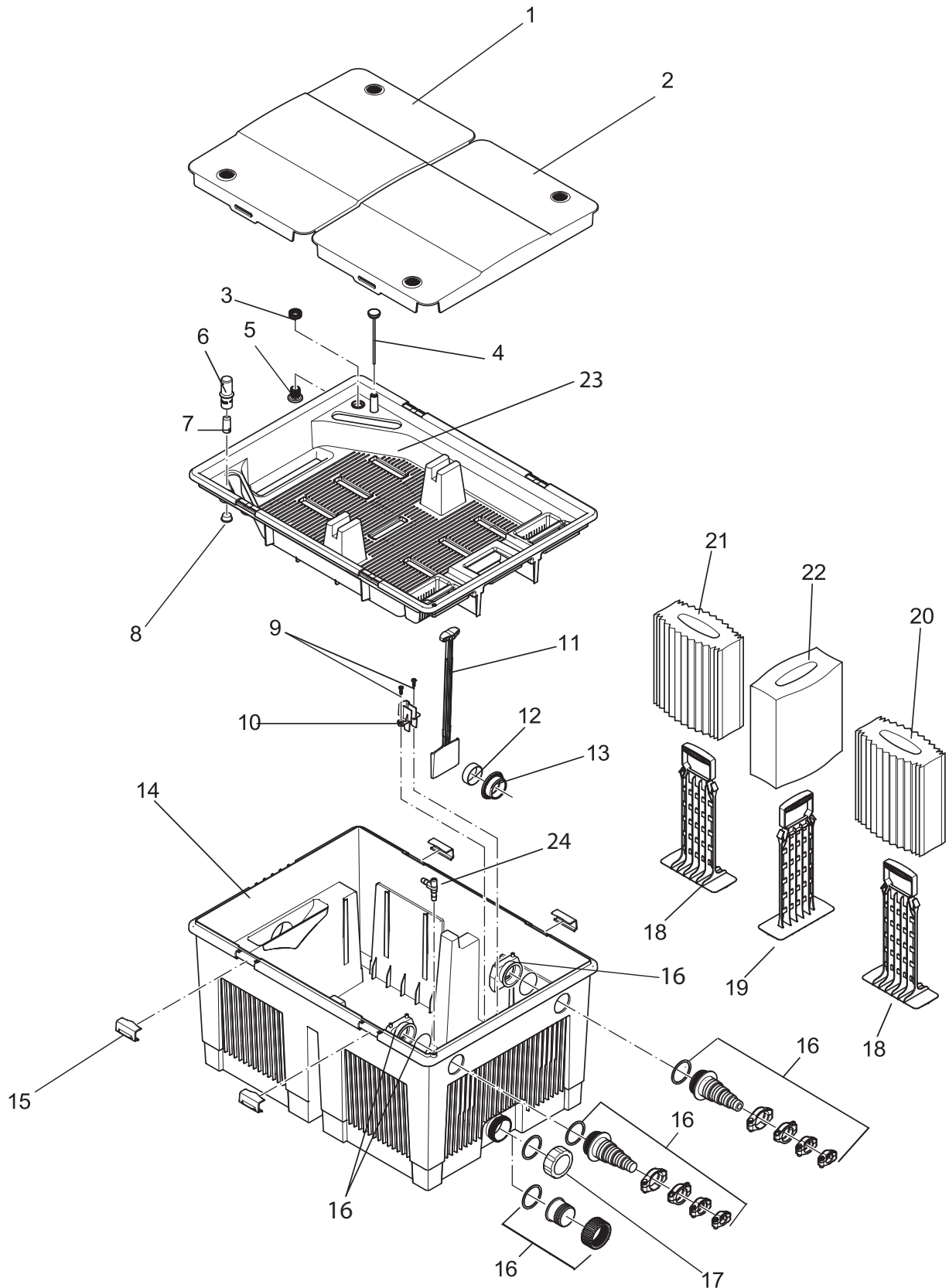
ehemals / formerly

56641 BioSmart 30000

BioTec 10.1

50531 BioSmart Set 20000

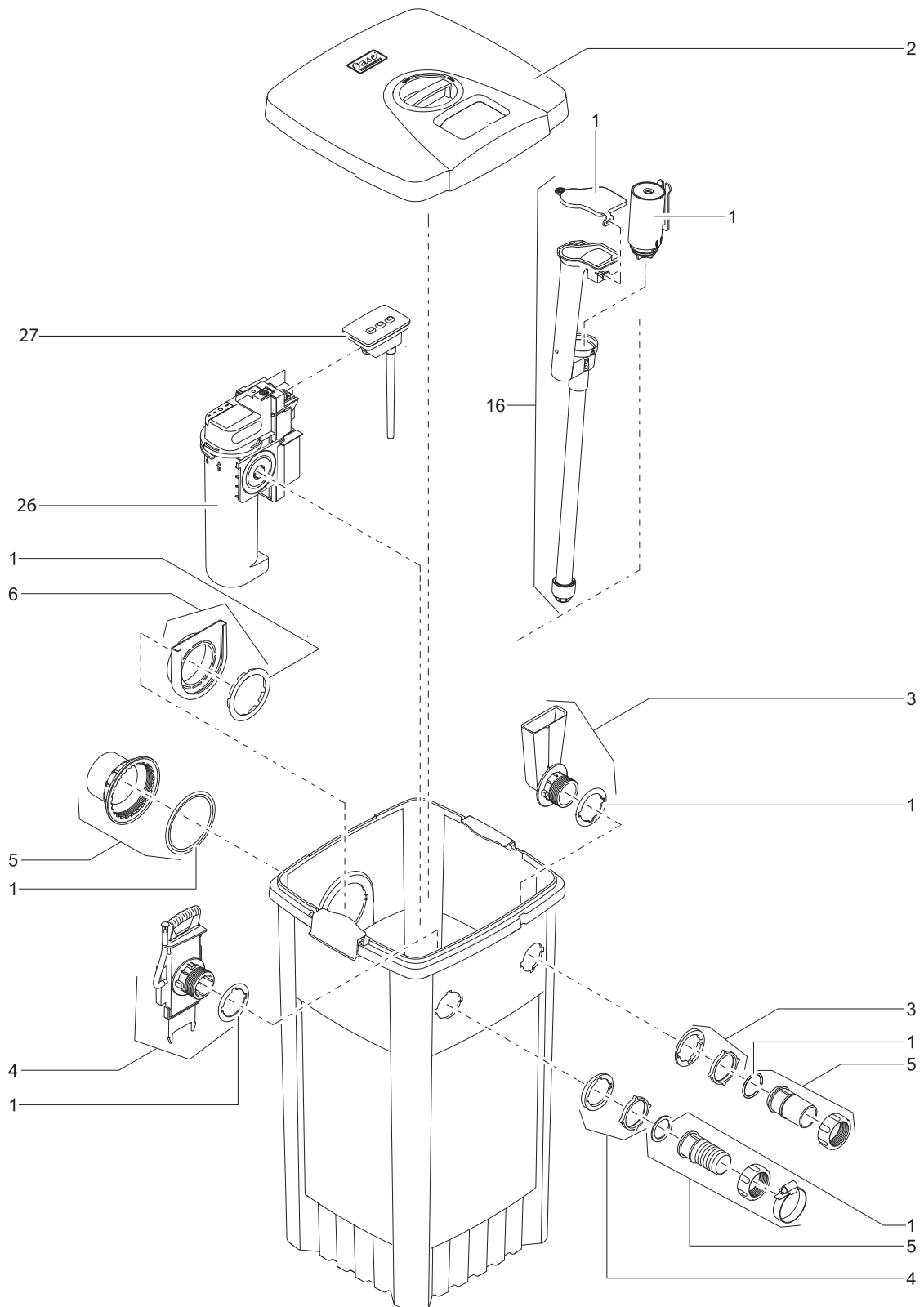
50587 BioSmart Set 30000

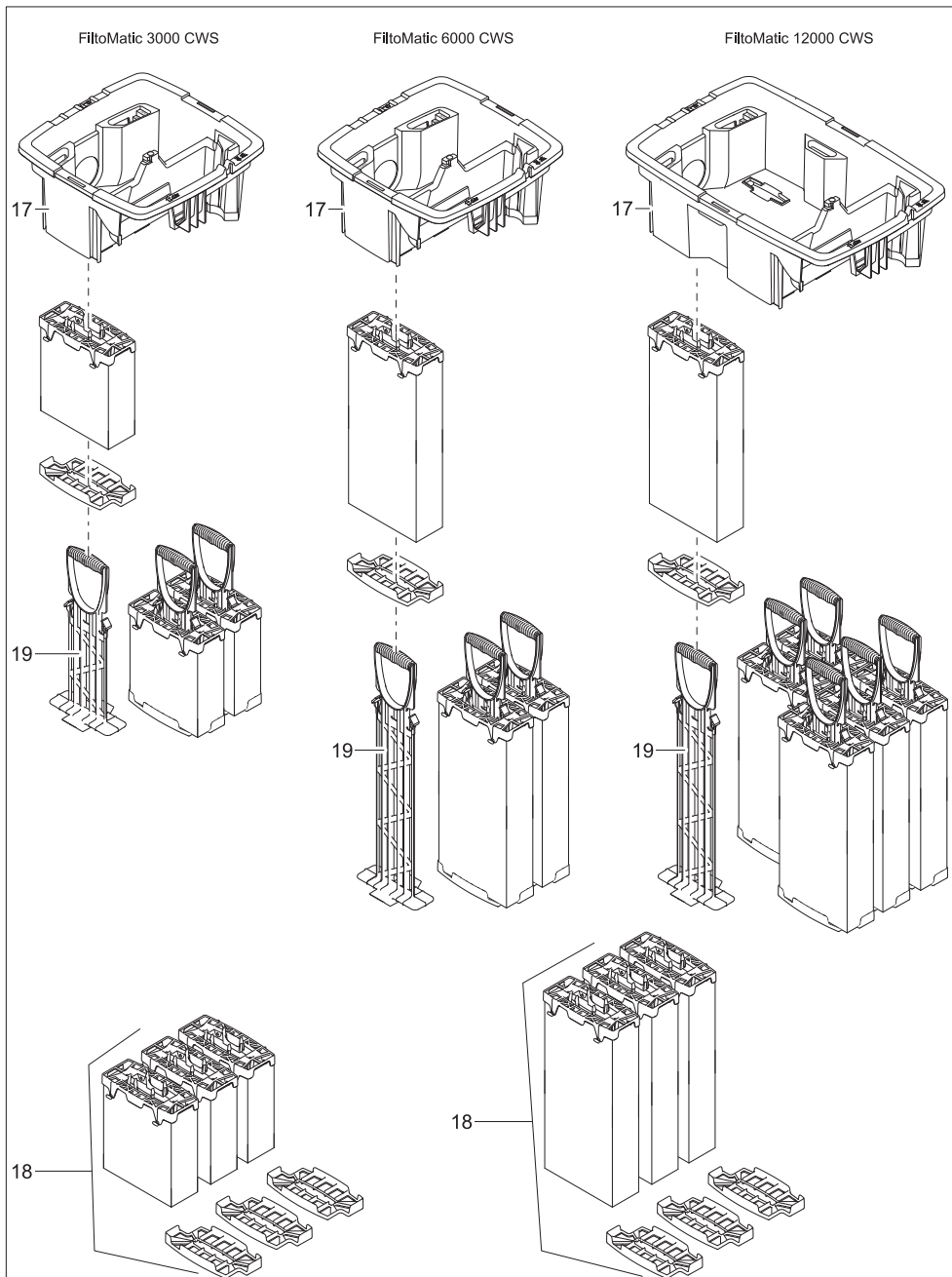
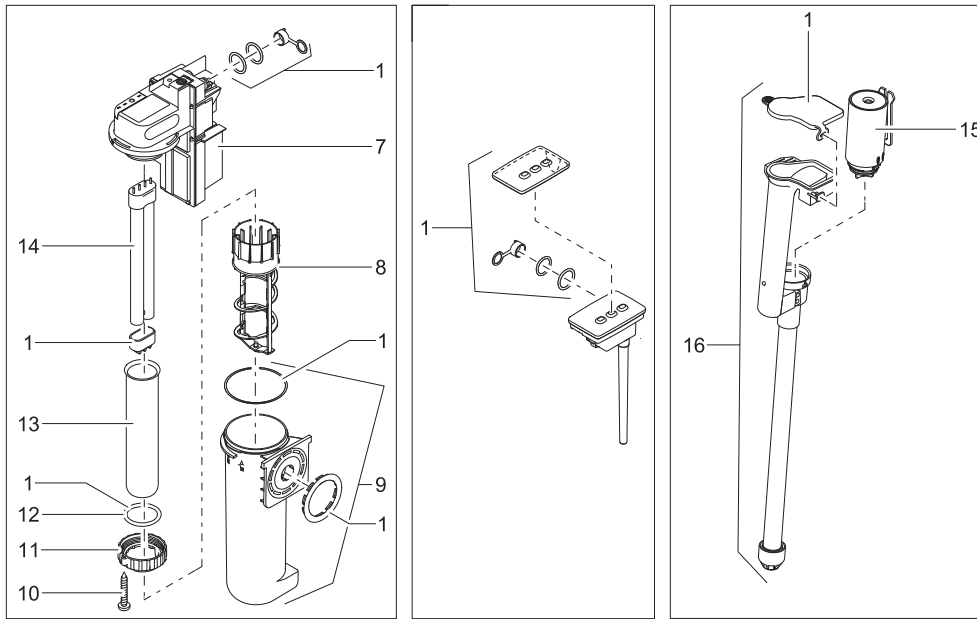


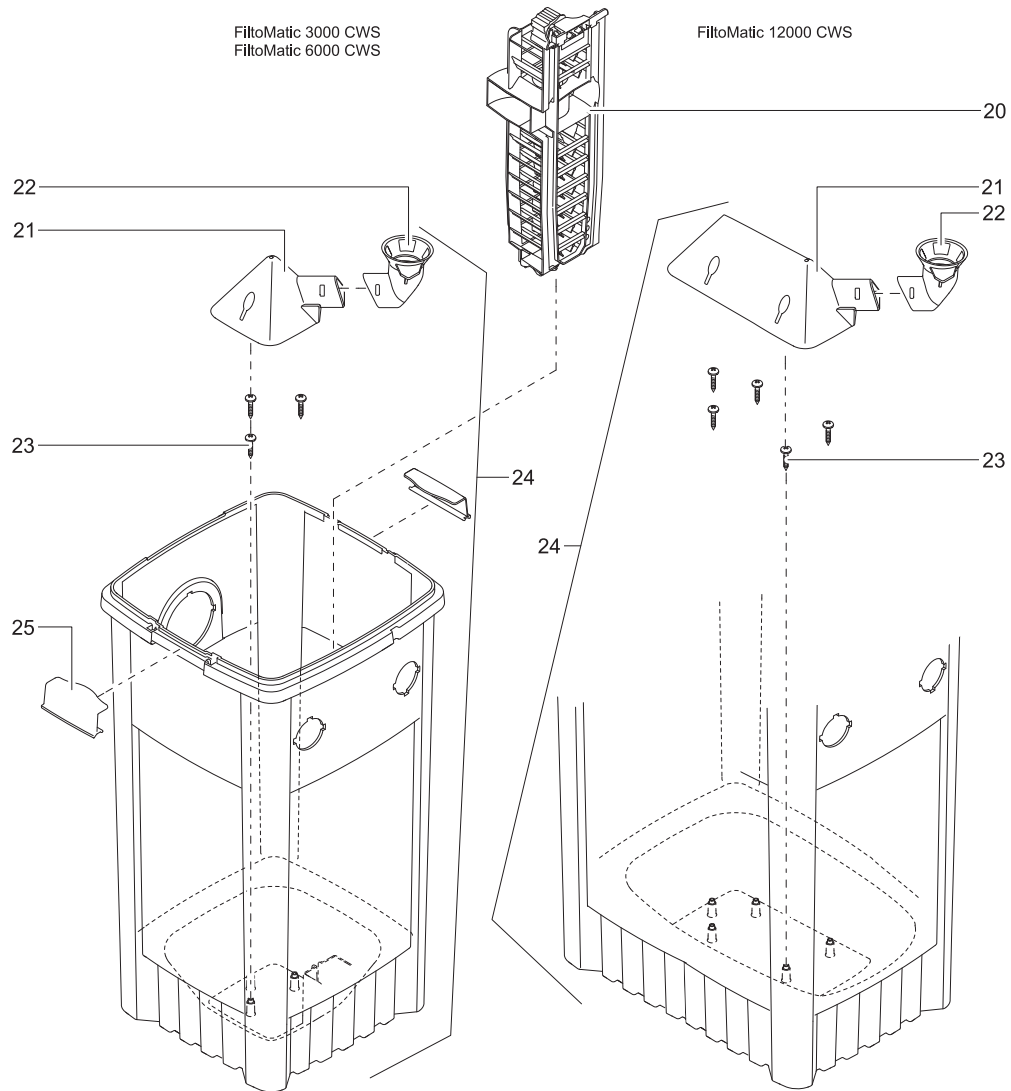
Pos.	Produkt / Product	Artikelnr. / Item no.	Ersatzteil	Spare part
1	BioSmart Set 20000 - 30000 / BioSmart 30000	26079	Deckel BioTec 5.1 / 10.1 ohne Gitter	Cover BioTec 5.1 / 10.1 w/o grating
2	BioSmart Set 20000 - 30000 / BioSmart 30000	26214	Deckel BioSmart 30000 mit Gitter	Cover BioSmart 30000 with grating
3	BioSmart Set 20000 - 30000 / BioSmart 30000	26636	Steckschlauchanschluss 1/2"	Coupling nut 1/2"
4	BioSmart Set 20000 - 30000 / BioSmart 30000	26970	Thermometer Profiline Filter	Thermometer Profiline filter
5	BioSmart Set 20000 - 30000 / BioSmart 30000	5542	PVC Nippel grau 1/2"	PVC nipple grey 1/2"
6	BioSmart Set 20000 - 30000 / BioSmart 30000	35083	Gehäuse Niveauanzeiger BioTec 5.1 / 10.1	Housing level indicator BioTec 5.1/10.1
7	BioSmart Set 20000 - 30000 / BioSmart 30000	35084	Schwimmer Niveauanzeiger BioTec 5.1/10.1	Float level indicator BioTec 5.1 / 10.1
8	BioSmart Set 20000 - 30000 / BioSmart 30000	26418	Verschlussstopfen Wasserstandsmelder	Sealing plug water level control
9	BioSmart Set 20000 - 30000 / BioSmart 30000	22853	Linsenschraube V2A DIN 7981 4,8 x 19	Oval head screw V2A DIN 7981 4.8 x 19
10	BioSmart Set 20000 - 30000 / BioSmart 30000	35089	Führung Schieber	Guiding gate valve
11	BioSmart Set 20000 - 30000 / BioSmart 30000	35085	Ablaufschieber BioTec 5.1 / 10.1	Drain valve BioTec 5.1 / 10.1
12	BioSmart Set 20000 - 30000 / BioSmart 30000	35103	Stützhülse Dichtung	Support sleeve gasket
13	BioSmart Set 20000 - 30000 / BioSmart 30000	26209	Ablaufdichtung BioTec 5.1 / 10.1 SH60	Sealing BioTec 5.1 / 10.1 SH60
14	BioSmart Set 20000 - 30000 / BioSmart 30000	26077	Behälter BioSmart 30000	Filter box BioSmart 30000
15	BioSmart Set 20000 - 30000 / BioSmart 30000	35086	Halteklammer BioTec 5.1 / 10.1	Holding clamp BioTec 5.1 / 10.1
16	BioSmart Set 20000 - 30000 / BioSmart 30000	35183	Beipack BioTec 5.1 / 10.1	Additional pack BioTec 5.1 / 10.1
17	BioSmart Set 20000 - 30000 / BioSmart 30000	25993	Schraubkappe 2"	Screw cap 2"
18	BioSmart Set 20000 - 30000 / BioSmart 30000	8 x 35047	Schaumhalter BioTec 5.1/10.1 offen blau	Foam holder BioTec 5.1/10.1 open blue
19	BioSmart Set 20000 - 30000 / BioSmart 30000	35082	Schaumhalter BioTec 5.1/10.1 geschl. sw	Foam holder BioTec 5.1/10.1 closed black
20	BioSmart Set 20000 - 30000 / BioSmart 30000	4 x 56678	Ersatzschwamm blau BioTec 5.1 / 10.1	Replacement foam blue BioTec 5.1 / 10.1
21	BioSmart Set 20000 - 30000 / BioSmart 30000	4 x 56677	Ersatzschwamm rot BioTec 5.1 / 10.1	Replacement foam red BioTec 5.1 / 10.1
22	BioSmart Set 20000 - 30000 / BioSmart 30000	56679	Ersatzschwamm grün BioTec 5.1 / 10.1	Replacement foam green BioTec 5.1 / 10.1
23	BioSmart Set 20000 - 30000 / BioSmart 30000	26078	Innendeckel BioSmart 30000	Inner cover BioSmart 30000
24	BioSmart Set 20000 - 30000 / BioSmart 30000	35087	Luftanschluss BioTec 5.1 / 10.1	Air connection BioTec 5.1 / 10.1

Produkt / Product

- 50228 FiltoMatic CWS 3000
- 50229 FiltoMatic CWS 6000
- 50906 FiltoMatic CWS 7000
- 50230 FiltoMatic CWS 12000
- 50910 FiltoMatic CWS 14000
- 50925 FiltoMatic CWS 25000







Pos.	Produkt / Product	Artikelnr. / Item no.	Ersatzteil	Spare part
1	FiltoMatic CWS 3000 - 25000	12572	BG Dichtungssset FiltoMatic	ASM gasket set FiltoMatic
2	FiltoMatic CWS 3000	12447	BG Deckel FiltoMatic CWS 3000 / 6000	ASM lid FiltoMatic CWS 3000 / 6000
	FiltoMatic CWS 6000	12447	BG Deckel FiltoMatic CWS 3000 / 6000	ASM lid FiltoMatic CWS 3000 / 6000
	FiltoMatic CWS 7000	12447	BG Deckel FiltoMatic CWS 3000 / 6000	ASM lid FiltoMatic CWS 3000 / 6000
	FiltoMatic CWS 12000	12481	BG Deckel FiltoMatic CWS 12000	ASM lid FiltoMatic CWS 12000
	FiltoMatic CWS 14000	12447	BG Deckel FiltoMatic CWS 3000 / 6000	ASM lid FiltoMatic CWS 3000 / 6000
	FiltoMatic CWS 25000	12481	BG Deckel FiltoMatic CWS 12000	ASM lid FiltoMatic CWS 12000
3	FiltoMatic CWS 3000 - 25000	12082	BG Schmutzauslauf FiltoMatic	ASM dirt outlet FiltoMatic
4	FiltoMatic CWS 3000 - 25000	11367	BG Schieber Einlauf FiltoMatic	ASM gate inlet FiltoMatic
5	FiltoMatic CWS 3000 - 25000	11384	Beipack FiltoMatic	Additional pack FiltoMatic
6	FiltoMatic CWS 3000 - 25000	11364	BG Auslaufmutter	ASM outlet nut
7	FiltoMatic CWS 3000	11374	Ersatz UVC 11 Elektroinheit FiltoMatic	Spare UVC 11 electronic FiltoMatic
	FiltoMatic CWS 6000	11459	Ersatz UVC 18 Elektroinheit FiltoMatic	Spare UVC 18 electronic FiltoMatic
	FiltoMatic CWS 7000	11374	Ersatz UVC 11 Elektroinheit FiltoMatic	Spare UVC 11 electronic FiltoMatic
	FiltoMatic CWS 12000	11460	Ersatz UVC 24 Elektroinheit FiltoMatic	Spare UVC 24 electronic FiltoMatic
	FiltoMatic CWS 14000	11460	Ersatz UVC 24 Elektroinheit FiltoMatic	Spare UVC 24 electronic FiltoMatic
	FiltoMatic CWS 25000	18231	Ersatz BG UVC 24 Reflektor FiltoMatic	Spare ASM UVC 24 reflector FiltoMatic

Pos.	Produkt / Product	Artikelnr. / Item no.	Ersatzteil	Spare part
8	FiltoMatic CWS 3000	12703	BG Reinigungsrotor FiltoMatic UVC 11	ASM cleaning rotor FiltoMatic UVC 11
	FiltoMatic CWS 6000	12704	BG Reinigungsrotor FiltoMatic UVC 18	ASM cleaning rotor FiltoMatic UVC 18
	FiltoMatic CWS 7000	12703	BG Reinigungsrotor FiltoMatic UVC 11	ASM cleaning rotor FiltoMatic UVC 11
	FiltoMatic CWS 12000	12705	BG Reinigungsrotor FiltoMatic UVC 24	ASM cleaning rotor FiltoMatic UVC 24
	FiltoMatic CWS 14000	12705	BG Reinigungsrotor FiltoMatic UVC 24	ASM cleaning rotor FiltoMatic UVC 24
	FiltoMatic CWS 25000	12705	BG Reinigungsrotor FiltoMatic UVC 24	ASM cleaning rotor FiltoMatic UVC 24
9	FiltoMatic CWS 3000	12698	BG Wassergehäuse FiltoMatic 3000 / 6000	ASM waterhousing FiltoMatic 3000 / 6000
	FiltoMatic CWS 6000	12698	BG Wassergehäuse FiltoMatic 3000 / 6000	ASM waterhousing FiltoMatic 3000 / 6000
	FiltoMatic CWS 7000	12698	BG Wassergehäuse FiltoMatic 3000 / 6000	ASM waterhousing FiltoMatic 3000 / 6000
	FiltoMatic CWS 12000	12700	BG Wassergehäuse FiltoMatic 12000	ASM waterhousing FiltoMatic 12000
	FiltoMatic CWS 14000	12700	BG Wassergehäuse FiltoMatic 12000	ASM waterhousing FiltoMatic 12000
	FiltoMatic CWS 25000	17908	Ersatzteil Wassergehäuse FiltoMatic25000	Spare part waterhousing FiltoMatic 25000
10	FiltoMatic CWS 3000 - 25000	27891	Linsenschraube V2A DIN 7981 3,5 x 22	Oval head screw V2A DIN 7981 3.5 x 22
11	FiltoMatic CWS 3000	12049	Klemmschraube FiltoMatic / Filtral 11 W	Clamp screw FiltoMatic / Filtral 11 W
	FiltoMatic CWS 6000	12054	Klemmschraube FiltoMatic 18 / 24 W	Clamp screw FiltoMatic 18 / 24
	FiltoMatic CWS 7000	12049	Klemmschraube FiltoMatic / Filtral 11 W	Clamp screw FiltoMatic / Filtral 11 W
	FiltoMatic CWS 12000	12054	Klemmschraube FiltoMatic 18 / 24 W	Clamp screw FiltoMatic 18 / 24
	FiltoMatic CWS 14000	12054	Klemmschraube FiltoMatic 18 / 24 W	Clamp screw FiltoMatic 18 / 24
	FiltoMatic CWS 25000	12054	Klemmschraube FiltoMatic 18 / 24 W	Clamp screw FiltoMatic 18 / 24
12	FiltoMatic CWS 3000	19475	O-Ring Viton 32 x 4 SH70	O-Ring Viton 32 x 4 SH70
	FiltoMatic CWS 6000	26143	O-Ring Viton 42 x 5 SH50	O-Ring Viton 42 x 5 SH50
	FiltoMatic CWS 7000	19475	O-Ring Viton 32 x 4 SH70	O-Ring Viton 32 x 4 SH70
	FiltoMatic CWS 12000	26143	O-Ring Viton 42 x 5 SH50	O-Ring Viton 42 x 5 SH50
	FiltoMatic CWS 14000	26143	O-Ring Viton 42 x 5 SH50	O-Ring Viton 42 x 5 SH50
	FiltoMatic CWS 25000	26143	O-Ring Viton 42 x 5 SH50	O-Ring Viton 42 x 5 SH50
13	FiltoMatic CWS 3000	13312	Ersatz Quarzglas UVC 7 / 9 / 11 W	Spare quartz glass UVC 7 / 9 / 11 W
	FiltoMatic CWS 6000	13329	Ersatz Quarzglas UVC 18 Vitronic 18 W	Spare quartz glass UVC 18 Vitronic 18
	FiltoMatic CWS 7000	13312	Ersatz Quarzglas UVC 7 / 9 / 11 W	Spare quartz glass UVC 7 / 9 / 11 W
	FiltoMatic CWS 12000	13332	Ersatz Quarzglas UVC 24 FiltoMatic	Spare quartz glass UVC 24 FiltoMatic
	FiltoMatic CWS 14000	13332	Ersatz Quarzglas UVC 24 FiltoMatic	Spare quartz glass UVC 24 FiltoMatic
	FiltoMatic CWS 25000	13332	Ersatz Quarzglas UVC 24 FiltoMatic	Spare quartz glass UVC 24 FiltoMatic
14	FiltoMatic CWS 3000	56112	Ersatzlampe UVC 11 W	Replacement bulb UVC 11 W
	FiltoMatic CWS 6000	56236	Ersatzlampe UVC 18 W	Replacement bulb UVC 18 W
	FiltoMatic CWS 7000	56112	Ersatzlampe UVC 11 W	Replacement bulb UVC 11 W
	FiltoMatic CWS 12000	56237	Ersatzlampe UVC 24 W	Replacement bulb UVC 24 W
	FiltoMatic CWS 14000	56237	Ersatzlampe UVC 24 W	Replacement bulb UVC 24 W
	FiltoMatic CWS 25000	56237	Ersatzlampe UVC 24 W	Replacement bulb UVC 24 W
15	FiltoMatic CWS 3000 - 25000	11381	BG Schmutzpumpe FiltoMatic	ASM dirt pump FiltoMatic
16	FiltoMatic CWS 3000	12319	BG Schmutzrohr geklebt FiltoMatic 3000	ASM dirt tube glued FiltoMatic 3000
	FiltoMatic CWS 6000	12321	BG Schmutzrohr geklebt FiltoMatic6/12000	ASM dirt tube glued FiltoMatic 6/12000
	FiltoMatic CWS 7000	12319	BG Schmutzrohr geklebt FiltoMatic 3000	ASM dirt tube glued FiltoMatic 3000
	FiltoMatic CWS 12000	12321	BG Schmutzrohr geklebt FiltoMatic6/12000	ASM dirt tube glued FiltoMatic 6/12000
	FiltoMatic CWS 14000	12321	BG Schmutzrohr geklebt FiltoMatic6/12000	ASM dirt tube glued FiltoMatic 6/12000
	FiltoMatic CWS 25000	12321	BG Schmutzrohr geklebt FiltoMatic6/12000	ASM dirt tube glued FiltoMatic 6/12000
17	FiltoMatic CWS 3000	10857	Innendeckel FiltoMatic 3000 / 6000	Inner cover FiltoMatic 3000 / 6000
	FiltoMatic CWS 6000	10857	Innendeckel FiltoMatic 3000 / 6000	Inner cover FiltoMatic 3000 / 6000
	FiltoMatic CWS 7000	10857	Innendeckel FiltoMatic 3000 / 6000	Inner cover FiltoMatic 3000 / 6000
	FiltoMatic CWS 12000	10860	Innendeckel FiltoMatic 12000	Inner cover FiltoMatic 12000
	FiltoMatic CWS 14000	10857	Innendeckel FiltoMatic 3000 / 6000	Inner cover FiltoMatic 3000 / 6000
	FiltoMatic CWS 25000	10860	Innendeckel FiltoMatic 12000	Inner cover FiltoMatic 12000

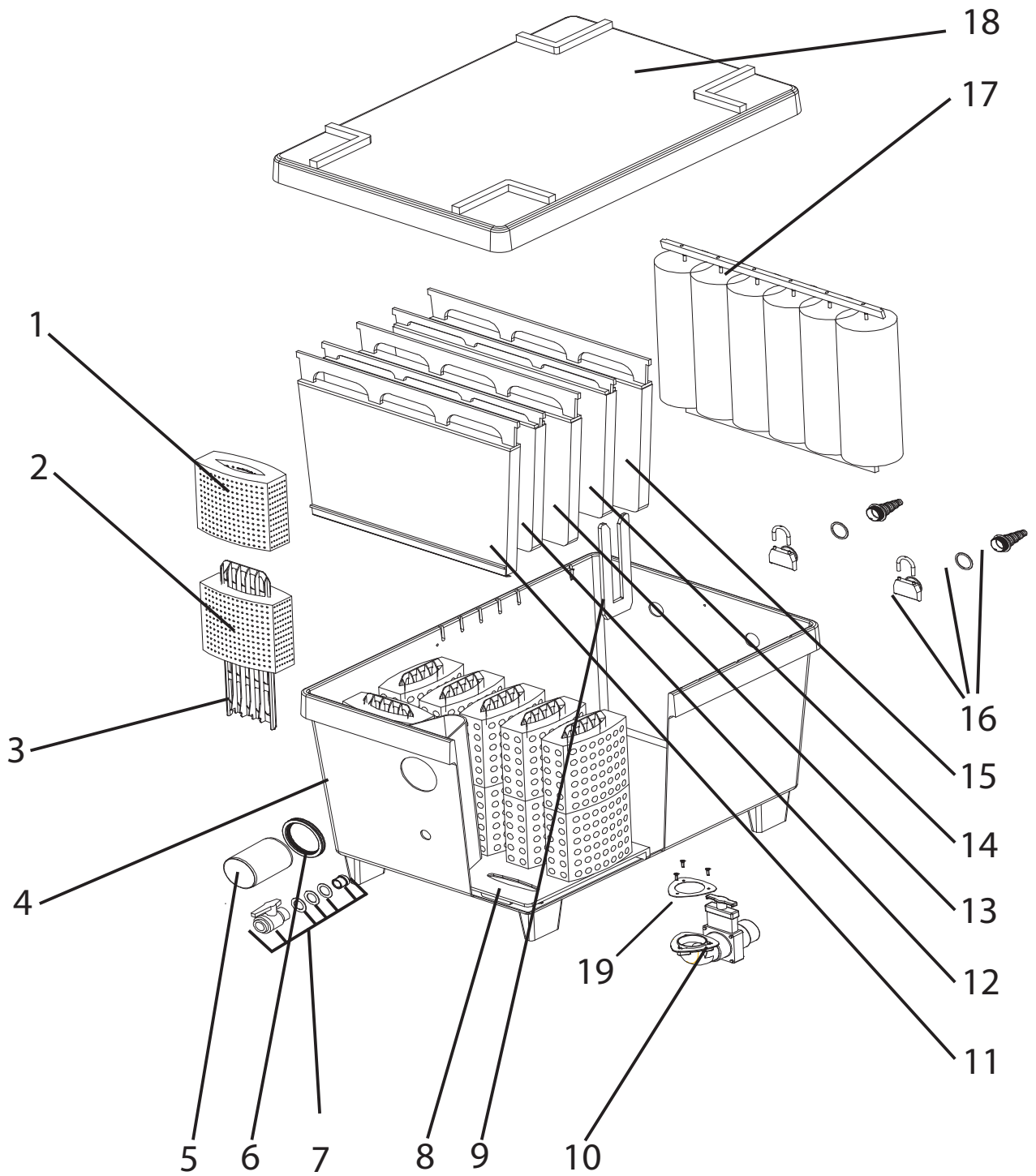
Pos.	Produkt / Product	Artikelnr. / Item no.	Ersatzteil	Spare part
18	FiltoMatic CWS 3000	50901	Filterpatronenset FiltoMatic CWS 3000	Filtercartridge set FiltoMatic CWS 3000
	FiltoMatic CWS 6000	50904	Filterpatronenset FiltoMa.CWS 6000/12000	Filtercartridge set FiltoMa. CWS 6/12000
	FiltoMatic CWS 7000	50901	Filterpatronenset FiltoMatic CWS 7000	Filtercartridge Set FiltoMatic CWS 7000
	FiltoMatic CWS 12000	2 x 50904	Filterpatronenset FiltoMa.CWS 6000/12000	Filtercartridge set FiltoMa. CWS 6/12000
	FiltoMatic CWS 14000	50904	Filterpatronenset FiltoMa.CWS14000/25000	Filtercartridge set FiltoMa CWS 14/25000
	FiltoMatic CWS 25000	2 x 50904	Filterpatronenset FiltoMa.CWS14000/25000	Filtercartridge set FiltoMa CWS 14/25000
19	FiltoMatic CWS 3000	3 x 11050	Schaumhalter FiltoMatic 3000	Foam holder FiltoMatic 3000
	FiltoMatic CWS 6000	3 x 11052	Schaumhalter FiltoMatic 6000/12000	Foam holder FiltoMatic 6000/12000
	FiltoMatic CWS 7000	3 x 11050	Schaumhalter FiltoMatic 3000	Foam holder FiltoMatic 3000
	FiltoMatic CWS 12000	6 x 11052	Schaumhalter FiltoMatic 6000/12000	Foam holder FiltoMatic 6000/12000
	FiltoMatic CWS 14000	3 x 11052	Schaumhalter FiltoMatic 6000/12000	Foam holder FiltoMatic 6000/12000
	FiltoMatic CWS 25000	6 x 11052	Schaumhalter FiltoMatic 6000/12000	Foam holder FiltoMatic 6000/12000
20	FiltoMatic CWS 3000	11425	BG Lamelle 3000	ASM Lamella 3000
	FiltoMatic CWS 6000	11434	BG Lamelle 6000	ASM Lamella 6000
	FiltoMatic CWS 7000	11425	BG Lamelle 3000	ASM Lamella 3000
	FiltoMatic CWS 12000	12029	BG Lamelle 12000	ASM Lamella 12000
	FiltoMatic CWS 14000	17684	BG Lamelle 14000 / 25000	ASM lamella 14000 / 25000
	FiltoMatic CWS 25000	17684	BG Lamelle 14000 / 25000	ASM lamella 14000 / 25000
21	FiltoMatic CWS 3000	11380	Pyramidenoberteil 3000 / 6000	Pyramide top 3000/6000
	FiltoMatic CWS 6000	11380	Pyramidenoberteil 3000 / 6000	Pyramide top 3000/6000
	FiltoMatic CWS 7000	11380	Pyramidenoberteil 3000 / 6000	Pyramide top 3000/6000
	FiltoMatic CWS 12000	12086	Pyramidenoberteil 12000	Pyramide upper part 12000
	FiltoMatic CWS 14000	11380	Pyramidenoberteil 3000 / 6000	Pyramide top 3000/6000
	FiltoMatic CWS 25000	12086	Pyramidenoberteil 12000	Pyramide upper part 12000
22	FiltoMatic CWS 3000 - 25000	12114	Pyramidenanschluss	Pyramide connection
23	FiltoMatic CWS 3000	3 x 25000	Linsenschraube V2A DIN 7981 4,8 x 22	Oval head screw V2A DIN 7981 4.8 x 22
	FiltoMatic CWS 6000	3 x 25000	Linsenschraube V2A DIN 7981 4,8 x 22	Oval head screw V2A DIN 7981 4.8 x 22
	FiltoMatic CWS 7000	3 x 25000	Linsenschraube V2A DIN 7981 4,8 x 22	Oval head screw V2A DIN 7981 4.8 x 22
	FiltoMatic CWS 12000	5 x 25000	Linsenschraube V2A DIN 7981 4,8 x 22	Oval head screw V2A DIN 7981 4.8 x 22
	FiltoMatic CWS 14000	3 x 25000	Linsenschraube V2A DIN 7981 4,8 x 22	Oval head screw V2A DIN 7981 4.8 x 22
	FiltoMatic CWS 25000	5 x 25000	Linsenschraube V2A DIN 7981 4,8 x 22	Oval head screw V2A DIN 7981 4.8 x 22
24	FiltoMatic CWS 3000	12003	BG Behälter FiltoMatic 3000	ASM filter box FiltoMatic 3000
	FiltoMatic CWS 6000	12051	BG Behälter FiltoMatic 6000	ASM filter box FiltoMatic 6000
	FiltoMatic CWS 7000	12003	BG Behälter FiltoMatic 3000	ASM filter box FiltoMatic 3000
	FiltoMatic CWS 12000	12401	BG Behälter FiltoMatic 12000	ASM filter box FiltoMatic 12000
	FiltoMatic CWS 14000	12051	BG Behälter FiltoMatic 6000	ASM filter box FiltoMatic 6000
	FiltoMatic CWS 25000	12401	BG Behälter FiltoMatic 12000	ASM filter box FiltoMatic 12000
25	FiltoMatic CWS 3000 - 25000	11041	Rasthaken Innendeckel FiltoMatic	Holder inner cover FiltoMatic
26	FiltoMatic CWS 3000	11383	BG FiltoMatic UVC 11	ASM FiltoMatic UVC 11
	FiltoMatic CWS 6000	11390	BG FiltoMatic UVC 18	ASM FiltoMatic UVC 18
	FiltoMatic CWS 7000	11383	BG FiltoMatic UVC 11	ASM FiltoMatic UVC 11
	FiltoMatic CWS 12000	11391	BG FiltoMatic UVC 24	ASM FiltoMatic UVC 24
	FiltoMatic CWS 14000	11391	BG FiltoMatic UVC 24	ASM FiltoMatic UVC 24
	FiltoMatic CWS 25000	17685	BG FiltoMatic UVC 24 mit Reflektor	ASM FiltoMatic UVC 24 with reflector
27	FiltoMatic CWS 3000 - 25000	11382	BG Steuerung FiltoMatic	ASM controller FiltoMatic

Produkt / Product

55421 BioTec 30

FILTER & BELÜFTER / FILTERS & AERATORS

DURCHLAUFILTER / FLOW-THROUGH FILTERS





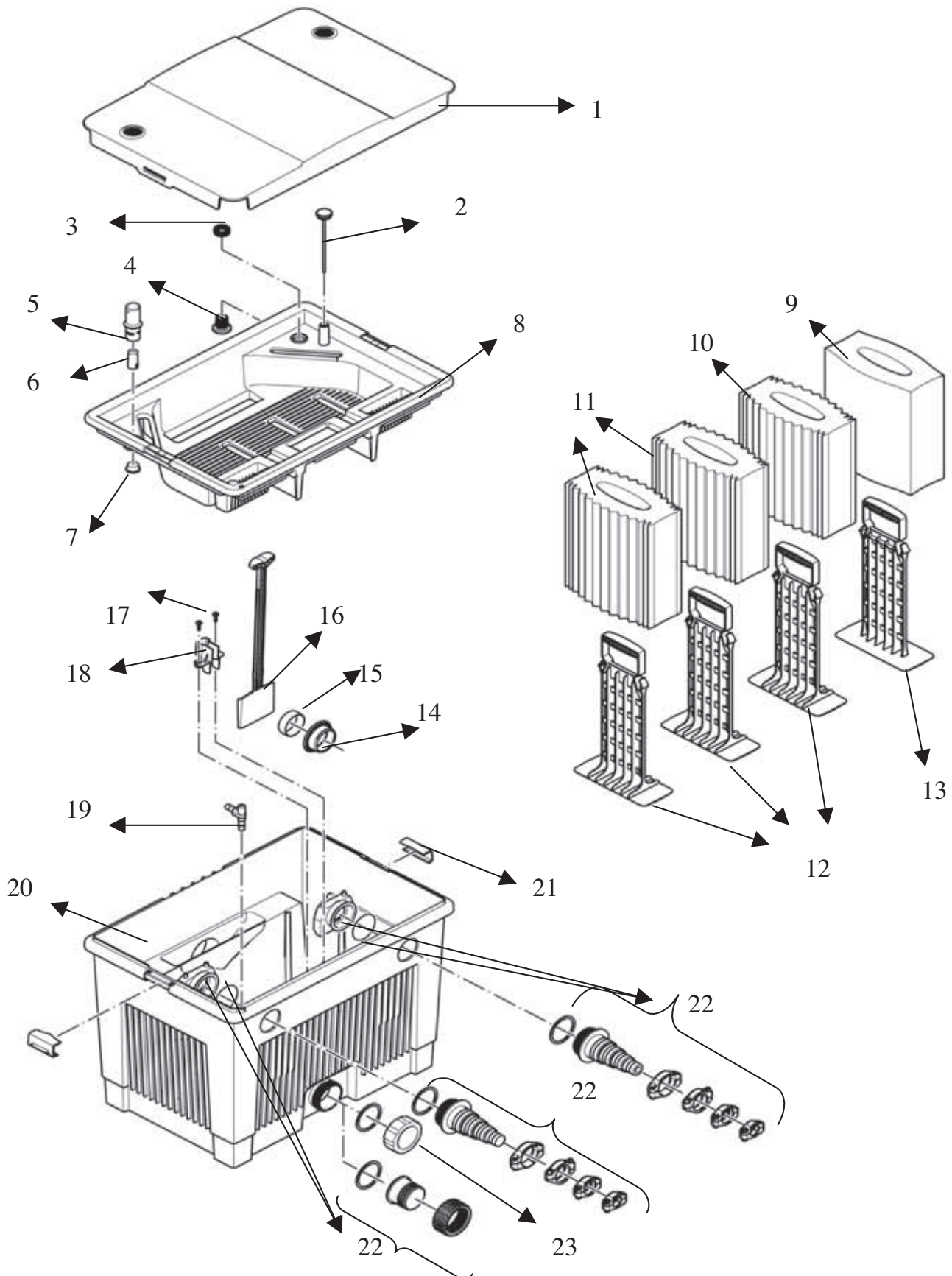
Pos.	Produkt / Product	Artikelnr. / Item no.	Ersatzteil	Spare part
1	BioTec 30	10 x 54031	Ersatzschwamm blau BioTec 5 / 10 / 30	Replacement foam blue BioTec 5 / 10 / 30
2	BioTec 30	4 x 54030	Ersatzschwamm rot BioTec 5 / 10 / 30	Replacement foam red BioTec 5 / 10 / 30
3	BioTec 30	7 x 34081	Schaumaufnahme BioTec 30	Foam holder BioTec 30
4	BioTec 30	24305	Behälter BioTec 30	Filter box BioTec 30
5	BioTec 30	23852	Auslaufrohr DN 100 BioTec 30	Drainage pipe DN 100 BioTec 30
6	BioTec 30	34285	Dichtung 100 BioTec 30 / 36	Gasket 100 BioTec 30 / 36
7	BioTec 30	54029	Abflussgarnitur BioTec	Valve, drain 1" BioTec
8	BioTec 30	23863	Zwischenboden BioTec 30	Intermediate base BioTec 30
9	BioTec 30	24406	Abstandhalter BioTec 30	Distance piece BioTec 30
10	BioTec 30	24972	Ablaufeinheit BioTec 30	Drain outlet BioTec 30
11	BioTec 30	25097	Filtermatte mit Dichtlippe BioTec 30	Filter mat with sealing BioTec 30
12	BioTec 30	24312	Filtermatte grün hoch BioTec 30	Filter mat high BioTec 30 green
13	BioTec 30	24314	Filtermatte schwarz tief BioTec 30	Filter mat low BioTec 30 black
14	BioTec 30	24315	Filtermatte schwarz hoch BioTec 30	Filter mat high BioTec 30 black
15	BioTec 30	24315	Filtermatte schwarz hoch BioTec 30	Filter mat high BioTec 30 black
16	BioTec 30	34367	Zulauf 2" Schlauchanschluss BioTec 30	Inlet 2" connection set BioTec 30
17	BioTec 30	23854	Bürstenrahmen mit 6 Bürsten BioTec 30	Frame with 6 brushes BioTec 30
18	BioTec 30	23855	Deckel BioTec 30	Cover BioTec 30
19	BioTec 30	34284	Beipack Bodenablaufset BioTec 30	Additional pack bottom drain BioTec 30

Produkt / Product

56640 BioTec 5.1

FILTER & BELÜFTER / FILTERS & AERATORS

DURCHLAUFILTER / FLOW-THROUGH FILTERS

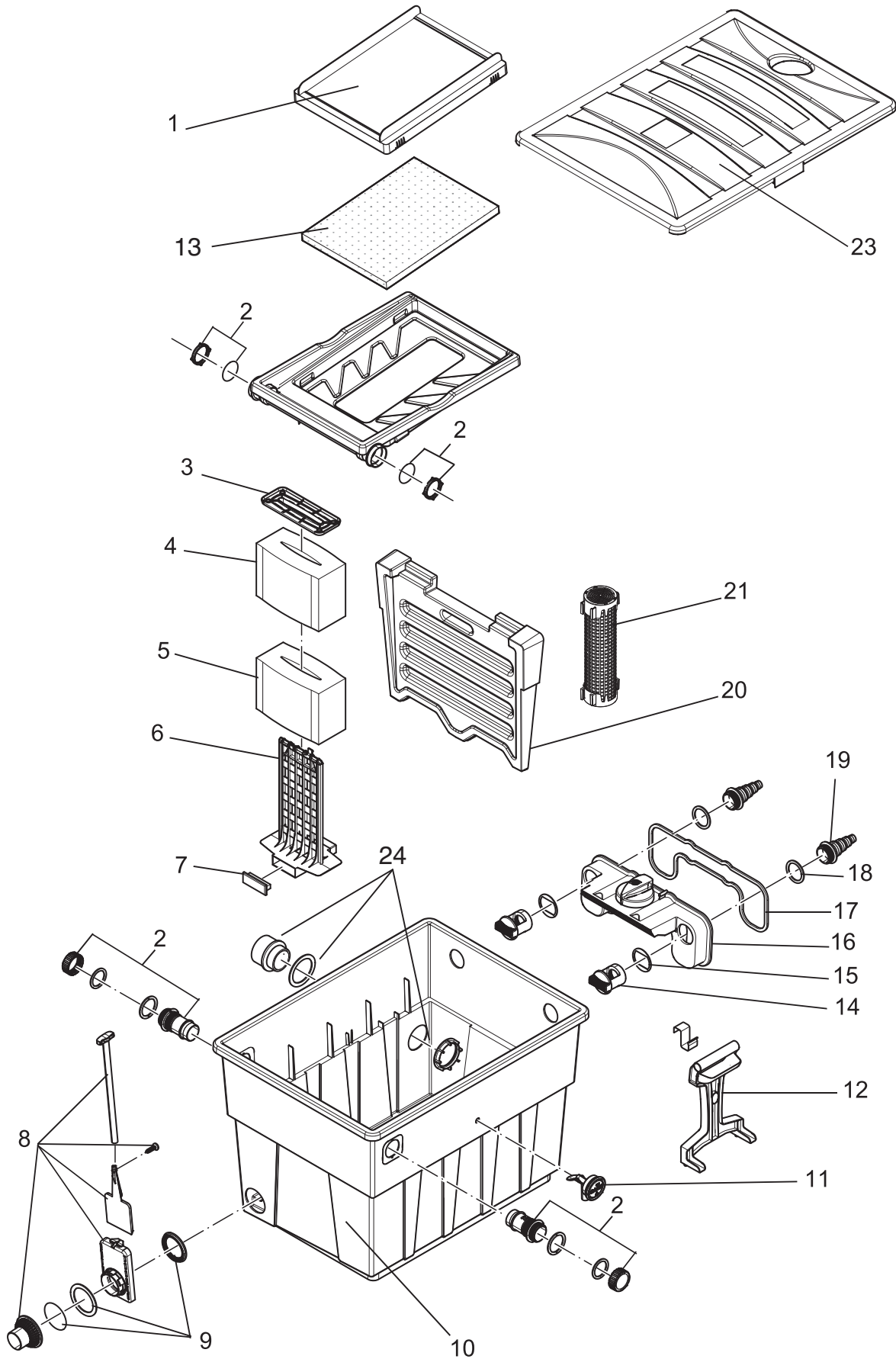


Pos.	Produkt / Product	Artikelnr. / Item no.	Ersatzteil	Spare part
1	BioTec 5.1	26079	Deckel BioTec 5.1 / 10.1 ohne Gitter	Cover BioTec 5.1 / 10.1 w/o grating
2	BioTec 5.1	26970	Thermometer Profiline Filter	Thermometer Profiline filter
3	BioTec 5.1	26636	Steckschlauchanschluss 1/2"	Coupling nut 1/2"
4	BioTec 5.1	5542	PVC Nippel grau 1/2"	PVC nipple grey 1/2"
5	BioTec 5.1	35083	Gehäuse Niveauanzeiger BioTec 5.1 / 10.1	Housing level indicator BioTec 5.1/10.1
6	BioTec 5.1	35084	Schwimmer Niveauanzeiger BioTec 5.1/10.1	Float level indicator BioTec 5.1 / 10.1
7	BioTec 5.1	26418	Verschlussstopfen Wasserstandsmelder	Sealing plug water level control
8	BioTec 5.1	26076	Innendeckel BioTec 5.1	Inner cover BioTec 5.1
9	BioTec 5.1	56679	Ersatzschwamm grün BioTec 5.1 / 10.1	Replacement foam green BioTec 5.1 / 10.1
10	BioTec 5.1	56677	Ersatzschwamm rot BioTec 5.1 / 10.1	Replacement foam red BioTec 5.1 / 10.1
11	BioTec 5.1	56678	Ersatzschwamm blau BioTec 5.1 / 10.1	Replacement foam blue BioTec 5.1 / 10.1
12	BioTec 5.1	3 x 35047	Schaumhalter BioTec 5.1/10.1 offen blau	Foam holder BioTec 5.1/10.1 open blue
13	BioTec 5.1	35082	Schaumhalter BioTec 5.1/10.1 geschl. sw	Foam holder BioTec 5.1/10.1 closed black
14	BioTec 5.1	26209	Ablaufdichtung BioTec 5.1 / 10.1 SH60	Sealing BioTec 5.1 / 10.1 SH60
15	BioTec 5.1	35103	Stützhülse Dichtung	Support sleeve gasket
16	BioTec 5.1	35085	Ablaufschieber BioTec 5.1 / 10.1	Drain valve BioTec 5.1 / 10.1
17	BioTec 5.1	22853	Linsenschraube V2A DIN 7981 4,8 x 19	Oval head screw V2A DIN 7981 4.8 x 19
18	BioTec 5.1	35089	Führung Schieber	Guiding gate valve
19	BioTec 5.1	35087	Luftanschluss BioTec 5.1 / 10.1	Air connection BioTec 5.1 / 10.1
20	BioTec 5.1	26075	Behälter BioTec 5.1	Filter box BioTec 5.1
21	BioTec 5.1	2 x 35086	Halteklammer BioTec 5.1 / 10.1	Holding clamp BioTec 5.1 / 10.1
22	BioTec 5.1	35183	Beipack BioTec 5.1 / 10.1	Additional pack BioTec 5.1 / 10.1
23	BioTec 5.1	25993	Schraubkappe 2"	Screw cap 2"

Produkt / Product

56580 BioTec 12

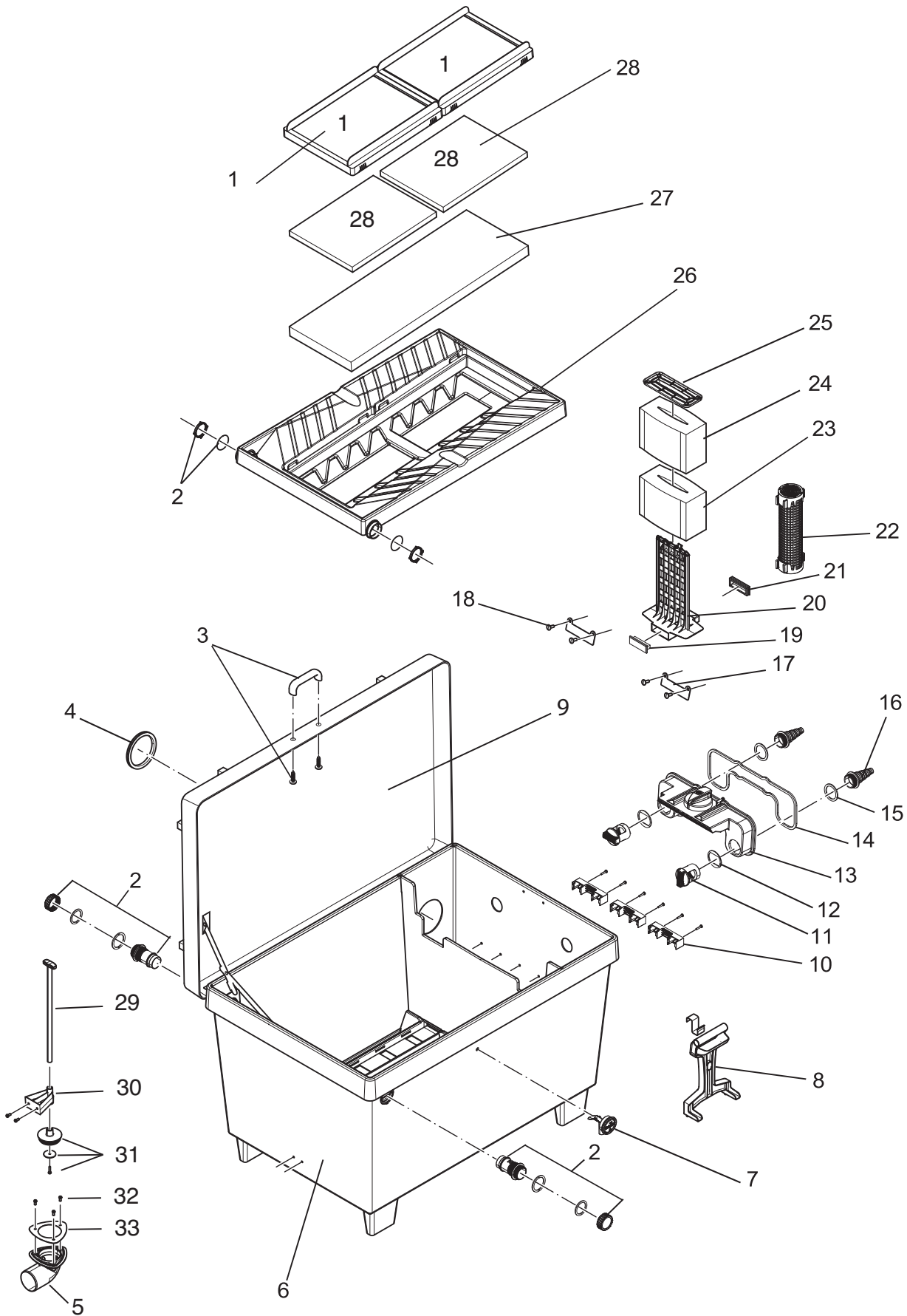
56372 BioTec 18



Pos.	Produkt / Product	Artikelnr. / Item no.	Ersatzteil	Spare part
1	BioTec 12 - 18	56906	Screenex 800	Screenex 800
2	BioTec 12 - 18	34858	Ers. Siebhalterbefestigungsset BioTec 18	Screenex retaining nut set BioTec 18
3	BioTec 12 - 18	34670	Schaumabdeckplatte BioTec	Foam pad cover BioTec
4	BioTec 12	8 x 56738	Ersatzschwamm blau BioTec 12	Replacement foam blue BioTec 12
	BioTec 18	8 x 56737	Ersatzschwamm blau BioTec 18 / 36	Replacement foam blue BioTec 18 / 36
5	BioTec 12	8 x 56739	Ersatzschwamm rot BioTec 12	Replacement foam red BioTec 12
	BioTec 18	8 x 56736	Ersatzschwamm rot BioTec 18 / 36	Replacement foam red BioTec 18 / 36
6	BioTec 12	8 x 26305	Schaumhalter BioTec 12	Foam holder BioTec 12
	BioTec 18	8 x 34733	Schaumhalter BioTec 18 / 36	Foam holder BioTec 18 / 36
7	BioTec 12 - 18	25524	Stopfen Schaumhalter BioTec 12/18/36	Foam holder locking clip BioTec 12/18/36
8	BioTec 12 - 18	34860	Ersatz Ablaufset BioTec 12 / 18	Spare drain assembly BioTec 12 / 18
9	BioTec 12 - 18	34859	Dichtungsset Ablauf BioTec 12-18 / M1-M5	Gasket set outlet BioTec 12-18 / M1-M5
10	BioTec 12	26306	Behälter BioTec 12	Filter box BioTec12
	BioTec 18	25351	Behälter BioTec 18	Filter box BioTec 18
11	BioTec 12 - 18	34842	BG Wasserstandsmelder BioTec 18/36	ASM water level controler BioTec 18/36
12	BioTec 12 - 18	34734	Reiniger BioTec	Cleaner BioTec
13	BioTec 12 - 18	25515	Rieselplatte BioTec 12 / 18 / 36	Black coarse drip pad BioTec 12/18/36
14	BioTec 12 - 18	34698	Durchlassschraube BioTec	Inlet locking nut BioTec
15	BioTec 12 - 18	25691	O-Ring NBR 54 x 4 SH40	O-Ring NBR 54 x 4 SH40
16	BioTec 12 - 18	34844	BG Verteiler BioTec 12 - 18	ASM distributor BioTec 12 - 18
17	BioTec 12 - 18	25696	Moosgummid. 6x6 / Verteiler BioTec 18/36	Foamed rubber gasket 6 x 6 BioTec18/36
18	BioTec 12 - 18	19506	Flachdichtung NBR 60 x 47 x 3 SH40	Flat gasket NBR 60 x 47 x 3 SH40
19	BioTec 12 - 18	19512	Stufenschlauchtülle BioTec geschlossen	Stepped hose tail BioTec closed
20	BioTec 12	26236	Zwischenwand BioTec 12	Partition wall BioTec 12
	BioTec 18	25510	Zwischenwand BioTec 18	Intermediate wall BioTec 18
21	BioTec 12	4 x 26304	Substratrohr kpl. BioTec 12	Substrate pipe cpl. BioTec 12
	BioTec 18	4 x 25507	Substratrohr kpl. BioTec 18 / 36	Substrate pipe cpl. BioTec 18 / 36
23	BioTec 12 - 18	25352	Filterdeckel BioTec 12 / 18	Filter cover BioTec 12 / 18
24	BioTec 12 - 18	34861	Ersatz Auslauf Set BioTec 12 - 18	Spare drainage set BioTec 12 - 18

Produkt / Product

56374 BioTec 36

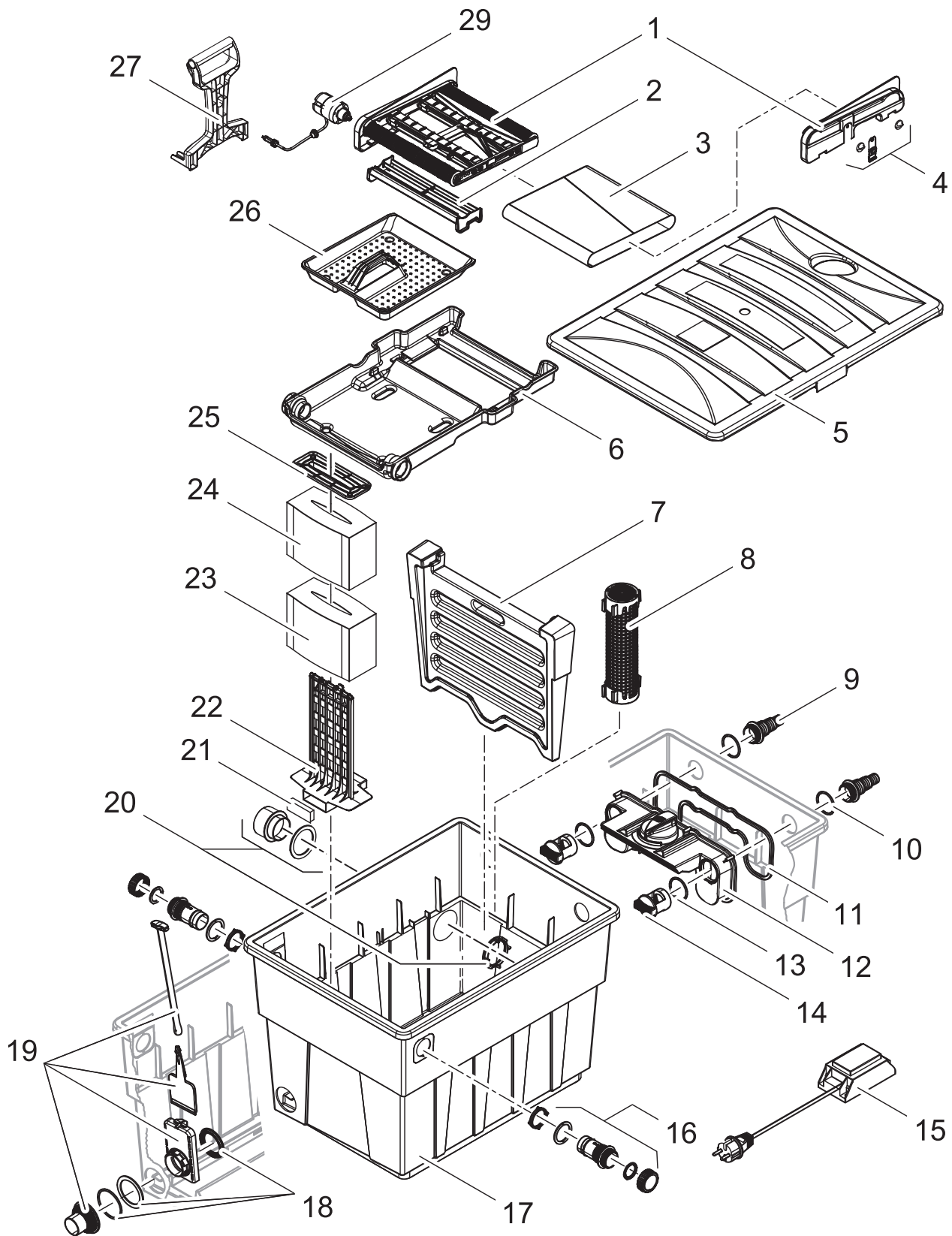


Pos.	Produkt / Product	Artikelnr. / Item no.	Ersatzteil	Spare part
1	Biotec 36	56906	Screenex 800	Screenex 800
2	Biotec 36	34858	Ers. Siebhalterbefestigungsset BioTec 18	Screenex retaining nut set BioTec 18
3	Biotec 36	34868	BG Griff BioTec 36	ASM handle BioTec 36
4	Biotec 36	34285	Dichtung 100 BioTec 30 / 36	Gasket 100 BioTec 30 / 36
5	Biotec 36	34253	Ablaufkrümmer	Drain bend
6	Biotec 36	25545	Behälter BioTec 36	Filter box BioTec 36
7	Biotec 36	34842	BG Wasserstandsmelder BioTec 18/36	ASM water level controler BioTec 18/36
8	Biotec 36	34734	Reiniger BioTec	Cleaner BioTec
9	Biotec 36	25544	Deckel BioTec 36	Cover BioTec 36
10	Biotec 36	34864	Ersatz Klammer BioTec 36	Spare clip BioTec 36
11	Biotec 36	34698	Durchlassschraube BioTec	Inlet locking nut BioTec
12	Biotec 36	25691	O-Ring NBR 54 x 4 SH40	O-Ring NBR 54 x 4 SH40
13	Biotec 36	34855	BG Verteiler BioTec 36	ASM distributor BioTec 36
14	Biotec 36	25696	Moosgummid. 6x6 / Verteiler BioTec 18/36	Foamed rubber gasket 6 x 6 BioTec18/36
15	Biotec 36	19506	Flachdichtung NBR 60 x 47 x 3 SH40	Flat gasket NBR 60 x 47 x 3 SH40
16	Biotec 36	19512	Stufenschlauchtülle BioTec geschlossen	Stepped hose tail BioTec closed
17	Biotec 36	25547	Abdichtklappe BioTec 36 NBR 128x47 SH40	Sealing BioTec 36 128x47 SH40
18	Biotec 36	25546	Treibstift Skiffi BioTec 36	Rivet Skiffi Biotec36
19	Biotec 36	25524	Stopfen Schaumhalter BioTec 12/18/36	Foam holder locking clip BioTec 12/18/36
20	Biotec 36	18 x 34733	Schaumhalter BioTec 18 / 36	Foam holder BioTec 18 / 36
21	Biotec 36	25542	Dichtung Schaumhalter BioTec 36	Gasket foam holder BioTec 36
22	Biotec 36	12 x 25507	Substratrohr kpl. BioTec 18 / 36	Substrate pipe cpl. BioTec 18 / 36
23	Biotec 36	18 x 56736	Ersatzschwamm rot BioTec 18 / 36	Replacement foam red BioTec 18 / 36
24	Biotec 36	18 x 56737	Ersatzschwamm blau BioTec 18 / 36	Replacement foam blue BioTec 18 / 36
25	Biotec 36	34670	Schaumabdeckplatte BioTec	Foam pad cover BioTec
26	Biotec 36	25512	Siebhalter BioTec 36	Screen holder BioTec 36
27	Biotec 36	25506	Rieselplatte BioTec 36	Black coarse drip pad BioTec 36
28	Biotec 36	2 x 25515	Rieselplatte BioTec 12 / 18 / 36	Black coarse drip pad BioTec 12/18/36
29	Biotec 36	26321	BG Ablaufstange kpl. BioTec 36	ASM drain lever BioTec 36 cpl.
30	Biotec 36	34835	Ablaufführung BioTec 36	Outlet guide BioTec 36
31	Biotec 36	35255	Ersatzstopfen BioTec 36	Spare part plug BioTec 36
32	Biotec 36	24229	Schraube V2A DIN 7983 6,3 x 25	Screw V2A DIN 7983 6.3 x 25
33	Biotec 36	24230	Flachdichtung Bodenablauf BioTec 36	Flat gasket bottom drain BioTec 36

Produkt / Product

57127 BioTec ScreenMatic 12

57128 BioTec ScreenMatic 18

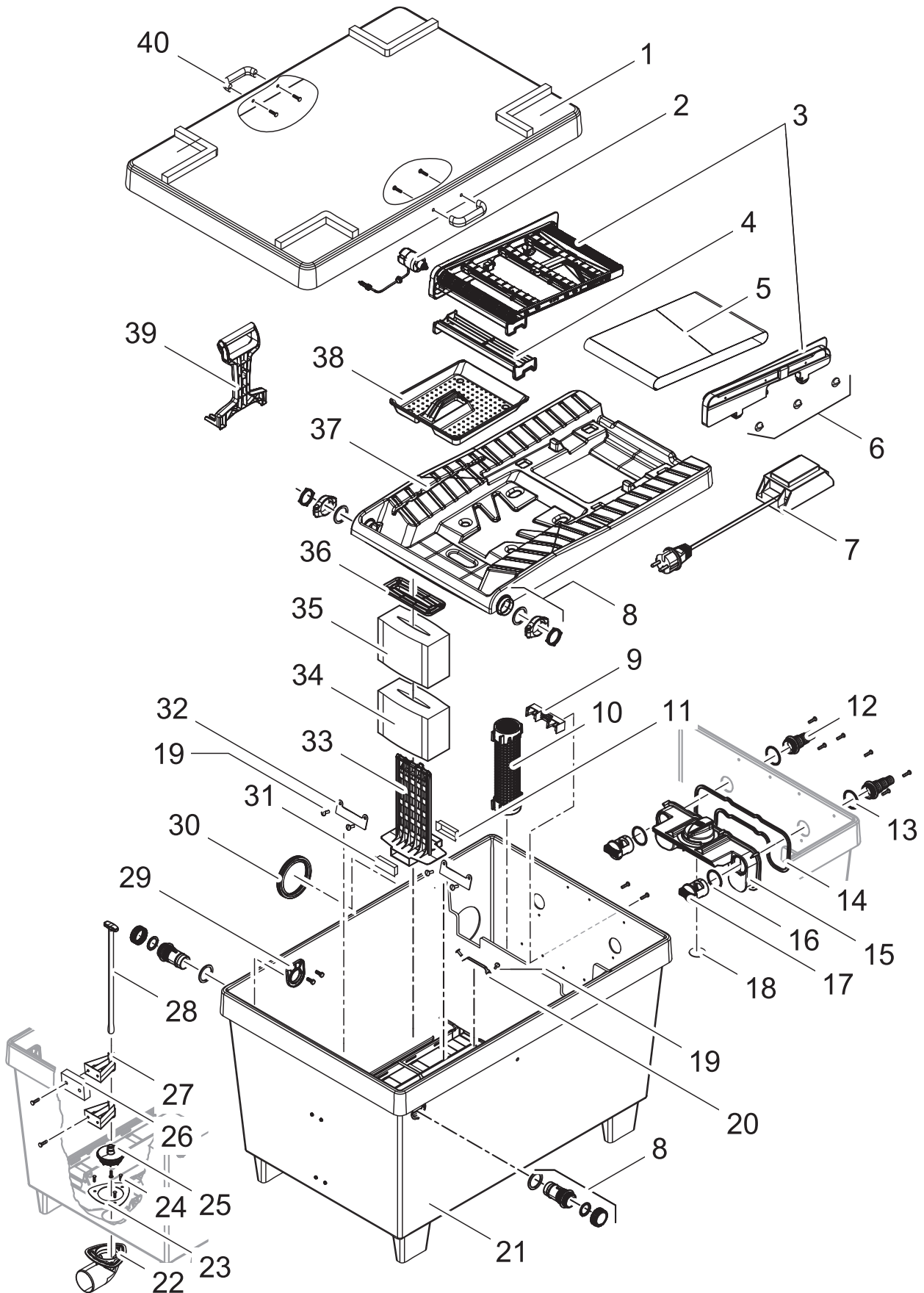




Pos.	Produkt / Product	Artikelnr. / Item no.	Ersatzteil	Spare part
1	BioTec ScreenMatic 12 - 18	10335	BG BioTec ScreenMatic 12 / 18 NT	ASM BioTec ScreenMatic 12 / 18 NT
2	BioTec ScreenMatic 12 - 18	35700	BG Abstreifer mit Bürste ScreenMatic	ASM scraper with brush ScreenMatic
3	BioTec ScreenMatic 12 - 18	28383	Bandgewebe BioTec ScreenMatic 12 / 18	Woven fabric BioTec ScreenMatic 12 / 18
4	BioTec ScreenMatic 12 - 18	35605	Ersatz Kleinteile BioTec ScreenMatic	Spare small parts BioTec Screenmatic
5	BioTec ScreenMatic 12 - 18	25352	Filterdeckel BioTec 12 / 18	Filter cover BioTec 12 / 18
6	BioTec ScreenMatic 12 - 18	28372	Siebhalter BioTec ScreenMatic 12 / 18	Screen holder BioTec ScreenMatic 12 / 18
7	BioTec ScreenMatic 12	28376	Zwischenwand BioTec ScreenMatic 12	Partition wall BioTec ScreenMatic 12
	BioTec ScreenMatic 18	28373	Zwischenwand BioTec ScreenMatic 18	Partition wall BioTec ScreenMatic 18
8	BioTec ScreenMatic 12	4 x 26304	Substratrohr kpl. BioTec 12	Substrate pipe cpl. BioTec 12
	BioTec ScreenMatic 18	4 x 25507	Substratrohr kpl. BioTec 18 / 36	Substrate pipe cpl. BioTec 18 / 36
9	BioTec ScreenMatic 12 - 18	19512	Stufenschlauchtülle BioTec geschlossen	Stepped hose tail BioTec closed
10	BioTec ScreenMatic 12 - 18	19506	Flachdichtung NBR 60 x 47 x 3 SH40	Flat gasket NBR 60 x 47 x 3 SH40
11	BioTec ScreenMatic 12 - 18	25696	Moosgummid. 6x6 / Verteiler BioTec 18/36	Foamed rubber gasket 6 x 6 BioTec18/36
12	BioTec ScreenMatic 12 - 18	34844	BG Verteiler BioTec 12 - 18	ASM distributor BioTec 12 - 18
13	BioTec ScreenMatic 12 - 18	25691	O-Ring NBR 54 x 4 SH40	O-Ring NBR 54 x 4 SH40
14	BioTec ScreenMatic 12 - 18	34698	Durchlassschraube BioTec	Inlet locking nut BioTec
15	BioTec ScreenMatic 12 - 18	10349	BG Zeiteinheit BioTec ScreenMatic	ASM timer BioTec ScreenMatic
16	BioTec ScreenMatic 12 - 18	34858	Ers. Siebhalterbefestigungsset BioTec 18	Screenex retaining nut set BioTec 18
17	BioTec ScreenMatic 12	15428	Behälter BioTec 12 gestanzt	Filter box BioTec 12 pierced
	BioTec ScreenMatic 18	15429	Behälter BioTec 18 gestanzt	Filter box BioTec 18 pierced
18	BioTec ScreenMatic 12 - 18	34859	Dichtungsset Ablauf BioTec 12-18 / M1-M5	Gasket set outlet BioTec 12-18 / M1-M5
19	BioTec ScreenMatic 12 - 18	34860	Ersatz Ablaufset BioTec 12 / 18	Spare drain assembly BioTec 12 / 18
20	BioTec ScreenMatic 12 - 18	34861	Ersatz Auslauf Set BioTec 12 - 18	Spare drainage set BioTec 12 - 18
21	BioTec ScreenMatic 12 - 18	25524	Stopfen Schaumhalter BioTec 12/18/36	Foam holder locking clip BioTec 12/18/36
22	BioTec ScreenMatic 12	8 x 26305	Schaumhalter BioTec 12	Foam holder BioTec 12
	BioTec ScreenMatic 18	8 x 34733	Schaumhalter BioTec 18 / 36	Foam holder BioTec 18 / 36
23	BioTec ScreenMatic 12	8 x 56739	Ersatzschwamm rot BioTec 12	Replacement foam red BioTec 12
	BioTec ScreenMatic 18	8 x 56736	Ersatzschwamm rot BioTec 18 / 36	Replacement foam red BioTec 18 / 36
24	BioTec ScreenMatic 12	8 x 56738	Ersatzschwamm blau BioTec 12	Replacement foam blue BioTec 12
	BioTec ScreenMatic 18	8 x 56737	Ersatzschwamm blau BioTec 18 / 36	Replacement foam blue BioTec 18 / 36
25	BioTec ScreenMatic 12 - 18	34670	Schaumabdeckplatte BioTec	Foam pad cover BioTec
26	BioTec ScreenMatic 12 - 18	28371	Schmutzkorb BioTec ScreenMatic 12/18/36	Debris collec. basket ScreenM 12/18/36
27	BioTec ScreenMatic 12 - 18	34734	Reiniger BioTec	Cleaner BioTec
29	BioTec ScreenMatic 12 - 18	10342	BG Antriebseinheit BioTec ScreenMatic NT	ASM traction unit BioTec ScreenMatic NT

Produkt / Product

57129 BioTec ScreenMatic 36



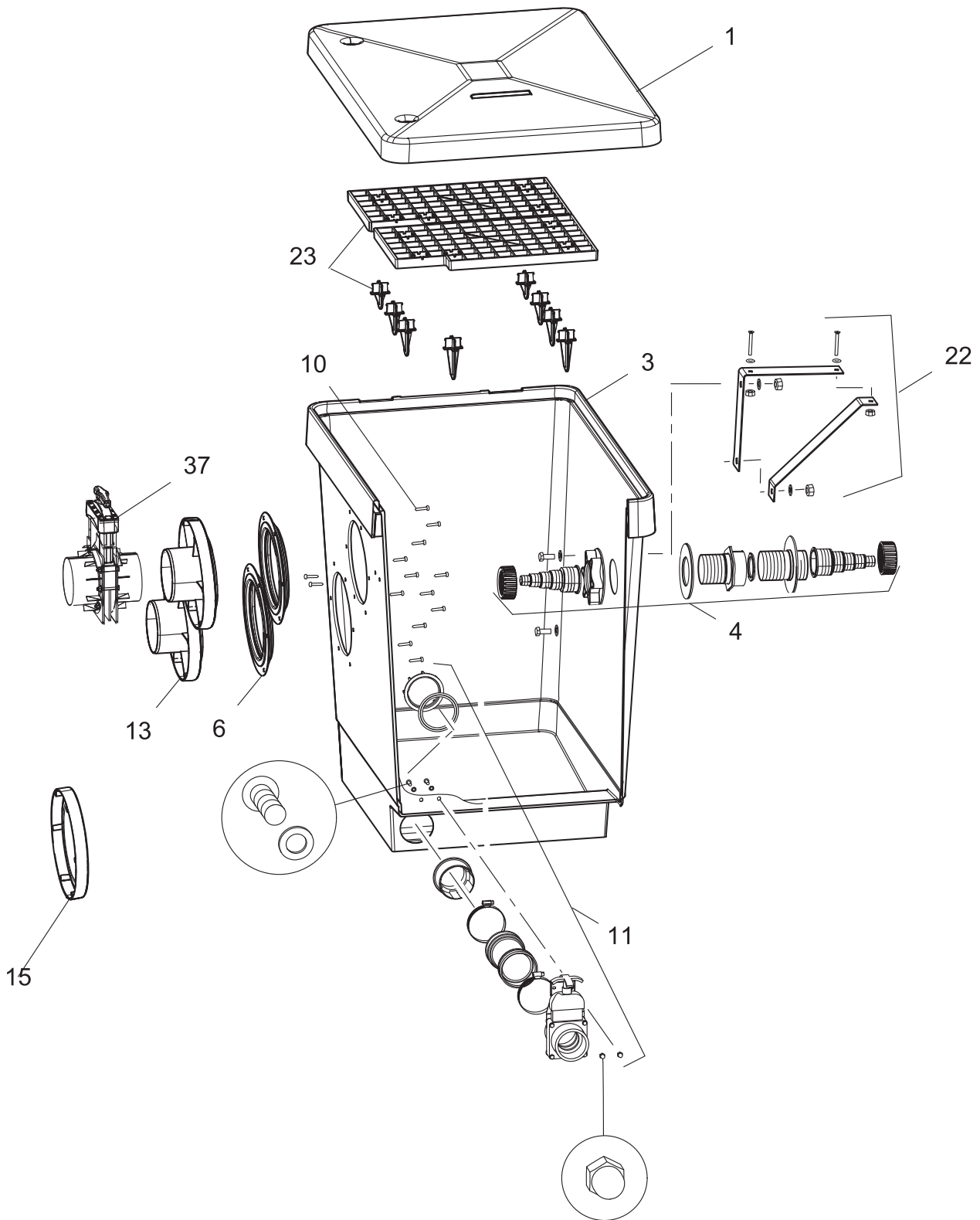
FILTER & BELÜFTER / FILTERS & AERATORS

DURCHLAUFILTER / FLOW-THROUGH FILTERS

Pos.	Produkt / Product	Artikelnr. / Item no.	Ersatzteil	Spare part
1	BioTec ScreenMatic 36	25544	Deckel BioTec 36	Cover BioTec 36
2	BioTec ScreenMatic 36	10342	BG Antriebseinheit BioTec ScreenMatic NT	ASM traction unit BioTec ScreenMatic NT
3	BioTec ScreenMatic 36	10340	BG BioTec ScreenMatic 36 NT	ASM BioTec ScreenMatic 36 NT
4	BioTec ScreenMatic 36	35700	BG Abstreifer mit Bürste ScreenMatic	ASM scraper with brush ScreenMatic
5	BioTec ScreenMatic 36	28412	Bandgewebe BioTec ScreenMatic 36	Woven fabric BioTec ScreenMatic 36
6	BioTec ScreenMatic 36	35605	Ersatz Kleinteile BioTec ScreenMatic	Spare small parts BioTec Screenmatic
7	BioTec ScreenMatic 36	10349	BG Zeiteinheit BioTec ScreenMatic	ASM timer BioTec ScreenMatic
8	BioTec ScreenMatic 36	34858	Ers. Siebhalterbefestigungsset BioTec 18	Screenex retaining nut set BioTec 18
9	BioTec ScreenMatic 36	34864	Ersatz Klammer BioTec 36	Spare clip BioTec 36
10	BioTec ScreenMatic 36	12 x 25507	Substratrohr kpl. BioTec 18 / 36	Substrate pipe cpl. BioTec 18 / 36
11	BioTec ScreenMatic 36	25542	Dichtung Schaumhalter BioTec 36	Gasket foam holder BioTec 36
12	BioTec ScreenMatic 36	19512	Stufenschlauchtülle BioTec geschlossen	Stepped hose tail BioTec closed
13	BioTec ScreenMatic 36	19506	Flachdichtung NBR 60 x 47 x 3 SH40	Flat gasket NBR 60 x 47 x 3 SH40
14	BioTec ScreenMatic 36	25696	Moosgummid. 6x6 / Verteiler BioTec 18/36	Foamed rubber gasket 6 x 6 BioTec18/36
15	BioTec ScreenMatic 36	34855	BG Verteiler BioTec 36	ASM distributor BioTec 36
16	BioTec ScreenMatic 36	25691	O-Ring NBR 54 x 4 SH40	O-Ring NBR 54 x 4 SH40
17	BioTec ScreenMatic 36	34698	Durchlassschraube BioTec	Inlet locking nut BioTec
18	BioTec ScreenMatic 36	25522	Abdeckung Verteiler GPN910/3790 schwarz	Plug for distributor
19	BioTec ScreenMatic 36	16 x 25546	Treibstift Skiffi BioTec 36	Rivet Skiffi Biotec36
20	BioTec ScreenMatic 36	25922	Lasche Schaumhalter BioTec 36	Clip foam holder BioTec 36
21	BioTec ScreenMatic 36	29310	Behälter BioTec ScreenMatic 36	Case BioTec ScreenMatic 36
22	BioTec ScreenMatic 36	34253	Ablaufkrümmer	Drain bend
23	BioTec ScreenMatic 36	24230	Flachdichtung Bodenablauf BioTec 36	Flat gasket bottom drain BioTec 36
24	BioTec ScreenMatic 36	24229	Schraube V2A DIN 7983 6,3 x 25	Screw V2A DIN 7983 6.3 x 25
25	BioTec ScreenMatic 36	35255	Ersatzstopfen BioTec 36	Spare part plug BioTec 36
26	BioTec ScreenMatic 36	25996	Distanzstück BioTec 36	Distance part BioTec 36
27	BioTec ScreenMatic 36	34835	Ablaufführung BioTec 36	Outlet guide BioTec 36
28	BioTec ScreenMatic 36	26321	BG Ablaufstange kpl. BioTec 36	ASM drain lever BioTec 36 cpl.
29	BioTec ScreenMatic 36	34829	Keilscheibe BioTec 36	Wedge plate BioTec 36
30	BioTec ScreenMatic 36	34285	Dichtung 100 BioTec 30 / 36	Gasket 100 BioTec 30 / 36
31	BioTec ScreenMatic 36	25524	Stopfen Schaumhalter BioTec 12/18/36	Foam holder locking clip BioTec 12/18/36
32	BioTec ScreenMatic 36	25547	Abdichtklappe BioTec 36 NBR 128x47 SH40	Sealing BioTec 36 128x47 SH40
33	BioTec ScreenMatic 36	18 x 34733	Schaumhalter BioTec 18 / 36	Foam holder BioTec 18 / 36
34	BioTec ScreenMatic 36	18 x 56736	Ersatzschwamm rot BioTec 18 / 36	Replacement foam red BioTec 18 / 36
35	BioTec ScreenMatic 36	18 x 56737	Ersatzschwamm blau BioTec 18 / 36	Replacement foam blue BioTec 18 / 36
36	BioTec ScreenMatic 36	34670	Schaumabdeckplatte BioTec	Foam pad cover BioTec
37	BioTec ScreenMatic 36	28378	Siebhalter BioTec ScreenMatic 36	Screen holder BioTec ScreenMatic 36
38	BioTec ScreenMatic 36	28371	Schmutzkorb BioTec ScreenMatic 12/18/36	Debris collec. basket ScreenM 12/18/36
39	BioTec ScreenMatic 36	34734	Reiniger BioTec	Cleaner BioTec
40	BioTec ScreenMatic 36	34868	BG Griff BioTec 36	ASM handle BioTec 36

Produkt / Product

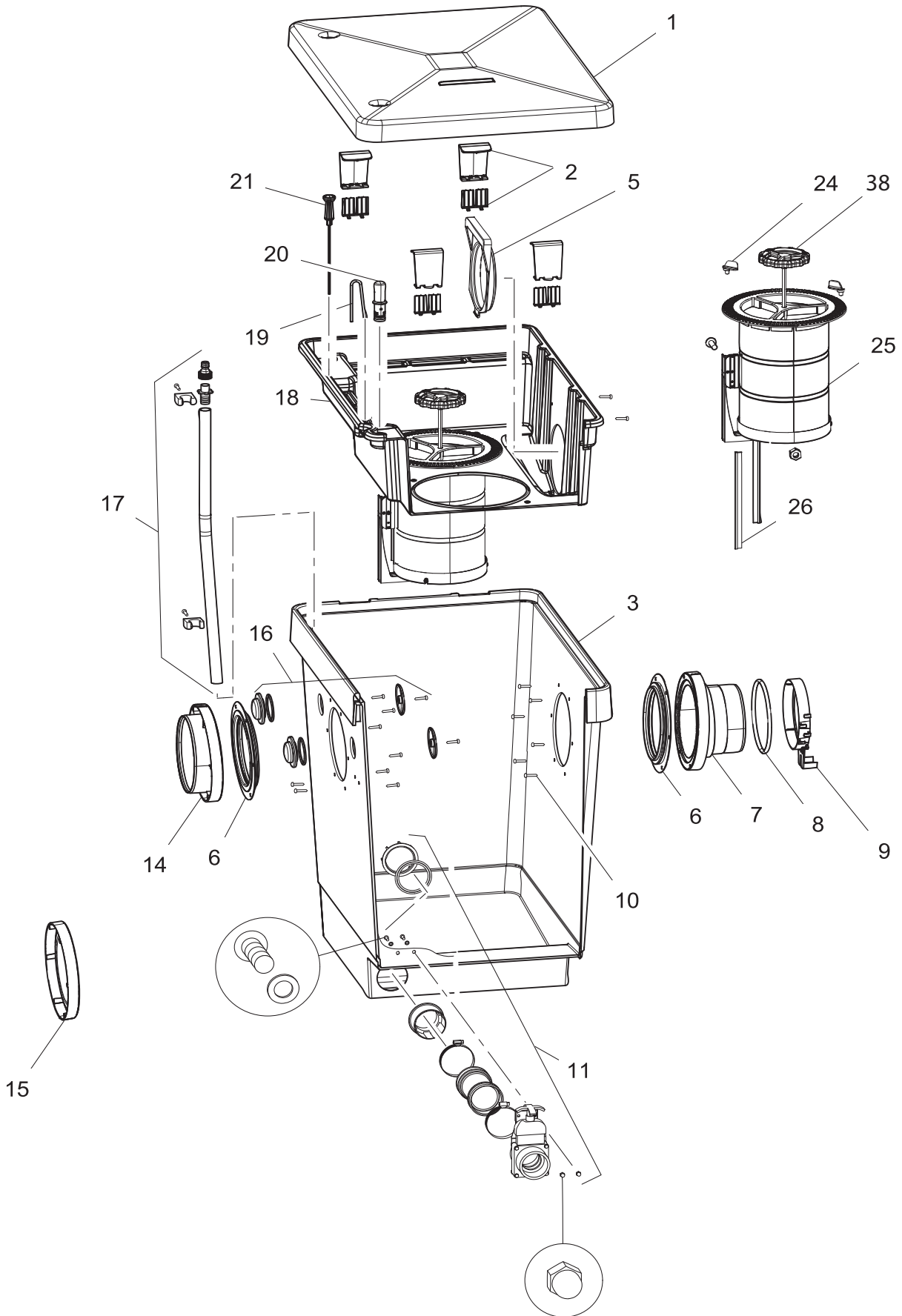
51061 ProfiClear Classic Pumpenkammer



Pos.	Produkt / Product	Artikelnr. / Item no.	Ersatzteil	Spare part
1	ProfiClear Classic Pumpenkammer	26765	Deckel ProfiClear M 1 - M 5	Cover ProfiClear M 1 - M 5
3	ProfiClear Classic Pumpenkammer	18407	Behälter ProfiClear Classic Pumpmodul	Filter box ProfiCl. Clas. pump module
4	ProfiClear Classic Pumpenkammer	35405	Ersatz Anschlusset ProfiClear	Spare part connection set ProfiClear
6	ProfiClear Classic Pumpenkammer	26957	Dichtung 150 verschraubt	Gasket 150 screwed
10	ProfiClear Classic Pumpenkammer	27572	Linsenschraube V2A DIN 7981 6,3 x 32	Oval head screw V2A DIN 7981 6.3 x 32
11	ProfiClear Classic Pumpenkammer	18446	Ersatz Abfluss DN75 ProfiClear	Spare drain DN75 ProfiClear
13	ProfiClear Classic Pumpenkammer	26963	Einlaufstutzen 100	Intake 100
15	ProfiClear Classic Pumpenkammer	27175	Stopfen 150 ProfiClear	Plug 150 ProfiClear
22	ProfiClear Classic Pumpenkammer	35429	Ersatz Bitronstütze ProfiClear	Spare Bitron holder ProfiClear
23	ProfiClear Classic Pumpenkammer	35407	Ersatz Bodensieb inkl. Fuß ProfiClear	Spare base screen incl. foot ProfiClear
37	ProfiClear Classic Pumpenkammer	27171	Schieber DN 100	Slider DN 100

Produkt / Product

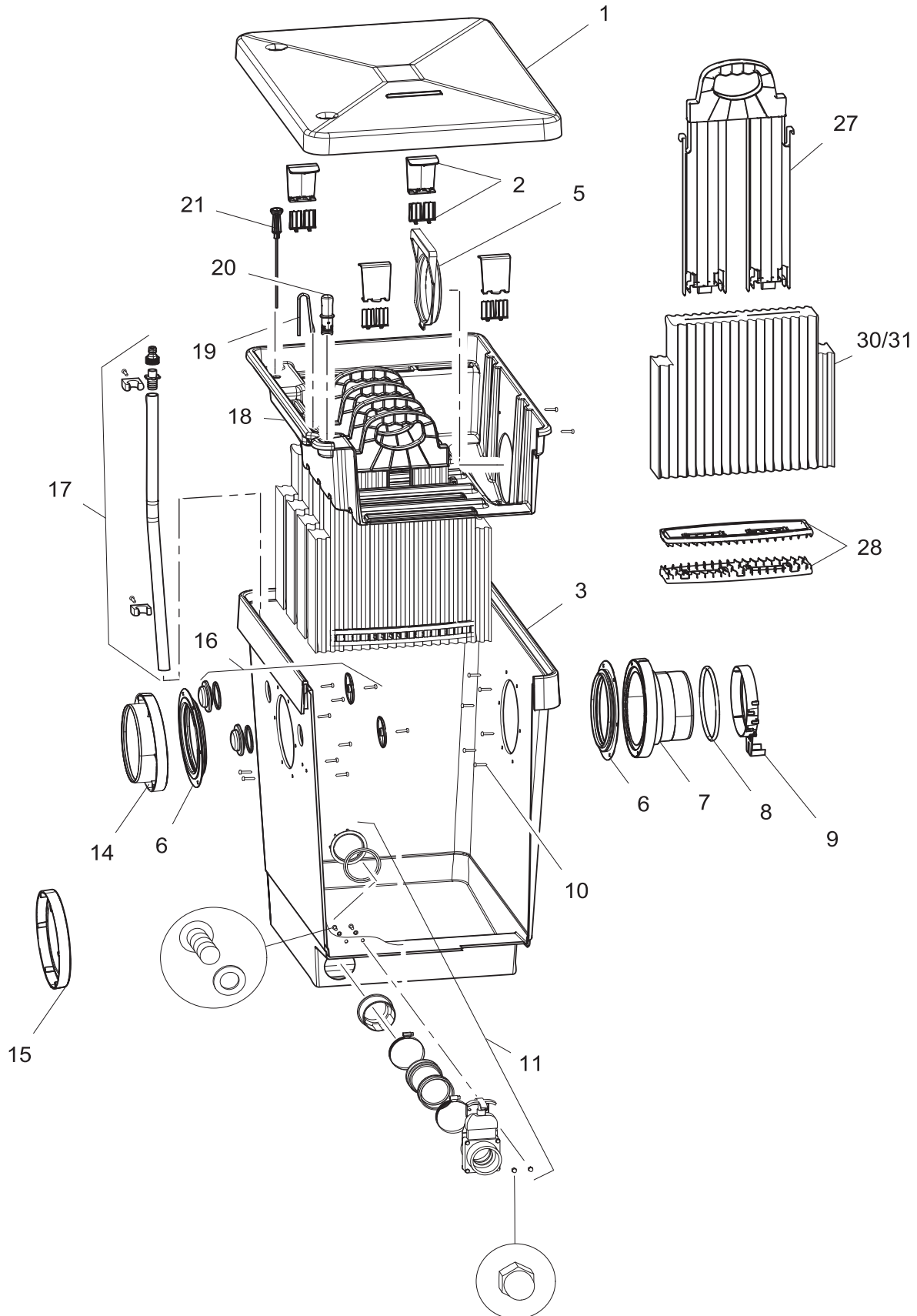
51064 ProfiClear Classic Grobschmutzabscheider



Pos.	Produkt / Product	Artikelnr. / Item no.	Ersatzteil	Spare part
1	ProfiClear Classic Grobschmutzabscheider	26765	Deckel ProfiClear M 1 - M 5	Cover ProfiClear M 1 - M 5
2	ProfiClear Classic Grobschmutzabscheider	35408	Ersatz Rasthaken 1 + 2 ProfiClear	Spare clip inner lid 1 + 2 ProfiClear
3	ProfiClear Classic Grobschmutzabscheider	18412	Behälter ProfiClear Classic Filtermodul	Filter box ProfiCl. Clas. filter module
5	ProfiClear Classic Grobschmutzabscheider	26960	Auslaufrastung ProfiClear M 2 - M 5	Outlet grid ProfiClear M 2 - M 5
6	ProfiClear Classic Grobschmutzabscheider	26957	Dichtung 150 verschraubt	Gasket 150 screwed
7	ProfiClear Classic Grobschmutzabscheider	26958	Auslauf 150/1 ProfiClear M 2 - M 5	Outlet 150/1 ProfiClear M 2 - M 5
8	ProfiClear Classic Grobschmutzabscheider	27669	O-Ring NBR 156 x 10 SH70	O-Ring NBR 156 x 10 SH70
9	ProfiClear Classic Grobschmutzabscheider	26968	Sauerstoffsteinhalter	Aeratorblock retainer
10	ProfiClear Classic Grobschmutzabscheider	27572	Linsenschraube V2A DIN 7981 6,3 x 32	Oval head screw V2A DIN 7981 6.3 x 32
11	ProfiClear Classic Grobschmutzabscheider	18446	Ersatz Abfluss DN75 ProfiClear	Spare drain DN75 ProfiClear
14	ProfiClear Classic Grobschmutzabscheider	26987	Auslauf 150/2 ProfiClear M 2 - M 5	Outlet 150/2 ProfiClear M 2 - M 5
15	ProfiClear Classic Grobschmutzabscheider	27175	Stopfen 150 ProfiClear	Plug 150 ProfiClear
16	ProfiClear Classic Grobschmutzabscheider	19325	BG Stopfen kpl. Modulfilter 1 1/2"	ASM plug cpl. module filter 1 1/2"
17	ProfiClear Classic Grobschmutzabscheider	35411	Ersatz Sprüheinrichtung ProfiClear	Spare spray unit ProfiClear
18	ProfiClear Classic Grobschmutzabscheider	26966	Innendeckel Screenex	Inner cover Screenex
19	ProfiClear Classic Grobschmutzabscheider	27172	Luftanschluss ProfiClear	Air connection ProfiClear
20	ProfiClear Classic Grobschmutzabscheider	35409	Ersatz Wasserstandsanzeige ProfiClear	Spare water level indicator ProfiClear
21	ProfiClear Classic Grobschmutzabscheider	35410	Ersatz Thermometer mit Stütze ProfiClear	Spare thermometer with clip ProfiClear
24	ProfiClear Classic Grobschmutzabscheider	35873	BG Zylinderhalter ProfiClear M 2	ASM cylinder retainer ProfiClear M 2
25	ProfiClear Classic Grobschmutzabscheider	27173	BG Zylinder Screenex Proficlear	ASM cylinder screenex ProfiClear
26	ProfiClear Classic Grobschmutzabscheider	26972	Bürste Screenex Zylinder ProfiClear M 2	Brush Screenex cylinder ProfiClear M 2
38	ProfiClear Classic Grobschmutzabscheider	26979	Drehgriff Screenex Zylinder ProfiCl. M2	Turning handle Sreenex cylin. ProfiCl.M2

Produkt / Product

51065 ProfiClear Classic Filterschaummodul

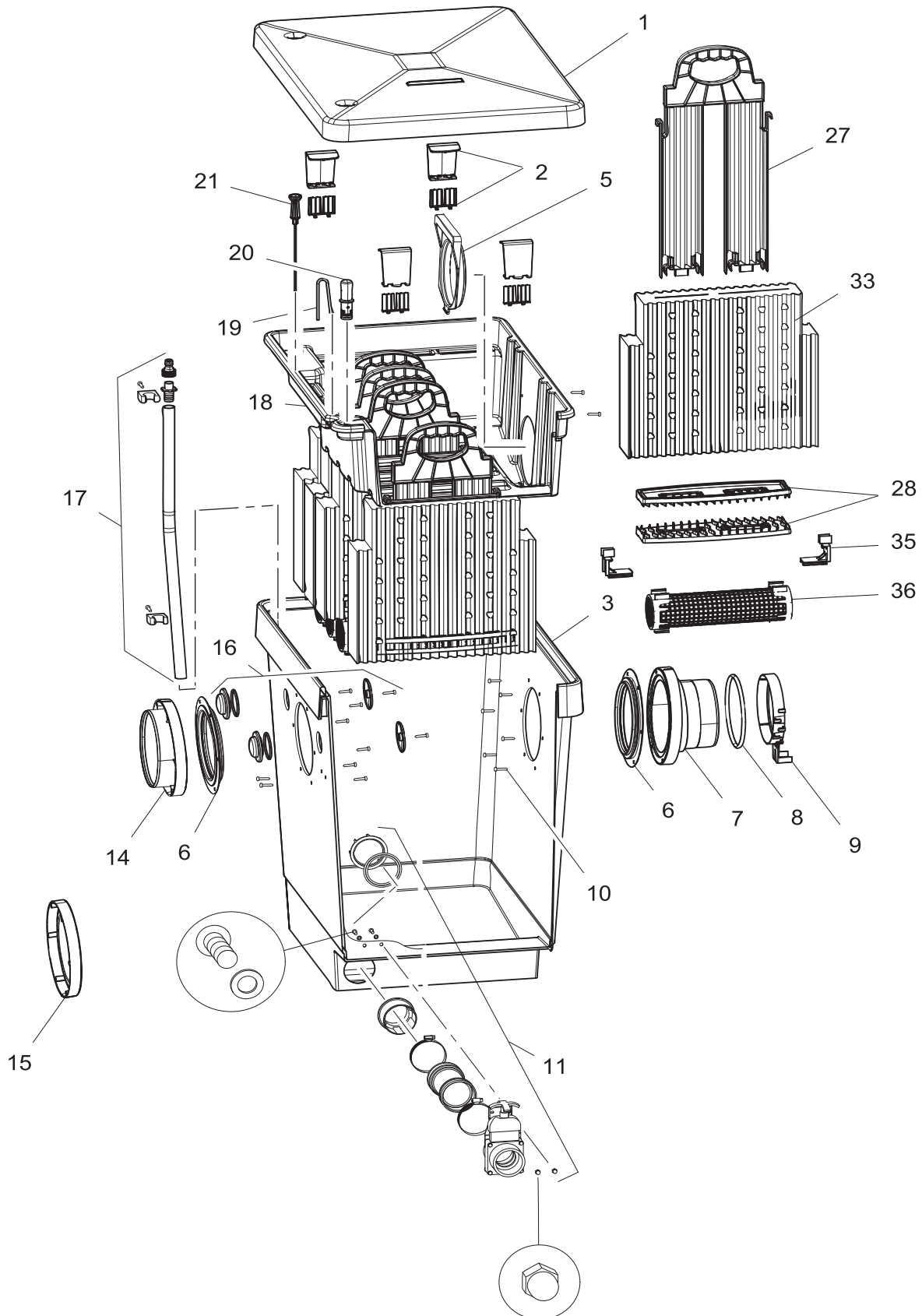




Pos.	Produkt / Product	Artikelnr. / Item no.	Ersatzteil	Spare part
1	ProfiClear Classic Filterschaum-modul	26765	Deckel ProfiClear M 1 - M 5	Cover ProfiClear M 1 - M 5
2	ProfiClear Classic Filterschaum-modul	35408	Ersatz Rasthaken 1 + 2 ProfiClear	Spare clip inner lid 1 + 2 ProfiClear
3	ProfiClear Classic Filterschaum-modul	18412	Behälter ProfiClear Classic Filtermodul	Filter box ProfiCl. Clas. filter module
5	ProfiClear Classic Filterschaum-modul	26960	Auslaufrastung ProfiClear M 2 - M 5	Outlet grid ProfiClear M 2 - M 5
6	ProfiClear Classic Filterschaum-modul	26957	Dichtung 150 verschraubt	Gasket 150 screwed
7	ProfiClear Classic Filterschaum-modul	26958	Auslauf 150/1 ProfiClear M 2 - M 5	Outlet 150/1 ProfiClear M 2 - M 5
8	ProfiClear Classic Filterschaum-modul	27669	O-Ring NBR 156 x 10 SH70	O-Ring NBR 156 x 10 SH70
9	ProfiClear Classic Filterschaum-modul	26968	Sauerstoffsteinhalter	Aeratorblock retainer
10	ProfiClear Classic Filterschaum-modul	27572	Linsenschraube V2A DIN 7981 6,3 x 32	Oval head screw V2A DIN 7981 6.3 x 32
11	ProfiClear Classic Filterschaum-modul	18446	Ersatz Abfluss DN75 ProfiClear	Spare drain DN75 ProfiClear
14	ProfiClear Classic Filterschaum-modul	26987	Auslauf 150/2 ProfiClear M 2 - M 5	Outlet 150/2 ProfiClear M 2 - M 5
15	ProfiClear Classic Filterschaum-modul	27175	Stopfen 150 ProfiClear	Plug 150 ProfiClear
16	ProfiClear Classic Filterschaum-modul	19325	BG Stopfen kpl. Modulfilter 1 1/2"	ASM plug cpl. module filter 1 1/2"
17	ProfiClear Classic Filterschaum-modul	35411	Ersatz Sprüheinrichtung ProfiClear	Spare spray unit ProfiClear
18	ProfiClear Classic Filterschaum-modul	26981	Innendeckel Schaum ProfiClear M 3 - M 5	Inner cover foam ProfiClear M 3 - M 5
19	ProfiClear Classic Filterschaum-modul	27172	Luftanschluss ProfiClear	Air connection ProfiClear
20	ProfiClear Classic Filterschaum-modul	35409	Ersatz Wasserstandsanzeige ProfiClear	Spare water level indicator ProfiClear
21	ProfiClear Classic Filterschaum-modul	35410	Ersatz Thermometer mit Stütze ProfiClear	Spare thermometer with clip ProfiClear
27	ProfiClear Classic Filterschaum-modul	26982	Schaumhalter ProfiClear	Foam holder ProfiClear
28	ProfiClear Classic Filterschaum-modul	27176	Platte Schaumhalter ProfiClear	Plate ProfiClear
30	ProfiClear Classic Filterschaum-modul	27295	Ersatzschwamm rot ProfiClear M3	Repl. foam red ProfiClear M3
31	ProfiClear Classic Filterschaum-modul	26983	Ersatzschwamm blau breit ProfiClear M3	Repl. foam blue wide ProfiClear M3

Produkt / Product

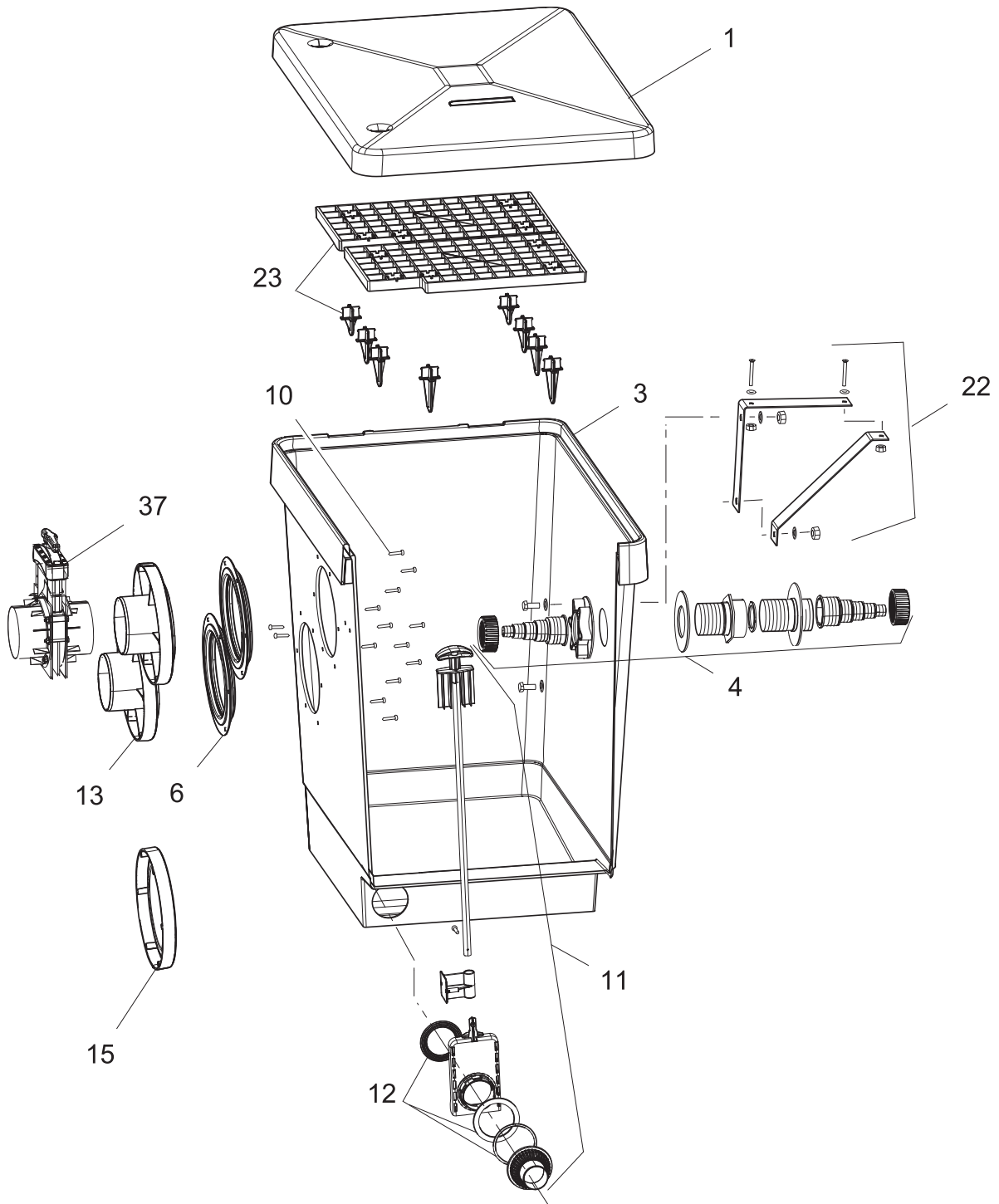
51066 ProfiClear Classic Phosphatbinder Modul



Pos.	Produkt / Product	Artikelnr. / Item no.	Ersatzteil	Spare part
1	ProfiClear Classic Phosphatbinder Modul	26765	Deckel ProfiClear M 1 - M 5	Cover ProfiClear M 1 - M 5
2	ProfiClear Classic Phosphatbinder Modul	35408	Ersatz Rasthaken 1 + 2 ProfiClear	Spare clip inner lid 1 + 2 ProfiClear
3	ProfiClear Classic Phosphatbinder Modul	18412	Behälter ProfiClear Classic Filtermodul	Filter box ProfiCl. Clas. filter module
5	ProfiClear Classic Phosphatbinder Modul	26960	Auslaufrastung ProfiClear M 2 - M 5	Outlet grid ProfiClear M 2 - M 5
6	ProfiClear Classic Phosphatbinder Modul	26957	Dichtung 150 verschraubt	Gasket 150 screwed
7	ProfiClear Classic Phosphatbinder Modul	26958	Auslauf 150/1 ProfiClear M 2 - M 5	Outlet 150/1 ProfiClear M 2 - M 5
8	ProfiClear Classic Phosphatbinder Modul	27669	O-Ring NBR 156 x 10 SH70	O-Ring NBR 156 x 10 SH70
9	ProfiClear Classic Phosphatbinder Modul	26968	Sauerstoffsteinhalter	Aeratorblock retainer
10	ProfiClear Classic Phosphatbinder Modul	27572	Linsenschraube V2A DIN 7981 6,3 x 32	Oval head screw V2A DIN 7981 6.3 x 32
11	ProfiClear Classic Phosphatbinder Modul	18446	Ersatz Abfluss DN75 ProfiClear	Spare drain DN75 ProfiClear
14	ProfiClear Classic Phosphatbinder Modul	26987	Auslauf 150/2 ProfiClear M 2 - M 5	Outlet 150/2 ProfiClear M 2 - M 5
15	ProfiClear Classic Phosphatbinder Modul	27175	Stopfen 150 ProfiClear	Plug 150 ProfiClear
16	ProfiClear Classic Phosphatbinder Modul	19325	BG Stopfen kpl. Modulfilter 1 1/2"	ASM plug cpl. module filter 1 1/2"
17	ProfiClear Classic Phosphatbinder Modul	35411	Ersatz Sprüheinrichtung ProfiClear	Spare spray unit ProfiClear
18	ProfiClear Classic Phosphatbinder Modul	26981	Innendeckel Schaum ProfiClear M 3 - M 5	Inner cover foam ProfiClear M 3 - M 5
19	ProfiClear Classic Phosphatbinder Modul	27172	Luftanschluss ProfiClear	Air connection ProfiClear
20	ProfiClear Classic Phosphatbinder Modul	35409	Ersatz Wasserstandsanzeige ProfiClear	Spare water level indicator ProfiClear
21	ProfiClear Classic Phosphatbinder Modul	35410	Ersatz Thermometer mit Stütze ProfiClear	Spare thermometer with clip ProfiClear
27	ProfiClear Classic Phosphatbinder Modul	26982	Schaumhalter ProfiClear	Foam holder ProfiClear
28	ProfiClear Classic Phosphatbinder Modul	27176	Platte Schaumhalter ProfiClear	Plate ProfiClear
33	ProfiClear Classic Phosphatbinder Modul	27297	Ersatzschwamm schw. breit ProfiClear M5	Repl. foam black wide ProfiClear M5
35	ProfiClear Classic Phosphatbinder Modul	27213	PhosLesshaken ProfiClear	PhosLess clamp ProfiClear
36	ProfiClear Classic Phosphatbinder Modul	36981	AquaActiv PhosLess Algenschutz	AquaActiv PhosLess Algae protection

Produkt / Product

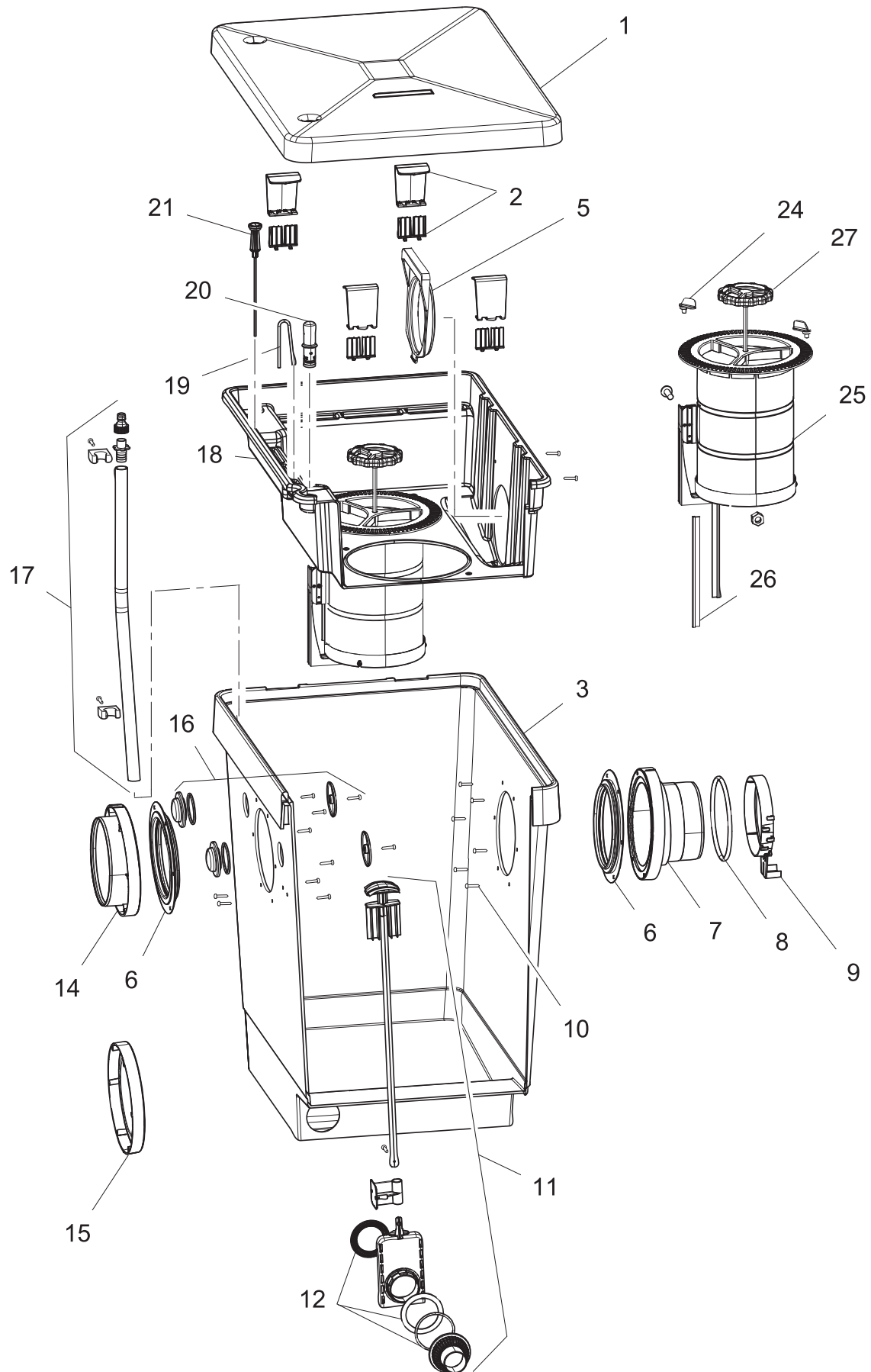
56897 ProfiClear M 1 Pumpenkammer



Pos.	Produkt / Product	Artikelnr. / Item no.	Ersatzteil	Spare part
1	ProfiClear M 1	26765	Deckel ProfiClear M 1 - M 5	Cover ProfiClear M 1 - M 5
3	ProfiClear M 1	27278	Behälter ProfiClear M 1	Filter box ProfiClear M 1
4	ProfiClear M 1	35405	Ersatz Anschlussset ProfiClear	Spare part connection set ProfiClear
6	ProfiClear M 1	26957	Dichtung 150 verschraubt	Gasket 150 screwed
10	ProfiClear M 1	27572	Linsenschraube V2A DIN 7981 6,3 x 32	Oval head screw V2A DIN 7981 6.3 x 32
11	ProfiClear M 1	35406	Ersatz Ablaufset ProfiClear	Spare drain assembly ProfiClear
12	ProfiClear M 1	34859	Dichtungsset Ablauf BioTec 12-18 / M1-M5	Gasket set outlet BioTec 12-18 / M1-M5
13	ProfiClear M 1	26963	Einlaufstutzen 100	Intake 100
15	ProfiClear M 1	27175	Stopfen 150 ProfiClear	Plug 150 ProfiClear
22	ProfiClear M 1	35429	Ersatz Bitronstütze ProfiClear	Spare Bitron holder ProfiClear
23	ProfiClear M 1	35407	Ersatz Bodensieb inkl. Fuß ProfiClear	Spare base screen incl. foot ProfiClear
37	ProfiClear M 1	27171	Schieber DN 100	Slider DN 100

Produkt / Product

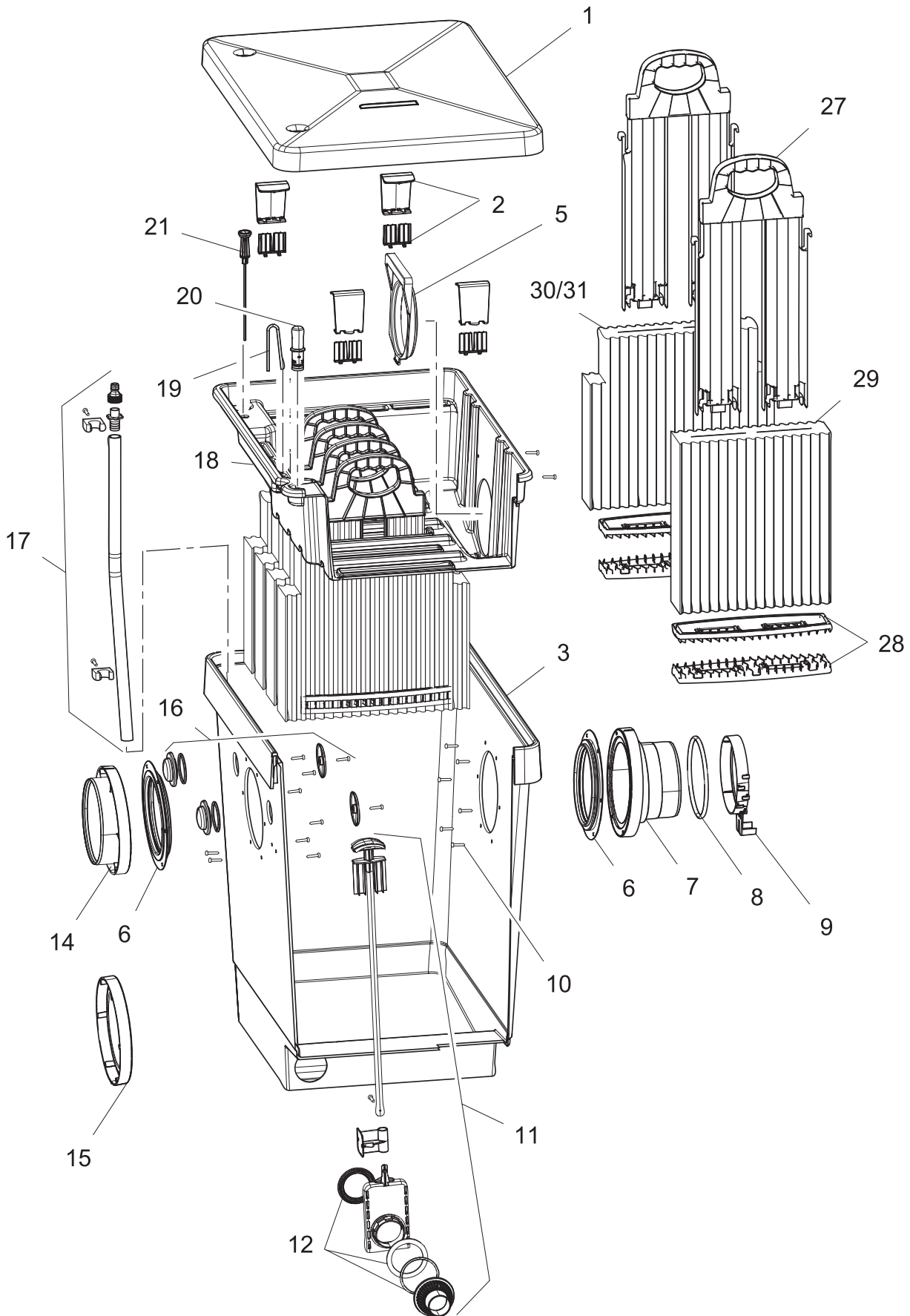
37108 ProfiClear M 2 Grobschmutzabscheider



Pos.	Produkt / Product	Artikelnr. / Item no.	Ersatzteil	Spare part
1	ProfiClear M 2	26765	Deckel ProfiClear M 1 - M 5	Cover ProfiClear M 1 - M 5
2	ProfiClear M 2	4 x 35408	Ersatz Rasthaken 1 + 2 ProfiClear	Spare clip inner lid 1 + 2 ProfiClear
3	ProfiClear M 2	26764	Behälter ProfiClear M 2 - M 5	Filter box ProfiClear M 2 - M 5
5	ProfiClear M 2	26960	Auslaufrastung ProfiClear M 2 - M 5	Outlet grid ProfiClear M 2 - M 5
6	ProfiClear M 2	26957	Dichtung 150 verschraubt	Gasket 150 screwed
7	ProfiClear M 2	26958	Auslauf 150/1 ProfiClear M 2 - M 5	Outlet 150/1 ProfiClear M 2 - M 5
8	ProfiClear M 2	27669	O-Ring NBR 156 x 10 SH70	O-Ring NBR 156 x 10 SH70
9	ProfiClear M 2	26968	Sauerstoffsteinhalter	Aeratorblock retainer
10	ProfiClear M 2	27572	Linsenschraube V2A DIN 7981 6,3 x 32	Oval head screw V2A DIN 7981 6.3 x 32
11	ProfiClear M 2	35406	Ersatz Ablaufset ProfiClear	Spare drain assembly ProfiClear
12	ProfiClear M 2	34859	Dichtungsset Ablauf BioTec 12-18 / M1-M5	Gasket set outlet BioTec 12-18 / M1-M5
14	ProfiClear M 2	26987	Auslauf 150/2 ProfiClear M 2 - M 5	Outlet 150/2 ProfiClear M 2 - M 5
15	ProfiClear M 2	27175	Stopfen 150 ProfiClear	Plug 150 ProfiClear
16	ProfiClear M 2	19325	BG Stopfen kpl. Modulfilter 1 1/2"	ASM plug cpl. module filter 1 1/2"
17	ProfiClear M 2	35411	Ersatz Sprüheinrichtung ProfiClear	Spare spray unit ProfiClear
18	ProfiClear M 2	26966	Innendeckel Screenex	Inner cover Screenex
19	ProfiClear M 2	27172	Luftanschluss ProfiClear	Air connection ProfiClear
20	ProfiClear M 2	35409	Ersatz Wasserstandsanzeige ProfiClear	Spare water level indicator ProfiClear
21	ProfiClear M 2	35410	Ersatz Thermometer mit Stütze ProfiClear	Spare thermometer with clip ProfiClear
24	ProfiClear M 2	35873	BG Zylinderhalter ProfiClear M 2	ASM cylinder retainer ProfiClear M 2
25	ProfiClear M 2	27173	BG Zylinder Screenex Proficlear	ASM cylinder screenex ProfiClear
26	ProfiClear M 2	26972	Bürste Screenex Zylinder ProfiClear M 2	Brush Screenex cylinder ProfiClear M 2
27	ProfiClear M 2	26979	Drehgriff Screenex Zylinder ProfiCl. M2	Turning handle Sreenex cylin. ProfiCl.M2

Produkt / Product

37107 ProfiClear M 3 Filterschaummodul

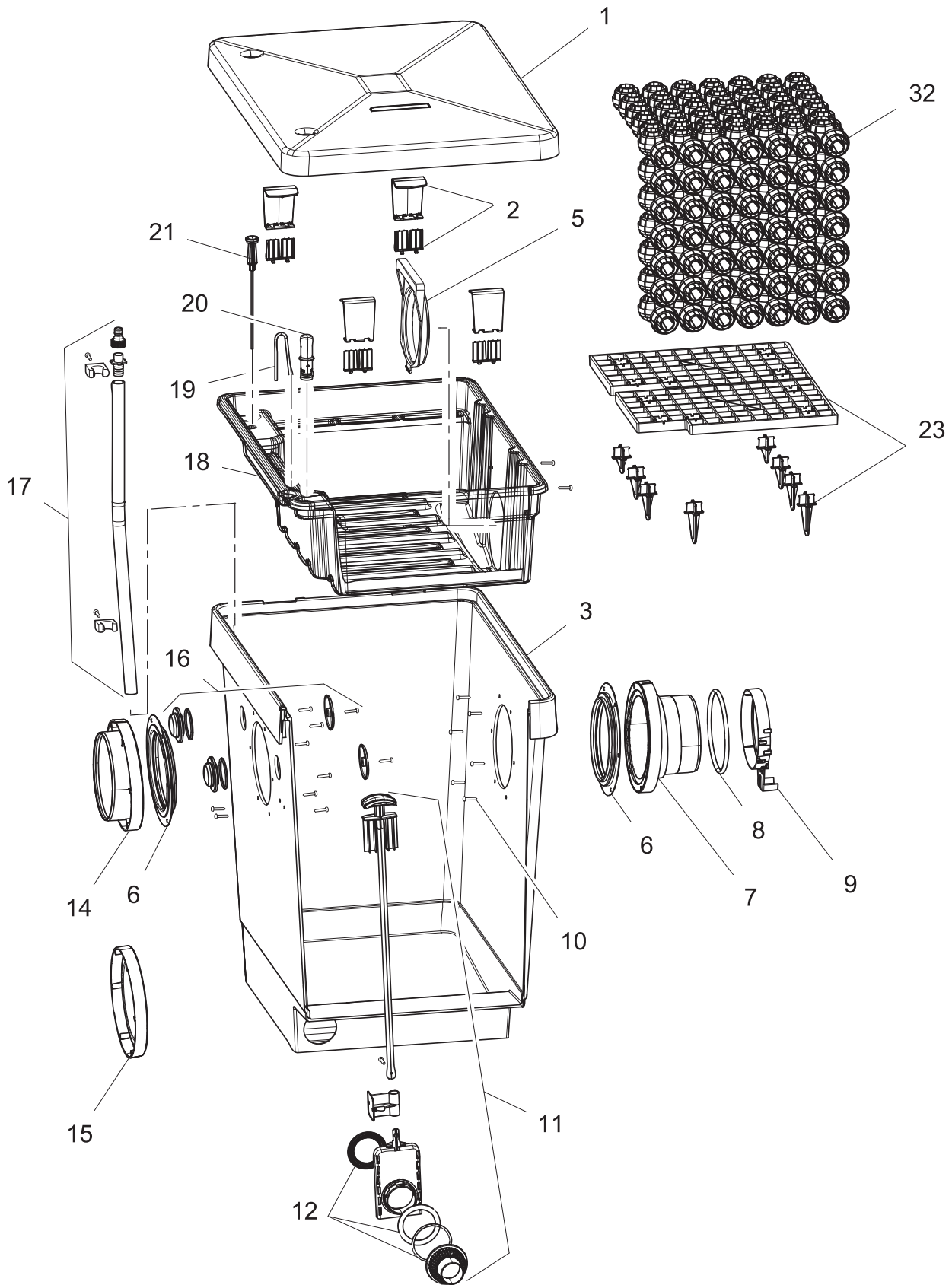




Pos.	Produkt / Product	Artikelnr. / Item no.	Ersatzteil	Spare part
1	ProfiClear M 3	26765	Deckel ProfiClear M 1 - M 5	Cover ProfiClear M 1 - M 5
2	ProfiClear M 3	4 x 35408	Ersatz Rasthaken 1 + 2 ProfiClear	Spare clip inner lid 1 + 2 ProfiClear
3	ProfiClear M 3	26764	Behälter ProfiClear M 2 - M 5	Filter box ProfiClear M 2 - M 5
5	ProfiClear M 3	26960	Auslaufrastung ProfiClear M 2 - M 5	Outlet grid ProfiClear M 2 - M 5
6	ProfiClear M 3	26957	Dichtung 150 verschraubt	Gasket 150 screwed
7	ProfiClear M 3	26958	Auslauf 150/1 ProfiClear M 2 - M 5	Outlet 150/1 ProfiClear M 2 - M 5
8	ProfiClear M 3	27669	O-Ring NBR 156 x 10 SH70	O-Ring NBR 156 x 10 SH70
9	ProfiClear M 3	26968	Sauerstoffsteinhalter	Aeratorblock retainer
10	ProfiClear M 3	27572	Linsenschraube V2A DIN 7981 6,3 x 32	Oval head screw V2A DIN 7981 6.3 x 32
11	ProfiClear M 3	35406	Ersatz Ablaufset ProfiClear	Spare drain assembly ProfiClear
12	ProfiClear M 3	34859	Dichtungsset Ablauf BioTec 12-18 / M1-M5	Gasket set outlet BioTec 12-18 / M1-M5
14	ProfiClear M 3	26987	Auslauf 150/2 ProfiClear M 2 - M 5	Outlet 150/2 ProfiClear M 2 - M 5
15	ProfiClear M 3	27175	Stopfen 150 ProfiClear	Plug 150 ProfiClear
16	ProfiClear M 3	19325	BG Stopfen kpl. Modulfilter 1 1/2"	ASM plug cpl. module filter 1 1/2"
17	ProfiClear M 3	35411	Ersatz Sprüheinrichtung ProfiClear	Spare spray unit ProfiClear
18	ProfiClear M 3	26981	Innendeckel Schaum ProfiClear M 3 - M 5	Inner cover foam ProfiClear M 3 - M 5
19	ProfiClear M 3	27172	Luftanschluss ProfiClear	Air connection ProfiClear
20	ProfiClear M 3	35409	Ersatz Wasserstandsanzeige ProfiClear	Spare water level indicator ProfiClear
21	ProfiClear M 3	35410	Ersatz Thermometer mit Stütze ProfiClear	Spare thermometer with clip ProfiClear
27	ProfiClear M 3	6 x 26982	Schaumhalter ProfiClear	Foam holder ProfiClear
28	ProfiClear M 3	12 x 27176	Platte Schaumhalter ProfiClear	Plate ProfiClear
29	ProfiClear M 3	26984	Ersatzschwamm blau schmal ProfiClear M3	Repl. foam blue narrow ProfiClear M3
30	ProfiClear M 3	27295	Ersatzschwamm rot ProfiClear M3	Repl. foam red ProfiClear M3
31	ProfiClear M 3	2 x 26983	Ersatzschwamm blau breit ProfiClear M3	Repl. foam blue wide ProfiClear M3

Produkt / Product

37144 ProfiClear M 4 Bioballs Filtermodul



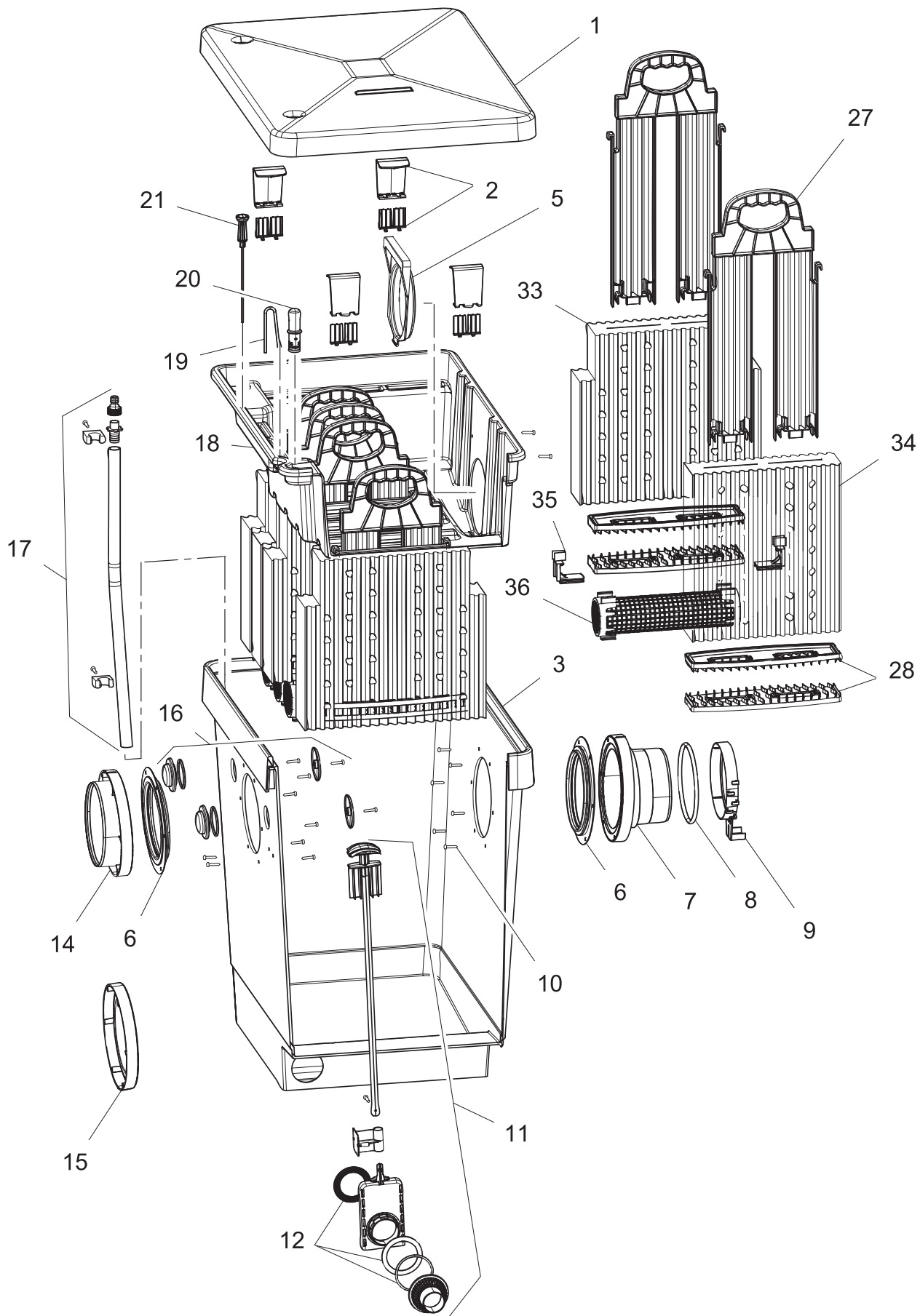
Pos.	Produkt / Product	Artikelnr. / Item no.	Ersatzteil	Spare part
1	ProfiClear M 4	26765	Deckel ProfiClear M 1 - M 5	Cover ProfiClear M 1 - M 5
2	ProfiClear M 4	4 x 35408	Ersatz Rasthaken 1 + 2 ProfiClear	Spare clip inner lid 1 + 2 ProfiClear
3	ProfiClear M 4	26764	Behälter ProfiClear M 2 - M 5	Filter box ProfiClear M 2 - M 5
5	ProfiClear M 4	26960	Auslaufrastung ProfiClear M 2 - M 5	Outlet grid ProfiClear M 2 - M 5
6	ProfiClear M 4	26957	Dichtung 150 verschraubt	Gasket 150 screwed
7	ProfiClear M 4	26958	Auslauf 150/1 ProfiClear M 2 - M 5	Outlet 150/1 ProfiClear M 2 - M 5
8	ProfiClear M 4	27669	O-Ring NBR 156 x 10 SH70	O-Ring NBR 156 x 10 SH70
9	ProfiClear M 4	26968	Sauerstoffsteinhalter	Aeratorblock retainer
10	ProfiClear M 4	27572	Linsenschraube V2A DIN 7981 6,3 x 32	Oval head screw V2A DIN 7981 6.3 x 32
11	ProfiClear M 4	35406	Ersatz Ablaufset ProfiClear	Spare drain assembly ProfiClear
12	ProfiClear M 4	34859	Dichtungsset Ablauf BioTec 12-18 / M1-M5	Gasket set outlet BioTec 12-18 / M1-M5
14	ProfiClear M 4	26987	Auslauf 150/2 ProfiClear M 2 - M 5	Outlet 150/2 ProfiClear M 2 - M 5
15	ProfiClear M 4	27175	Stopfen 150 ProfiClear	Plug 150 ProfiClear
16	ProfiClear M 4	19325	BG Stopfen kpl. Modulfilter 1 1/2"	ASM plug cpl. module filter 1 1/2"
17	ProfiClear M 4	35411	Ersatz Sprüheinrichtung ProfiClear	Spare spray unit ProfiClear
18	ProfiClear M 4	26981	Innendeckel Schaum ProfiClear M 3 - M 5	Inner cover foam ProfiClear M 3 - M 5
19	ProfiClear M 4	27172	Luftanschluss ProfiClear	Air connection ProfiClear
20	ProfiClear M 4	35409	Ersatz Wasserstandsanzeige ProfiClear	Spare water level indicator ProfiClear
21	ProfiClear M 4	35410	Ersatz Thermometer mit Stütze ProfiClear	Spare thermometer with clip ProfiClear
23	ProfiClear M 4	35407	Ersatz Bodensieb inkl. Fuß ProfiClear	Spare base screen incl. foot ProfiClear
32	ProfiClear M 4	10549	Ersatz Bioballs ProfiClear M 4	Spare part Bioballs ProfiClear M 4

Produkt / Product

37109 ProfiClear M 5 Phosphatbinder Modul

FILTER & BELÜFTER / FILTERS & AERATORS

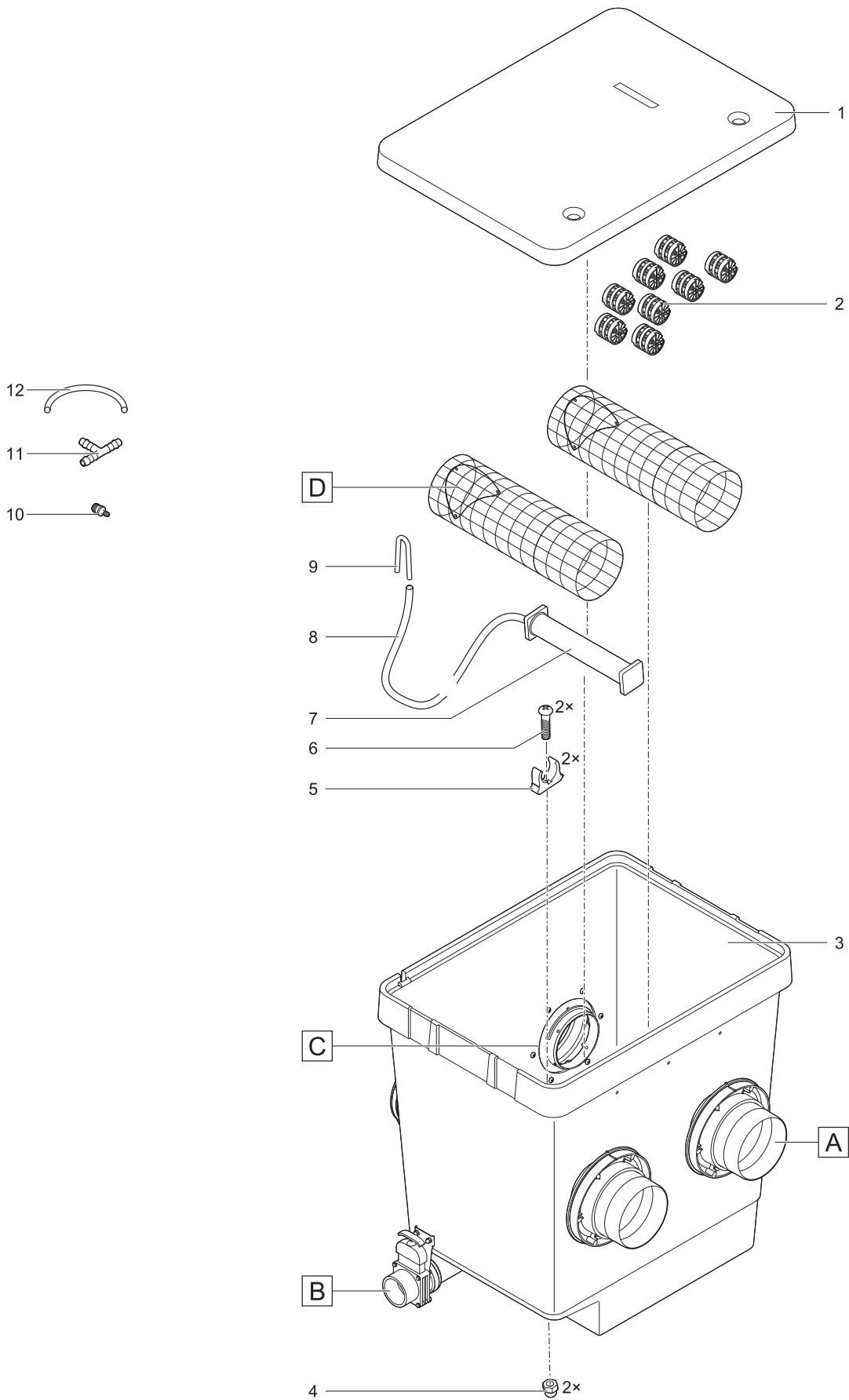
MODULFILTER / MODULE FILTERS

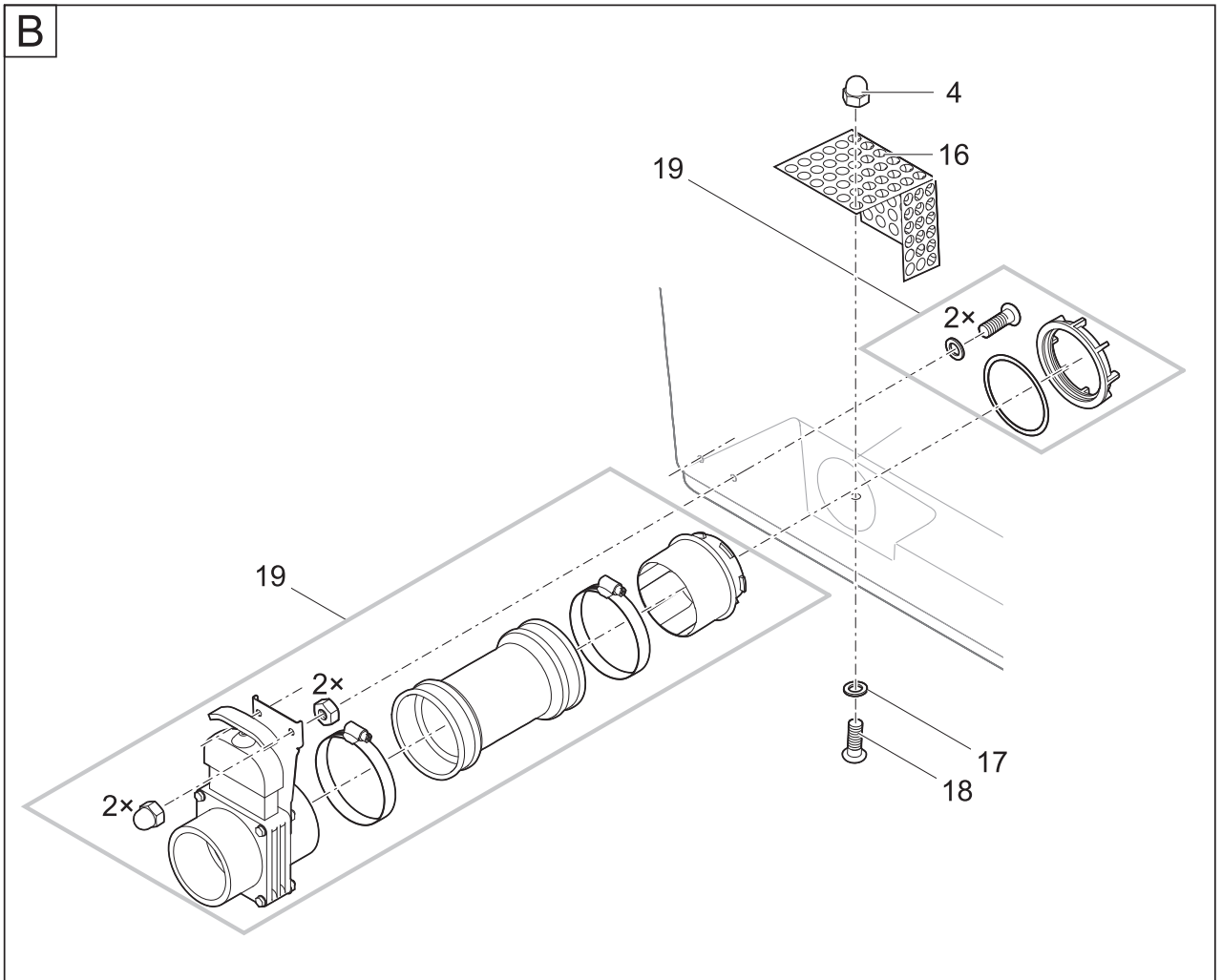
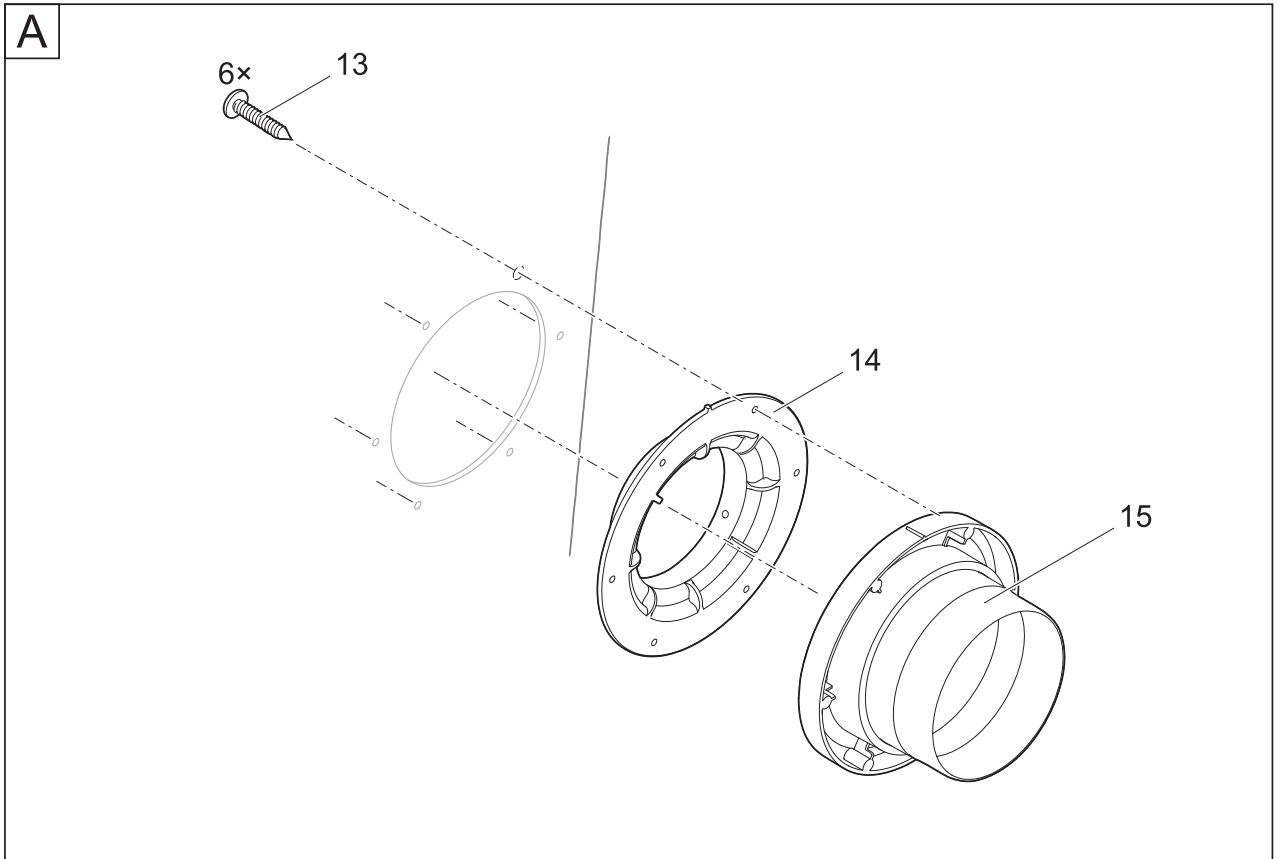


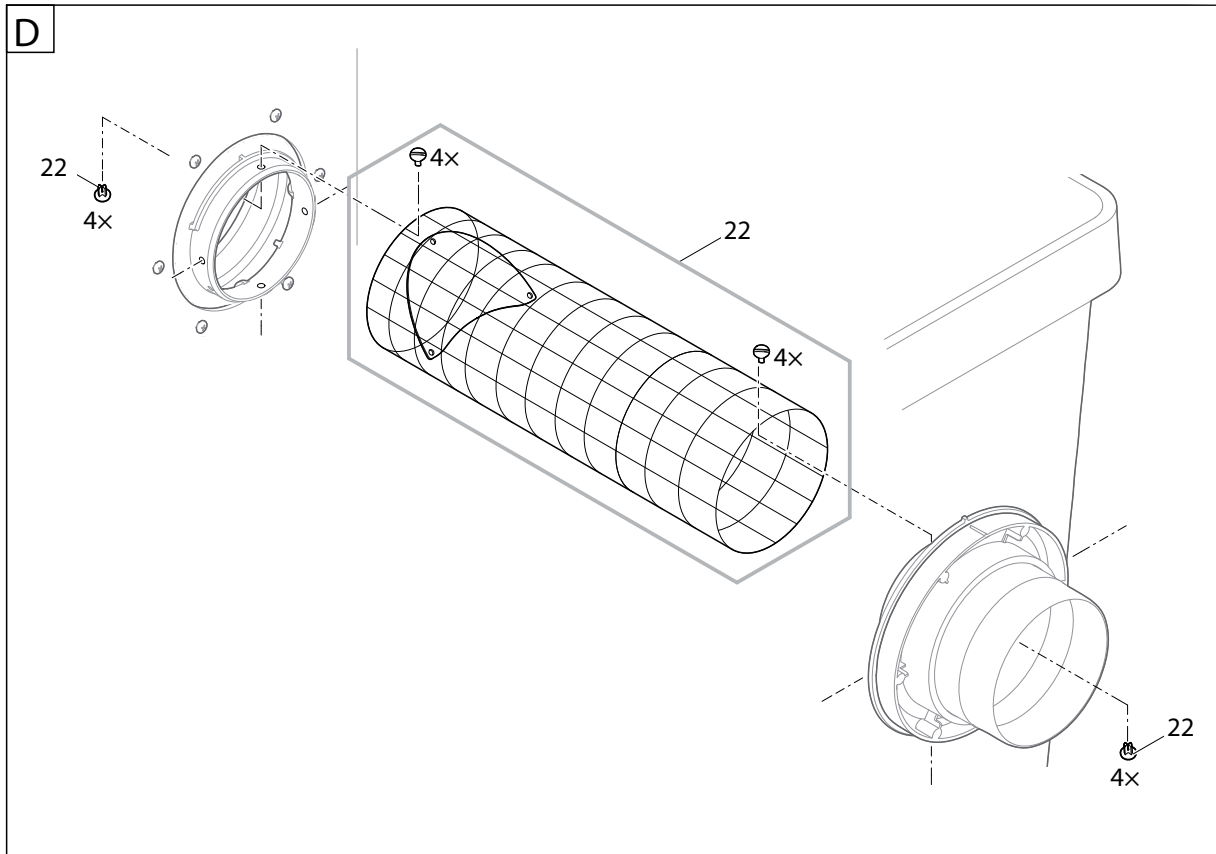
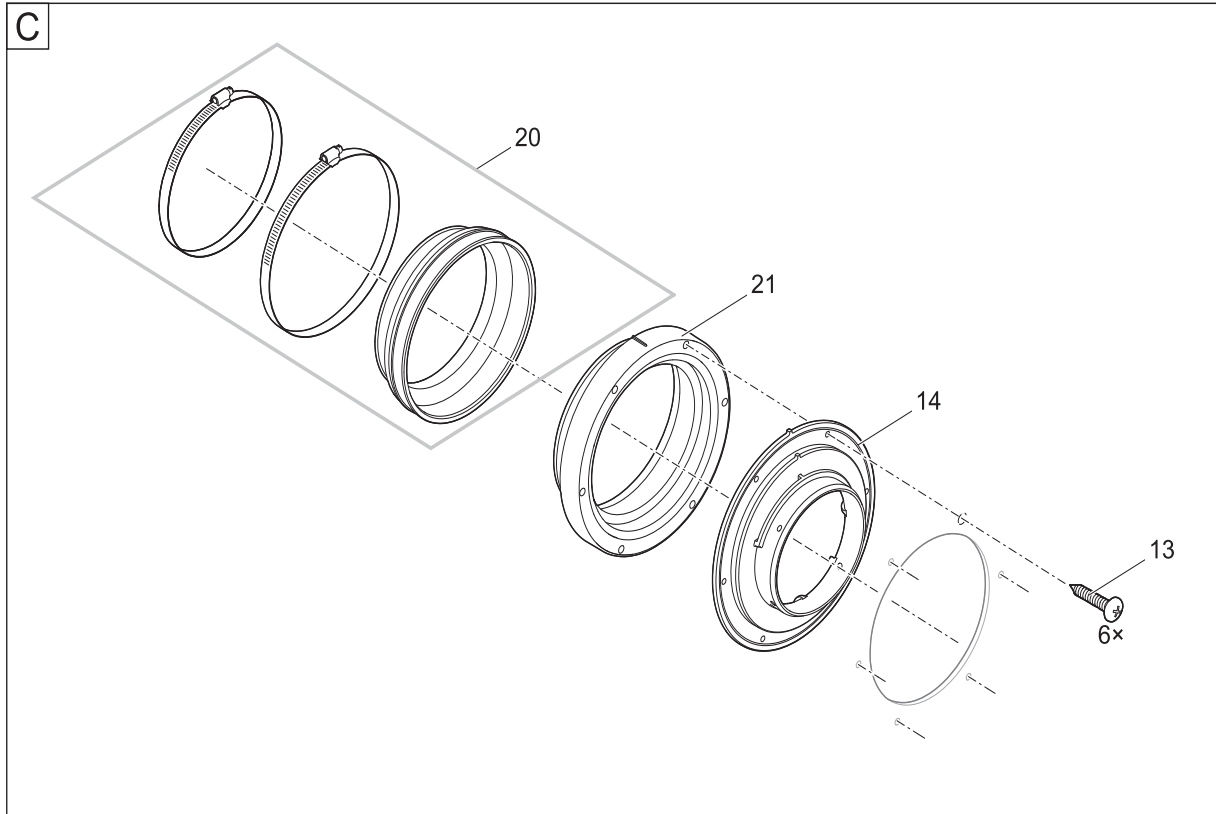
Pos.	Produkt / Product	Artikelnr. / Item no.	Ersatzteil	Spare part
1	ProfiClear M 5	26765	Deckel ProfiClear M 1 - M 5	Cover ProfiClear M 1 - M 5
2	ProfiClear M 5	4 x 35408	Ersatz Rasthaken 1 + 2 ProfiClear	Spare clip inner lid 1 + 2 ProfiClear
3	ProfiClear M 5	26764	Behälter ProfiClear M 2 - M 5	Filter box ProfiClear M 2 - M 5
5	ProfiClear M 5	26960	Auslaufrostung ProfiClear M 2 - M 5	Outlet grid ProfiClear M 2 - M 5
6	ProfiClear M 5	26957	Dichtung 150 verschraubt	Gasket 150 screwed
7	ProfiClear M 5	26958	Auslauf 150/1 ProfiClear M 2 - M 5	Outlet 150/1 ProfiClear M 2 - M 5
8	ProfiClear M 5	27669	O-Ring NBR 156 x 10 SH70	O-Ring NBR 156 x 10 SH70
9	ProfiClear M 5	26968	Sauerstoffsteinhalter	Aeratorblock retainer
10	ProfiClear M 5	27572	Linsenschraube V2A DIN 7981 6,3 x 32	Oval head screw V2A DIN 7981 6.3 x 32
11	ProfiClear M 5	35406	Ersatz Ablaufset ProfiClear	Spare drain assembly ProfiClear
12	ProfiClear M 5	34859	Dichtungsset Ablauf BioTec 12-18 / M1-M5	Gasket set outlet BioTec 12-18 / M1-M5
14	ProfiClear M 5	26987	Auslauf 150/2 ProfiClear M 2 - M 5	Outlet 150/2 ProfiClear M 2 - M 5
15	ProfiClear M 5	27175	Stopfen 150 ProfiClear	Plug 150 ProfiClear
16	ProfiClear M 5	19325	BG Stopfen kpl. Modulfilter 1 1/2"	ASM plug cpl. module filter 1 1/2"
17	ProfiClear M 5	35411	Ersatz Sprüheinrichtung ProfiClear	Spare spray unit ProfiClear
18	ProfiClear M 5	26981	Innendeckel Schaum ProfiClear M 3 - M 5	Inner cover foam ProfiClear M 3 - M 5
19	ProfiClear M 5	27172	Luftanschluss ProfiClear	Air connection ProfiClear
20	ProfiClear M 5	35409	Ersatz Wasserstandsanzeige ProfiClear	Spare water level indicator ProfiClear
21	ProfiClear M 5	35410	Ersatz Thermometer mit Stütze ProfiClear	Spare thermometer with clip ProfiClear
27	ProfiClear M 5	26982	Schaumhalter ProfiClear	Foam holder ProfiClear
28	ProfiClear M 5	12 x 27176	Platte Schaumhalter ProfiClear	Plate ProfiClear
33	ProfiClear M 5	5 x 27297	Ersatzschwamm schw. breit ProfiClear M5	Repl. foam black wide ProfiClear M5
34	ProfiClear M 5	27296	Ersatzschwamm schw. schmal ProfiClear M5	Repl. foam black narrow ProfiClear M5
35	ProfiClear M 5	27213	PhosLesshaken ProfiClear	PhosLess clamp ProfiClear
36	ProfiClear M 5	2 x 36981	AquaActiv PhosLess Algenschutz	AquaActiv PhosLess Algae protection

Produkt / Product

50772 ProfiClear Premium Moving Bed Modul





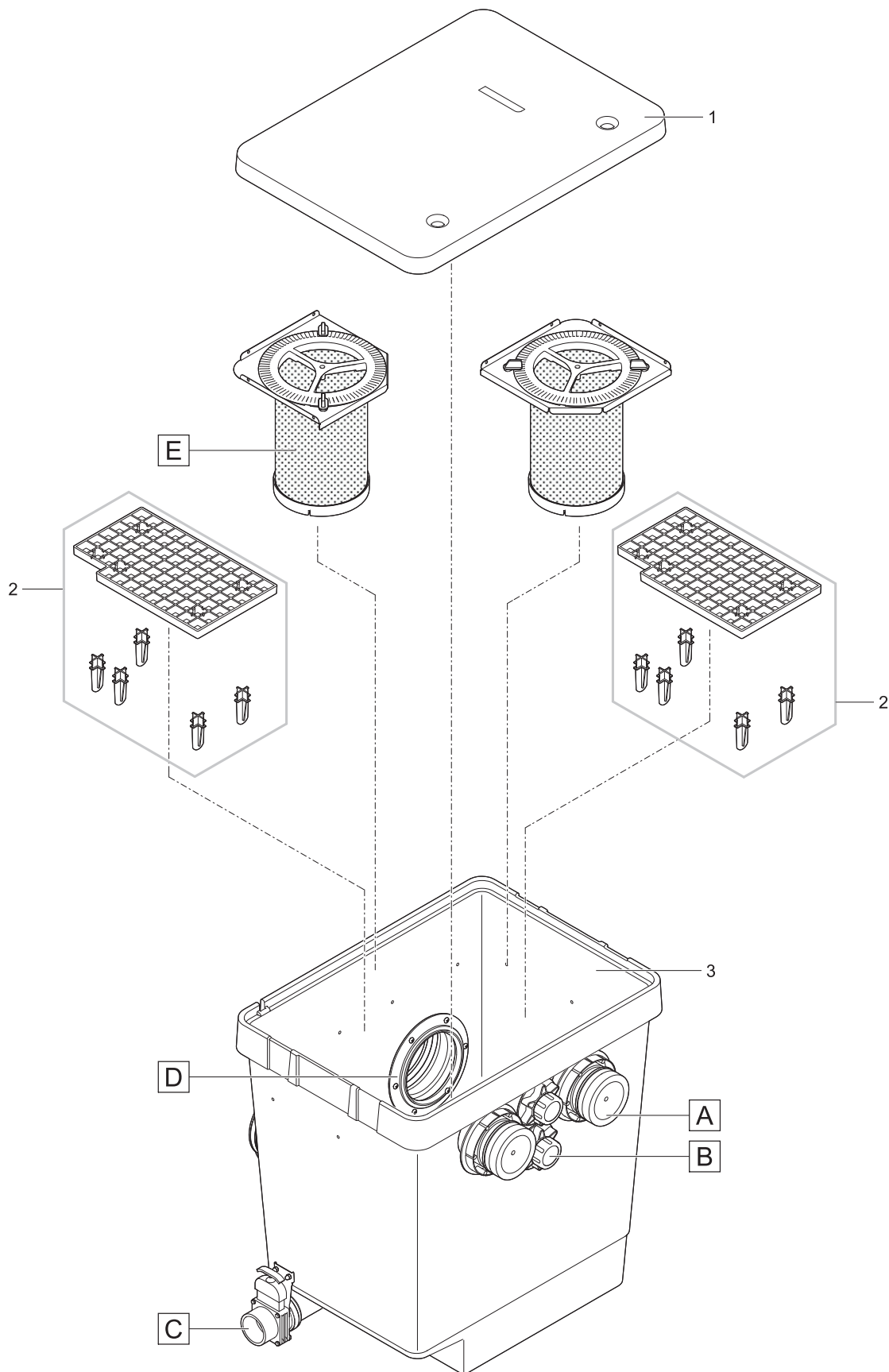


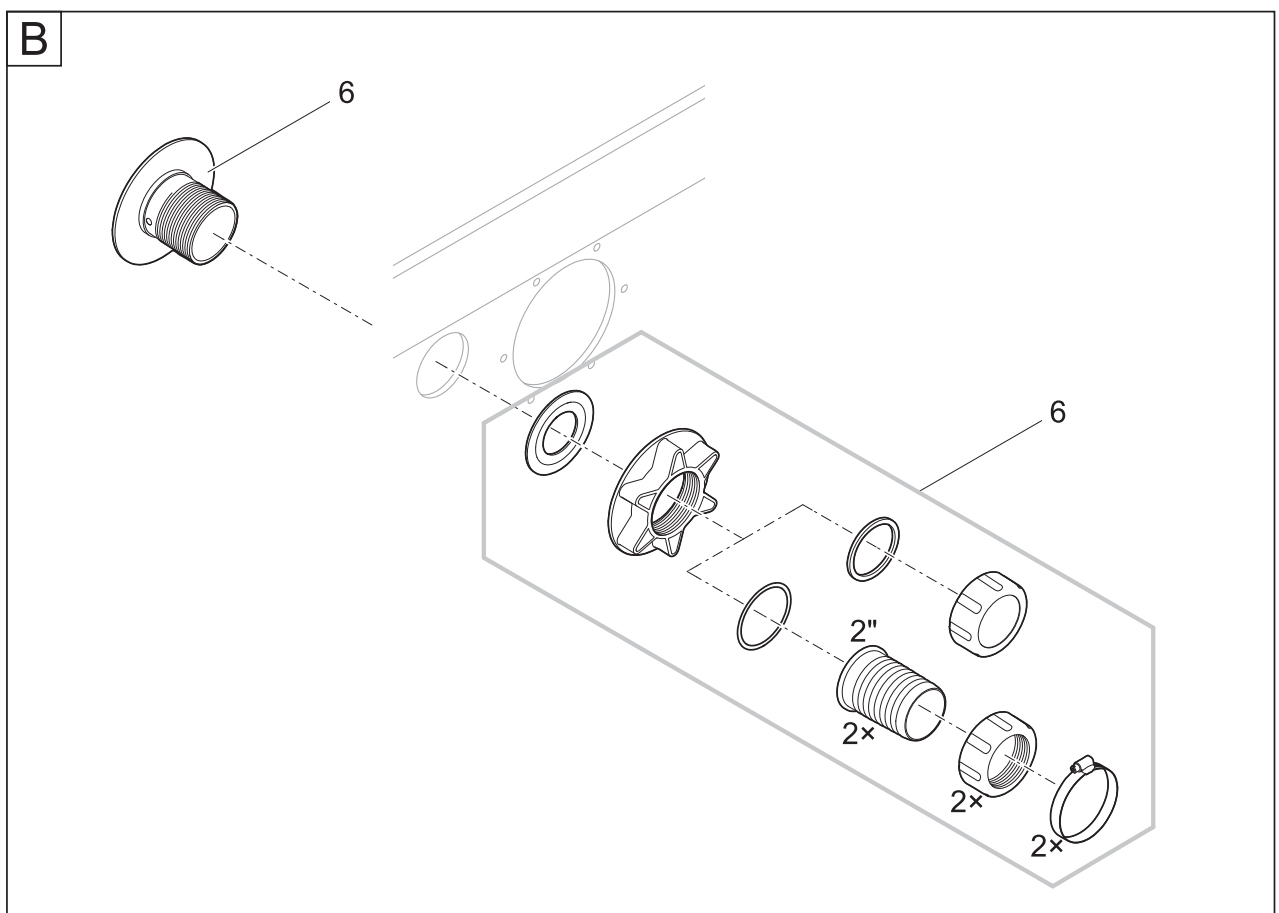
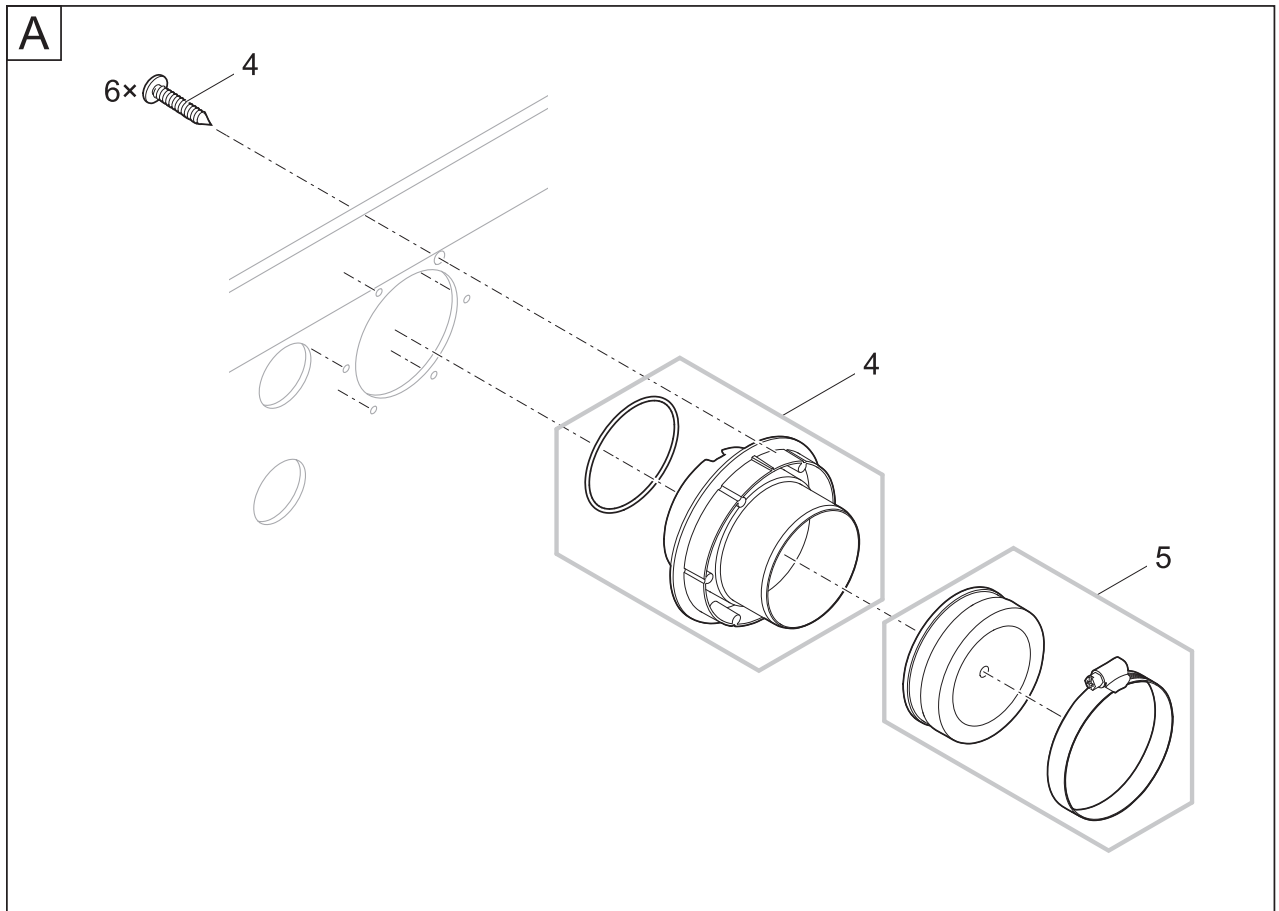


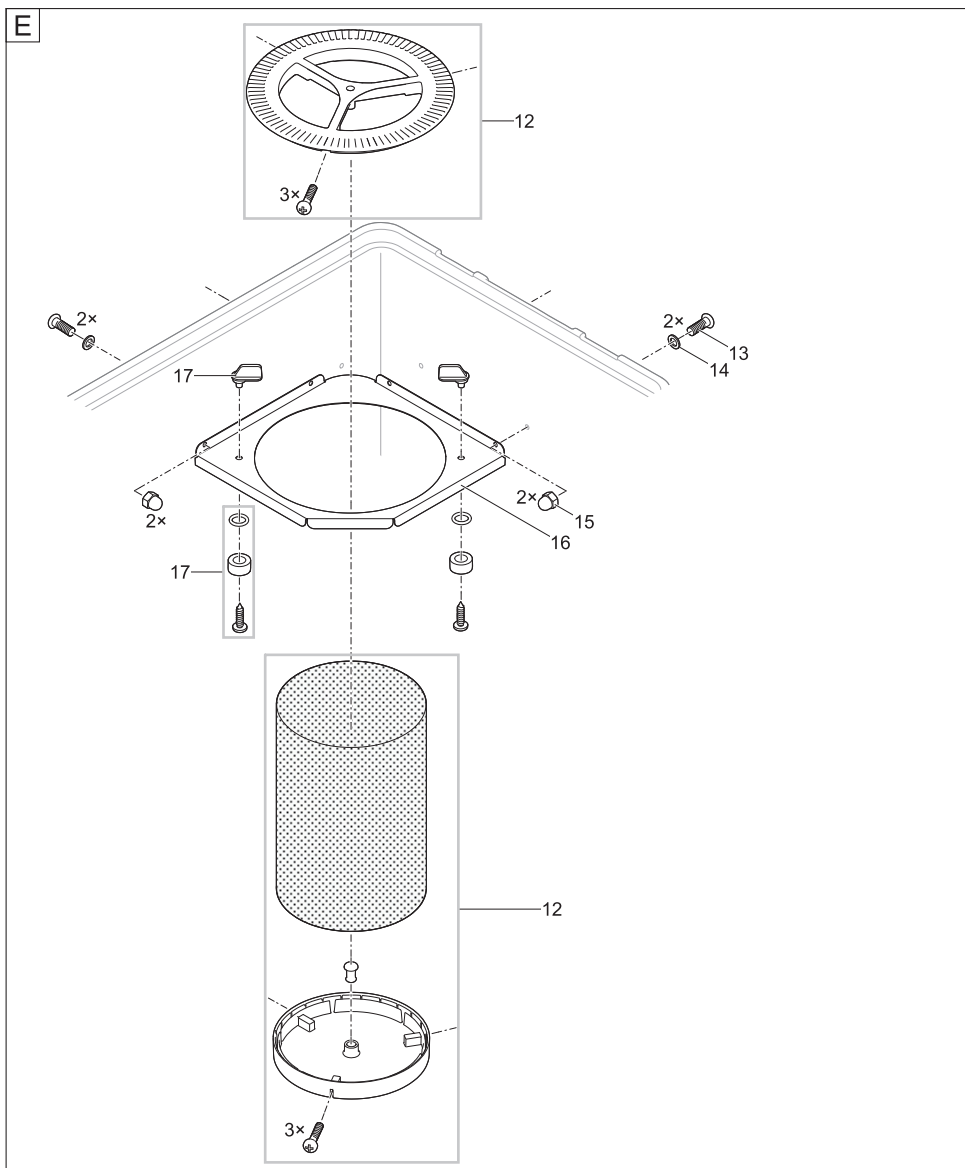
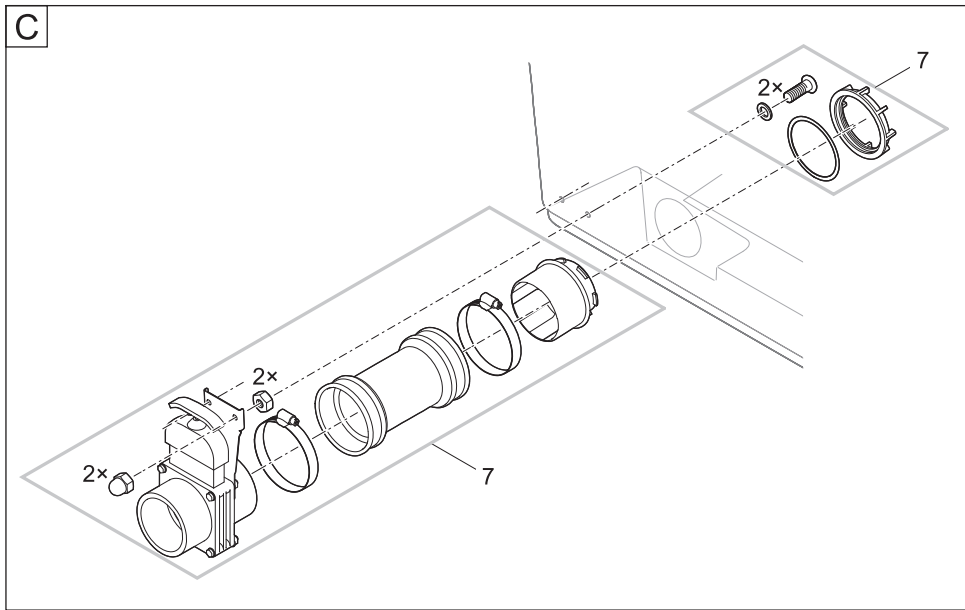
Pos.	Produkt / Product	Artikelnr. / Item no.	Ersatzteil	Spare part
1	ProfiClear Premium Moving Bed Modul	19333	Deckel ProfiClear Premium	Cover ProfiClear Premium
2	ProfiClear Premium Moving Bed Modul	51060	Hel-X Biomedium 25 l	Hel-X Biomedica 25 l
3	ProfiClear Premium Moving Bed Modul	17038	Behälter Biomodul	Container bio module
4	ProfiClear Premium Moving Bed Modul	6117	Hutmutter V2A DIN 1587 M6	Cap nut V2A M6
5	ProfiClear Premium Moving Bed Modul	17216	Lagesicherung Belüfterstab Biofilter	Bearing safety breather slat bio filter
6	ProfiClear Premium Moving Bed Modul	17918	Linsenschraube V2A DIN 7985 M6 x 25	Oval head screw V2A DIN 7985 M6 x 25
7	ProfiClear Premium Moving Bed Modul	17391	Sprudelstein ProfiClear Premium Mov. Bed	Air stone ProfiClear Premium Moving Bed
8	ProfiClear Premium Moving Bed Modul	18184	PVC Luftschlauch transp. DI 9 mm x 0,85m	PVC air hose transp. DI 9 mm x 0.85 m
9	ProfiClear Premium Moving Bed Modul	17591	Luftanschluss ProfiClear Prem. Mov. Bed	Air connection ProfiClear Prem. Mov. Bed
10	ProfiClear Premium Moving Bed Modul	17631	Schlauchadapter 4 auf 9 mm	Hose adapter 4 to 9 mm
11	ProfiClear Premium Moving Bed Modul	18186	Luftanschluss T-Stück 9 mm	Air connection T-piece 9 mm
12	ProfiClear Premium Moving Bed Modul	18185	PVC Luftschlauch transp. DI 9 mm x 0,10m	PVC air hose transp. DI 9 mm x 0.10 m
13	ProfiClear Premium Moving Bed Modul	27572	Linsenschraube V2A DIN 7981 6,3 x 32	Oval head screw V2A DIN 7981 6.3 x 32
14	ProfiClear Premium Moving Bed Modul	17248	Dichtung Gitterrohr	Gasket mesh tube
15	ProfiClear Premium Moving Bed Modul	26958	Auslauf 150/1 ProfiClear M 2 - M 5	Outlet 150/1 ProfiClear M 2 - M 5
16	ProfiClear Premium Moving Bed Modul	17327	Lochblech Schmutzauslauf	Perforated sheet outlet
17	ProfiClear Premium Moving Bed Modul	17382	Fiberscheibe DIN 7603 6 x 10 x 1 mm	Fiberplate DIN 7603 6 x 10 x 1 mm
18	ProfiClear Premium Moving Bed Modul	14596	Linsenschraube V2A DIN 7985 M6 x 16	Oval head screw V2A DIN 7985 M6 x 16
19	ProfiClear Premium Moving Bed Modul	18446	Ersatz Abfluss DN75 ProfiClear	Spare drain DN75 ProfiClear
20	ProfiClear Premium Moving Bed Modul	17251	BG Gummimuffe D178 mm	ASM rubber bushing D178 mm
21	ProfiClear Premium Moving Bed Modul	26987	Auslauf 150/2 ProfiClear M 2 - M 5	Outlet 150/2 ProfiClear M 2 - M 5
22	ProfiClear Premium Moving Bed Modul	19006	BG Gitterrohr Biomodul	ASM fence tube bio module

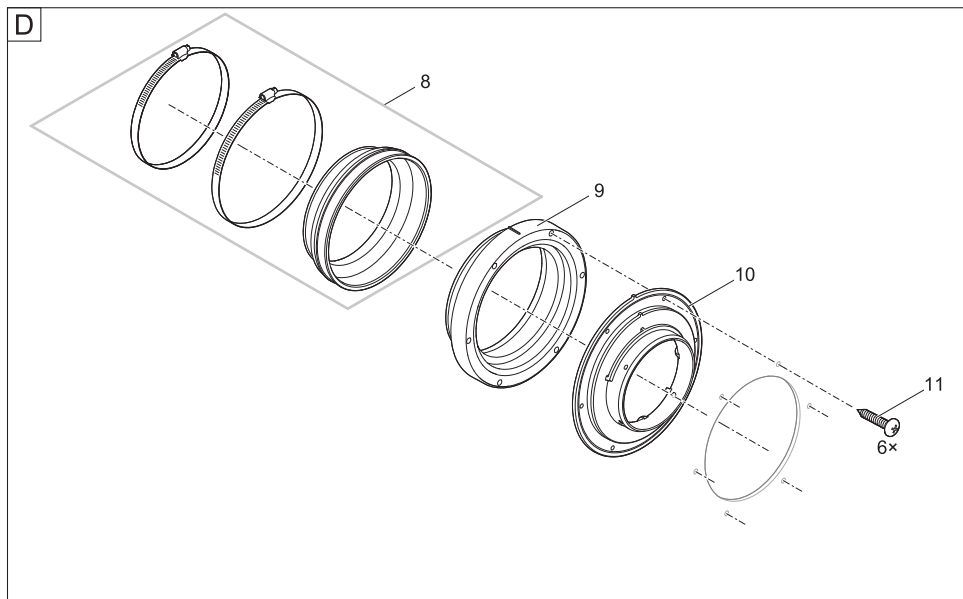
Produkt / Product

50771 ProfiClear Premium Individualmodul





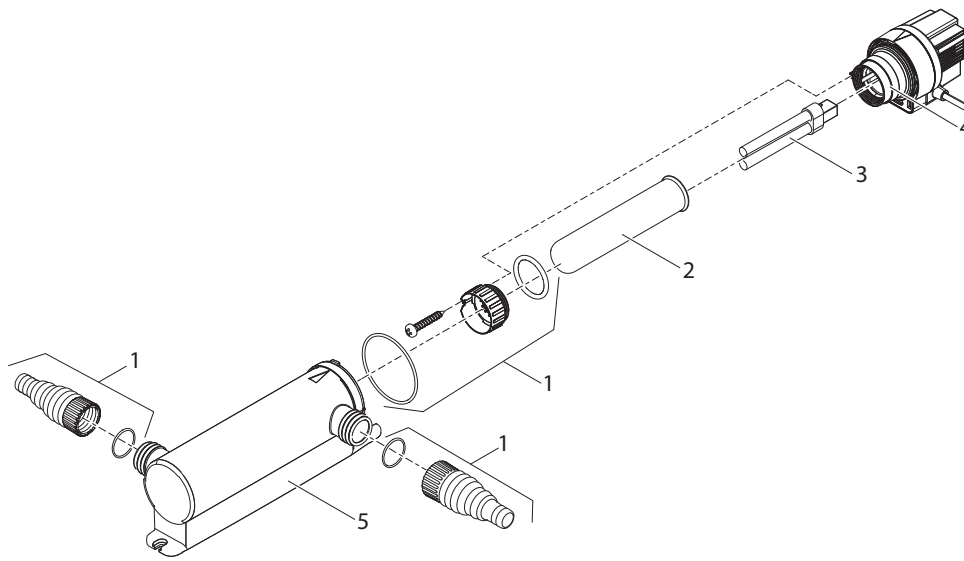




Pos.	Produkt / Product	Artikelnr. / Item no.	Ersatzteil	Spare part
1	ProfiClear Premium Individualmodul	19333	Deckel ProfiClear Premium	Cover ProfiClear Premium
2	ProfiClear Premium Individualmodul	35407	Ersatz Bodensieb inkl. Fuß ProfiClear	Spare base screen incl. foot ProfiClear
3	ProfiClear Premium Individualmodul	17040	Behälter UVC Phosphat	Container UVC phosphate
4	ProfiClear Premium Individualmodul	19005	BG Anschluss Set DN 110	ASM connection set DN 110
5	ProfiClear Premium Individualmodul	16387	Verschlusskappe DN 100	Clothing cap DN 100
6	ProfiClear Premium Individualmodul	18833	Ersatz Durchführung ProfiClear Individ.	Spare grommet ProfiClear individual
7	ProfiClear Premium Individualmodul	18446	Ersatz Abfluss DN75 ProfiClear	Spare drain DN75 ProfiClear
8	ProfiClear Premium Individualmodul	17251	BG Gummimuffe D178 mm	ASM rubber bushing D178 mm
9	ProfiClear Premium Individualmodul	26987	Auslauf 150/2 ProfiClear M 2 - M 5	Outlet 150/2 ProfiClear M 2 - M 5
10	ProfiClear Premium Individualmodul	26957	Dichtung 150 verschraubt	Gasket 150 screwed
11	ProfiClear Premium Individualmodul	27572	Linsenschraube V2A DIN 7981 6,3 x 32	Oval head screw V2A DIN 7981 6.3 x 32
12	ProfiClear Premium Individualmodul	18800	Ersatz Sieb ProfiClear Individualmodul	Spare mesh ProfiClear individual module
13	ProfiClear Premium Individualmodul	14596	Linsenschraube V2A DIN 7985 M6 x 16	Oval head screw V2A DIN 7985 M6 x 16
14	ProfiClear Premium Individualmodul	17382	Fiberscheibe DIN 7603 6 x 10 x 1 mm	Fiberplate DIN 7603 6 x 10 x 1 mm
15	ProfiClear Premium Individualmodul	6117	Hutmutter V2A DIN 1587 M6	Cap nut V2A M6
16	ProfiClear Premium Individualmodul	17534	Korbhalteblech ProfiClear	Basket holding plate ProfiClear
17	ProfiClear Premium Individualmodul	18812	Ersatz Zylinderhalter ProfiClear Premium	Spare cylinder fixing ProfiClear Premium

Produkt / Product

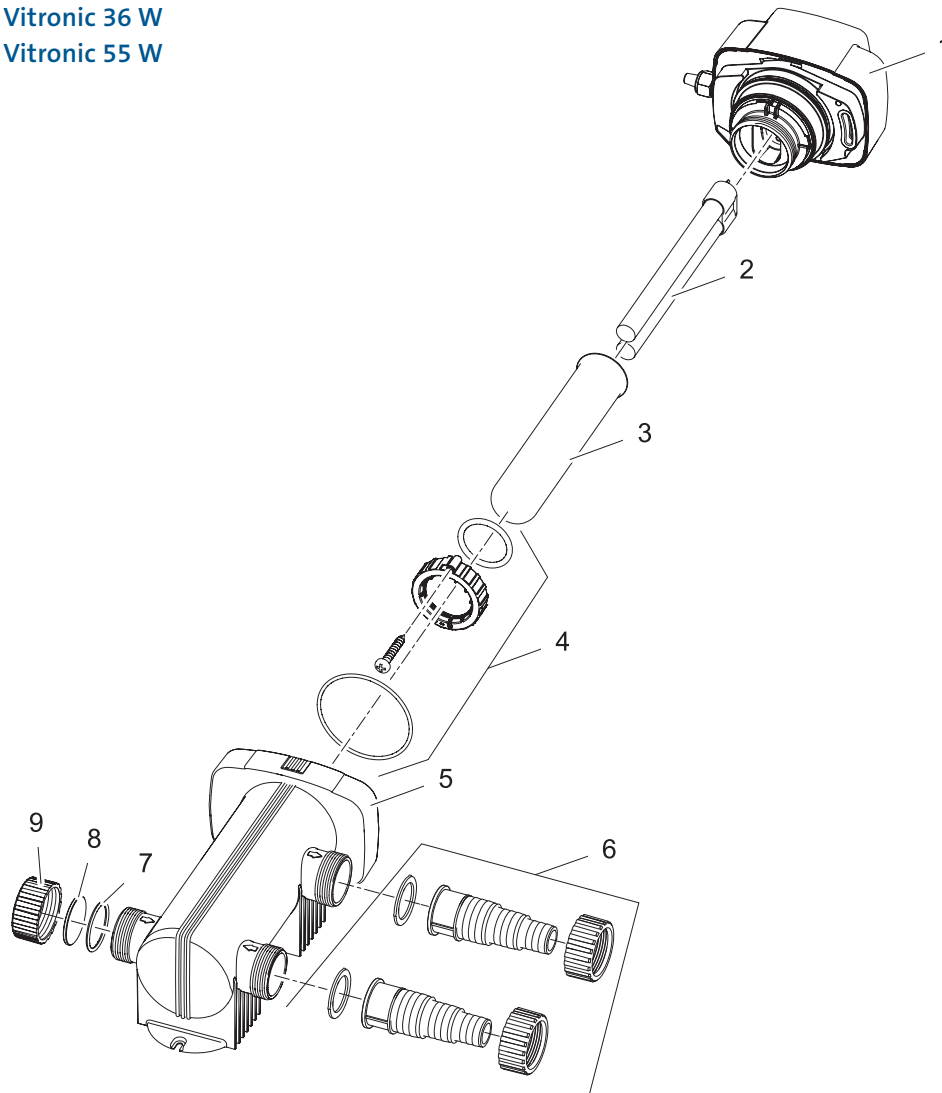
57370 Vitronic 11 W



Pos.	Produkt / Product	Artikelnr. / Item no.	Ersatzteil	Spare part
1	Vitronic 11	27576	Ersatzteil-Set Vorklängerät 7 / 9 / 11 W	Spare part set UVC-cleaner 7 / 9 / 11 W
2	Vitronic 11	13312	Ersatz Quarzglas UVC 7 / 9 / 11 W	Spare quartz glass UVC 7 / 9 / 11 W
3	Vitronic 11	56112	Ersatzlampe UVC 11 W	Replacement bulb UVC 11 W
4	Vitronic 11	15665	BG UVC 7 / 9 / 11 W 2011	ASM UVC 7 / 9 / 11 W 2011
5	Vitronic 11	26940	Wassergehäuse UVC 7 / 9 / 11 W	Water housing UVC 7 / 9 / 11 W

Produkt / Product

- 57371 Vitronic 18 W
- 57372 Vitronic 36 W
- 57373 Vitronic 55 W

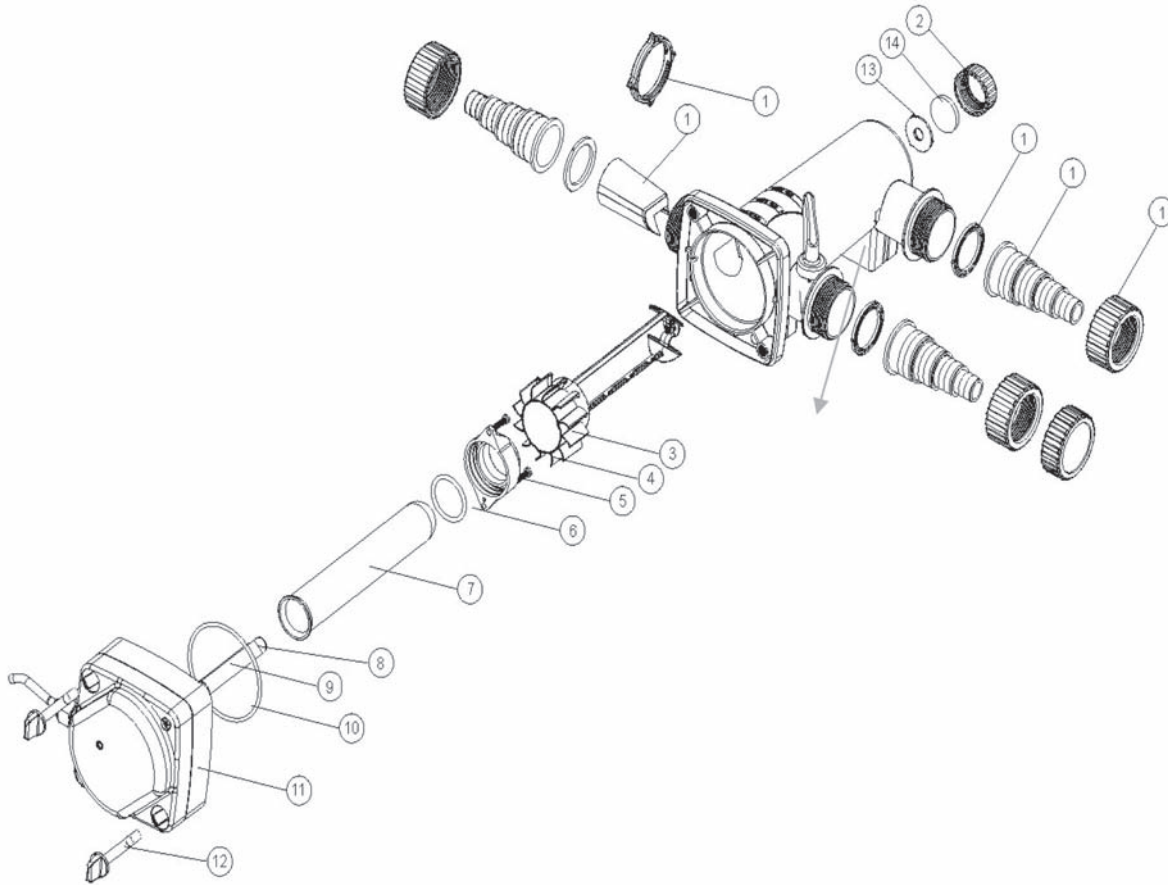


Pos.	Produkt / Product	Artikelnr. / Item no.	Ersatzteil	Spare part
1	Vitronic 18 W	35839	Ersatz Elektroeinheit Vitronic 18 W	Spare UVC electronics Vitronic 18 W
	Vitronic 36 W	35840	Ersatz Elektroeinheit Vitronic 36 W	Spare UVC electronics Vitronic 36 W
	Vitronic 55 W	35841	Ersatz Elektroeinheit Vitronic 55 W	Spare UVC electronics Vitronic 55 W
2	Vitronic 18 W	56236	Ersatzlampe UVC 18 W	Replacement bulb UVC 18 W
	Vitronic 36 W	55432	Ersatzlampe UVC 36 W	Replacement bulb UVC 36 W
	Vitronic 55 W	56636	Ersatzlampe UVC 55 W	Replacement bulb UVC 55 W
3	Vitronic 18 W	13329	Ersatz Quarzglas UVC 18 Vitronic 18 W	Spare quartz glass UVC 18 Vitronic 18
	Vitronic 36 W	13331	Ersatz Quarzglasrohr Vitronic 36 / 55	Spare quartz glass tube Vitronic 36 / 55
	Vitronic 55 W	13331	Ersatz Quarzglasrohr Vitronic 36 / 55	Spare quartz glass tube Vitronic 36 / 55
4	Vitronic 18 - 55 W	15748	Ersatz Klemmschrauben Set UVC 18/ 36/ 55	Spare part clip bolt set UVC 18/ 36/ 55
5	Vitronic 18 W	35796	BG Wassergehäuse Vitronic 18 W	ASM waterhousing Vitronic 18 W
	Vitronic 36 W	35797	BG Wassergehäuse Vitronic 36 / 55 W	ASM waterhousing Vitronic 36 / 55 W
	Vitronic 55 W	35797	BG Wassergehäuse Vitronic 36 / 55 W	ASM waterhousing Vitronic 36 / 55 W
6	Vitronic 18 - 55 W	35877	Beipack Vitronic neu	Additional pack Vitronic new
7	Vitronic 18 - 55 W	3555	O-Ring NBR 40 x 3 SH70 A	O-Ring NBR 40 x 3 SH70 A
8	Vitronic 18 - 55 W	29421	Schauglas Vitronic	Inspection glass Vitronic
9	Vitronic 18 - 55 W	20633	Überwurfmutter 1 1/2"	Coupling nut 1 1/2"

Produkt / Product

56360 Bitron C 9 W

56364 Bitron C 11 W

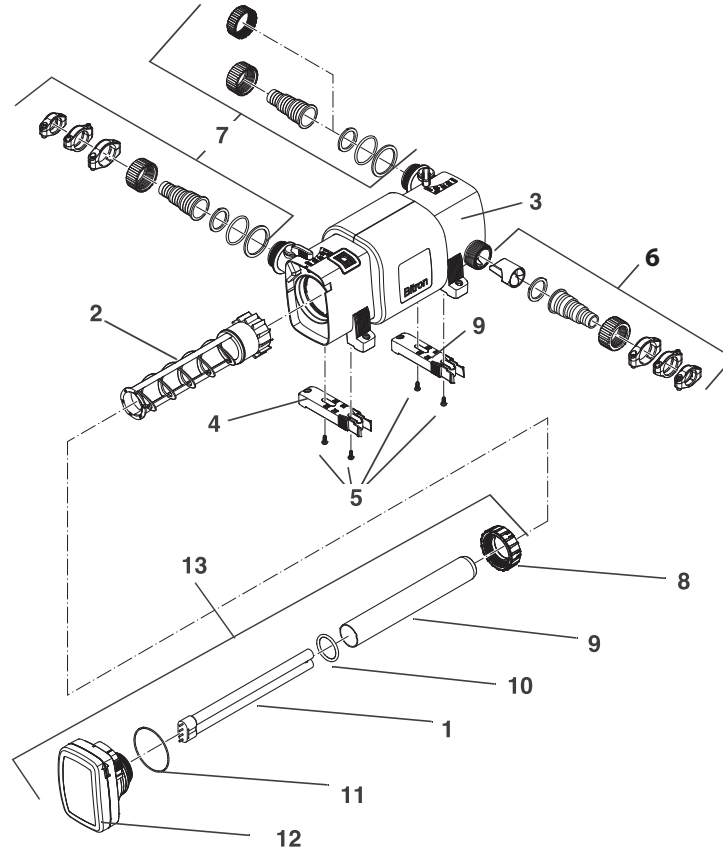


Pos.	Produkt / Product	Artikelnr. / Item no.	Ersatzteil	Spare part
1	Bitron C 9 - 11 W	34649	Beipack Bitron C 9 / 11	Additional pack Bitron C 9 / 11
2	Bitron C 9 - 11 W	25229	Muffe G1 POM saphirblau RAL5003	Bush G1 POM saphirblue RAL5003
3	Bitron C 9 - 11 W	34729	Ersatz Reinigungsrotor Bitron C 9 / 11	Spare cleaning rotor Bitron C 9 / 11
4	Bitron C 9 - 11 W	19472	Ejot-PT-Schraube 1412 KB 4,0 x 20 WN	Ejot-PT-screw 1412 KB 4.0 x 20 WN
5	Bitron C 9 - 11 W	34637	Dichtflansch UVC-Vorklärgerät	Sealing flange UVC-cleaner
6	Bitron C 9 - 11 W	19475	O-Ring Viton 32 x 4 SH70	O-Ring Viton 32 x 4 SH70
7	Bitron C 9 - 11 W	13312	Ersatz Quarzglas UVC 7 / 9 / 11 W	Spare quartz glass UVC 7 / 9 / 11 W
8	Bitron C 9 - 11 W	23871	O-Ring Viton 30 x 1 SH80 Lampenschutz	O-Ring Viton 30 x 1 SH80 lamp protection
9	Bitron C 9 W	54984	Ersatzlampe UVC 9 W	Replacement bulb UVC 9 W
	Bitron C 11 W	56112	Ersatzlampe UVC 11 W	Replacement bulb UVC 11 W
10	Bitron C 9 - 11 W	22623	O-Ring NBR 77,5 x 2,62 SH70	O-Ring NBR 77.5 x 2.62 SH70
11	Bitron C 9 W	34731	Ersatz UVC-Deckel kpl. Bitron C 9	Spare UVC-cover cpl. Bitron C 9
	Bitron C 11 W	34732	Ersatz UVC-Deckel kpl. Bitron C 11	Spare UVC-cover cpl. Bitron C 11
12	Bitron C 9 - 11 W	34646	Gehäuseschraube Bitron C 9/11 saphirblau	Housing screw Bitron C 9 / 11
13	Bitron C 9 - 11 W	25367	Flachdichtung Schauglas UVC-Vorklärer	Flat gasket control window UVC clarifier
14	Bitron C 9 - 11 W	25230	Schauglas D30 Bitron C 9 / 11	Inspection glass D30 Bitron C 9 / 11



Produkt / Product

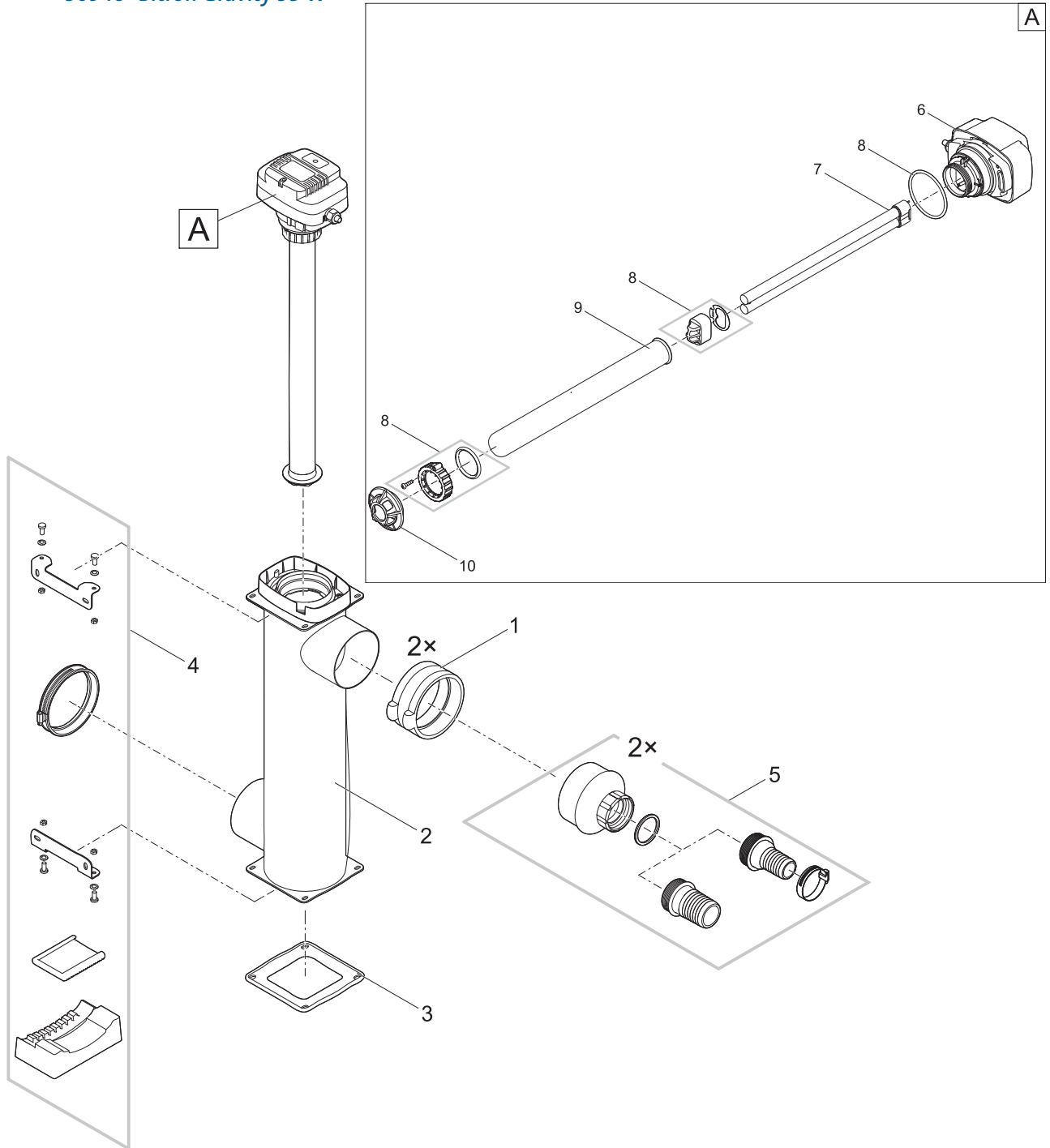
- 56356 Bitron C 18 W
- 56620 Bitron C 24 W
- 56368 Bitron C 36 W
- 56624 Bitron C 55 W
- 56901 Bitron C 72 W
- 56902 Bitron C 110 W



Pos.	Produkt / Product	Artikelnr. / Item no.	Ersatzteil	Spare part
1	Bitron C 18 W	56236	Ersatzlampe UVC 18 W	Replacement bulb UVC 18 W
	Bitron C 24 W	56237	Ersatzlampe UVC 24 W	Replacement bulb UVC 24 W
	Bitron C 36 W	55432	Ersatzlampe UVC 36 W	Replacement bulb UVC 36 W
	Bitron C 55 W	56636	Ersatzlampe UVC 55 W	Replacement bulb UVC 55 W
	Bitron C 72 W	2 x 55432	Ersatzlampe UVC 36 W	Replacement bulb UVC 36 W
	Bitron C 110 W	2 x 56636	Ersatzlampe UVC 55 W	Replacement bulb UVC 55 W
2	Bitron C 18 W	35068	Reinigungsrotor Bitron C 18 / 24	Cleaning impeller Bitron C 18 / 24
	Bitron C 24 W	35068	Reinigungsrotor Bitron C 18 / 24	Cleaning impeller Bitron C 18 / 24
	Bitron C 36 W	35069	Reinigungsrotor Bitron C 36 / 55	Cleaning impeller Bitron C 36 / 55
	Bitron C 55 W	35069	Reinigungsrotor Bitron C 36 / 55	Cleaning impeller Bitron C 36 / 55
	Bitron C 72 W	35327	Reinigungsrotor Bitron C 72 / 110	Cleaning impeller Bitron C 72 / 110
	Bitron C 110 W	35327	Reinigungsrotor Bitron C 72 / 110	Cleaning impeller Bitron C 72 / 110
3	Bitron C 18 W	35111	Ersatz Gehäuse Bitron C 18 / 24	Spare housing Bitron C 18 / 24
	Bitron C 24 W	35111	Ersatz Gehäuse Bitron C 18 / 24	Spare housing Bitron C 18 / 24
	Bitron C 36 W	35112	Ersatz Gehäuse Bitron C 36 / 55	Spare housing Bitron C 36 / 55
	Bitron C 55 W	35112	Ersatz Gehäuse Bitron C 36 / 55	Spare housing Bitron C 36 / 55
	Bitron C 72 W	35329	Ersatz Gehäuse Bitron C 72 / 110	Spare housing Bitron C 72 / 110
	Bitron C 110 W	35329	Ersatz Gehäuse Bitron C 72 / 110	Spare housing Bitron C 72 / 110

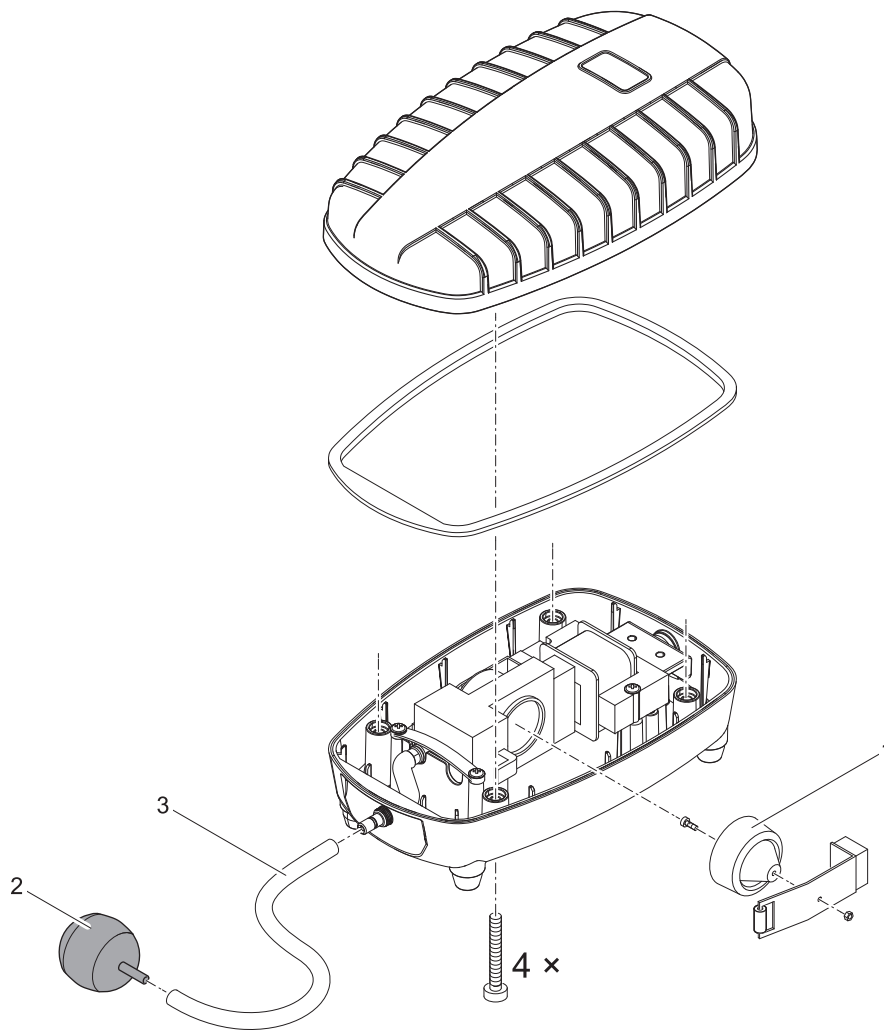
Pos.	Produkt / Product	Artikelnr. / Item no.	Ersatzteil	Spare part
4	Bitron C 18 W	35028	Fuß Bitron C 18 / 24 / 36 / 55	Foot Bitron C 18 / 24 / 36 / 55
	Bitron C 24 W	35028	Fuß Bitron C 18 / 24 / 36 / 55	Foot Bitron C 18 / 24 / 36 / 55
	Bitron C 36 W	35028	Fuß Bitron C 18 / 24 / 36 / 55	Foot Bitron C 18 / 24 / 36 / 55
	Bitron C 55 W	35028	Fuß Bitron C 18 / 24 / 36 / 55	Foot Bitron C 18 / 24 / 36 / 55
	Bitron C 72 W	35335	Fuß Bitron C 72 / 110	Foot Bitron C 72 / 110
	Bitron C 110 W	35335	Fuß Bitron C 72 / 110	Foot Bitron C 72 / 110
5	Bitron C 18 - 110 W	22853	Linsenschraube V2A DIN 7981 4,8 x 19	Oval head screw V2A DIN 7981 4.8 x 19
6	Bitron C 18 W	35090	Beipack Bitron C 18 / 24	Additional pack Bitron C 18 / 24
	Bitron C 24 W	35090	Beipack Bitron C 18 / 24	Additional pack Bitron C 18 / 24
	Bitron C 36 W	35091	Beipack Bitron C 36 / 55 / 72 / 110	Additional pack Bitron C 36/55/72/110
	Bitron C 55 W	35091	Beipack Bitron C 36 / 55 / 72 / 110	Additional pack Bitron C 36/55/72/110
	Bitron C 72 W	35091	Beipack Bitron C 36 / 55 / 72 / 110	Additional pack Bitron C 36/55/72/110
	Bitron C 110 W	35091	Beipack Bitron C 36 / 55 / 72 / 110	Additional pack Bitron C 36/55/72/110
7	Bitron C 18 - 110 W	35092	Beipack Bitron C 18-110	Additional pack Bitron C 18-110
8	Bitron C 18 W	35113	BG Klemmschraube Bitron C	ASM clamp screw Bitron C
	Bitron C 24 W	35113	BG Klemmschraube Bitron C	ASM clamp screw Bitron C
	Bitron C 36 W	35113	BG Klemmschraube Bitron C	ASM clamp screw Bitron C
	Bitron C 55 W	35113	BG Klemmschraube Bitron C	ASM clamp screw Bitron C
	Bitron C 72 W	35330	BG Klemmschraube Bitron C 72 / 110	ASM clamp screw Bitron C 72 / 110
	Bitron C 110 W	35330	BG Klemmschraube Bitron C 72 / 110	ASM clamp screw Bitron C 72 / 110
9	Bitron C 18 W	13325	Ersatz Quarzglas Bitron C 18 / 24	Spare quartz glass Bitron C 18 / 24
	Bitron C 24 W	13325	Ersatz Quarzglas Bitron C 18 / 24	Spare quartz glass Bitron C 18 / 24
	Bitron C 36 W	13326	Ersatz Quarzglas Bitron C 36 / 55	Spare quartz glass Bitron C 36 / 55
	Bitron C 55 W	13326	Ersatz Quarzglas Bitron C 36 / 55	Spare quartz glass Bitron C 36 / 55
	Bitron C 72 W	13327	Ersatz Quarzglas Bitron C 72 / 110	Spare quartz glass Bitron C 72 / 110
	Bitron C 110 W	13327	Ersatz Quarzglas Bitron C 72 / 110	Spare quartz glass Bitron C 72 / 110
10	Bitron C 18 W	26143	O-Ring Viton 42 x 5 SH50	O-Ring Viton 42 x 5 SH50
	Bitron C 24 W	26143	O-Ring Viton 42 x 5 SH50	O-Ring Viton 42 x 5 SH50
	Bitron C 36 W	26143	O-Ring Viton 42 x 5 SH50	O-Ring Viton 42 x 5 SH50
	Bitron C 55 W	26143	O-Ring Viton 42 x 5 SH50	O-Ring Viton 42 x 5 SH50
	Bitron C 72 W	27117	O-Ring Viton 65 x 6 SH50 A	O-Ring Viton 65 x 6 SH50 A
	Bitron C 110 W	27117	O-Ring Viton 65 x 6 SH50 A	O-Ring Viton 65 x 6 SH50 A
11	Bitron C 18 W	24850	O-Ring NBR 82 x 2 SH70	O-Ring NBR 82 x 2 SH70
	Bitron C 24 W	24850	O-Ring NBR 82 x 2 SH70	O-Ring NBR 82 x 2 SH70
	Bitron C 36 W	24850	O-Ring NBR 82 x 2 SH70	O-Ring NBR 82 x 2 SH70
	Bitron C 55 W	24850	O-Ring NBR 82 x 2 SH70	O-Ring NBR 82 x 2 SH70
	Bitron C 72 W	27148	O-Ring NBR 102 x 3 SH50 A	O-Ring NBR 102 x 3 SH50 A
	Bitron C 110 W	27148	O-Ring NBR 102 x 3 SH50 A	O-Ring NBR 102 x 3 SH50 A
12	Bitron C 18 W	35116	Ersatz UVC Elektronikeinheit Bitron C 18	Spare UVC electronic Bitron C 18
	Bitron C 24 W	35117	Ersatz UVC Elektronikeinheit Bitron C 24	Spare UVC electronic Bitron C 24
	Bitron C 36 W	35118	Ersatz UVC Elektronikeinheit Bitron C 36	Spare UVC electronic Bitron C 36
	Bitron C 55 W	35119	Ersatz UVC Elektronikeinheit Bitron C 55	Spare UVC electronic Bitron C 55
	Bitron C 72 W	35331	Ersatz UVC Elektronikeinheit Bitron C 72	Spare UVC electronic Bitron C 72
	Bitron C 110 W	35332	Ersatz UVC Elektronikeinheit Bitron C110	Spare UVC electronic Bitron C 110
13	Bitron C 18 W	35120	Ersatz UVC Kompletteinheit Bitron C 18	Spare UVC complete unit Bitron C 18
	Bitron C 24 W	35121	Ersatz UVC Kompletteinheit Bitron C 24	Spare UVC complete unit Bitron C 24
	Bitron C 36 W	35122	Ersatz UVC Kompletteinheit Bitron C 36	Spare UVC complete unit Bitron C 36
	Bitron C 55 W	35123	Ersatz UVC Kompletteinheit Bitron C 55	Spare UVC complete unit Bitron C 55
	Bitron C 72 W	35333	Ersatz UVC Kompletteinheit Bitron C 72	Spare UVC complete unit Bitron C 72
	Bitron C 110 W	35334	Ersatz UVC Kompletteinheit Bitron C 110	Spare UVC complete unit Bitron C 110

Produkt / Product  
50946 Bitron Gravity 55 W



Pos.	Produkt / Product	Artikelnr. / Item no.	Ersatzteil	Spare part
1	Bitron Gravity 55 W	18122	Kupplung 4" auf 4"	Coupling 4" to 4"
2	Bitron Gravity 55 W	18789	Ersatz Wassergehäuse Bitron Gravity	Spare water housing Bitron Gravity
3	Bitron Gravity 55 W	18656	Gummifuß Bitron Gravity	Rubber pad Bitron Gravity
4	Bitron Gravity 55 W	18107	Beipack Bitron Gravity	Additional pack Bitron Gravity
5	Bitron Gravity 55 W	18127	Anschlusskit Schlauch Bitron Gravity	Adapter kit hose Bitron Gravity
6	Bitron Gravity 55 W	17890	BG Lampenkopf Bitron 55	ASM lamp head Bitron 55
7	Bitron Gravity 55 W	56636	Ersatzlampe UVC 55 W	Replacement bulb UVC 55 W
8	Bitron Gravity 55 W	16031	Ersatz Klemmschraubenset FiltoClear36/55	Spare part clamp bolt set FiltoClear36/55
9	Bitron Gravity 55 W	13331	Ersatz Quarzglasrohr Vitronic 36 / 55	Spare quartz glass tube Vitronic 36 / 55
10	Bitron Gravity 55 W	17889	Transportschutz Bitron	Transport protection Bitron

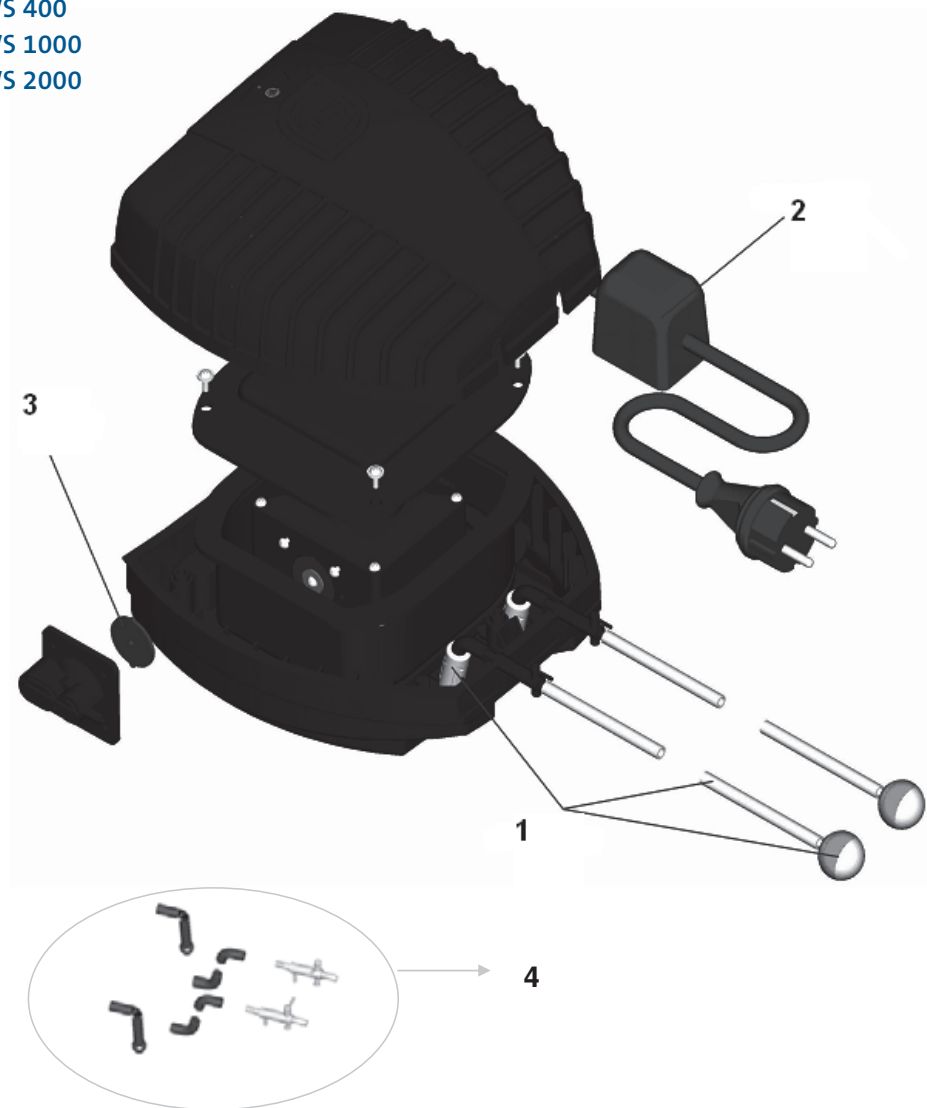
Produkt / Product  
50532 AquaOxy 240



Pos.	Produkt / Product	Artikelnr. / Item no.	Ersatzteil	Spare part
1	AquaOxy 240	14044	Membran AquaOxy 240	Membrane AquaOxy 240
2	AquaOxy 240	15257	Sprudelstein 50 mm AquaOxy 240	Air stone 50 mm AquaOxy 240
3	AquaOxy 240	15253	Luftschlauch 10 m AquaOxy 240	Air hose 10 m AquaOxy 240

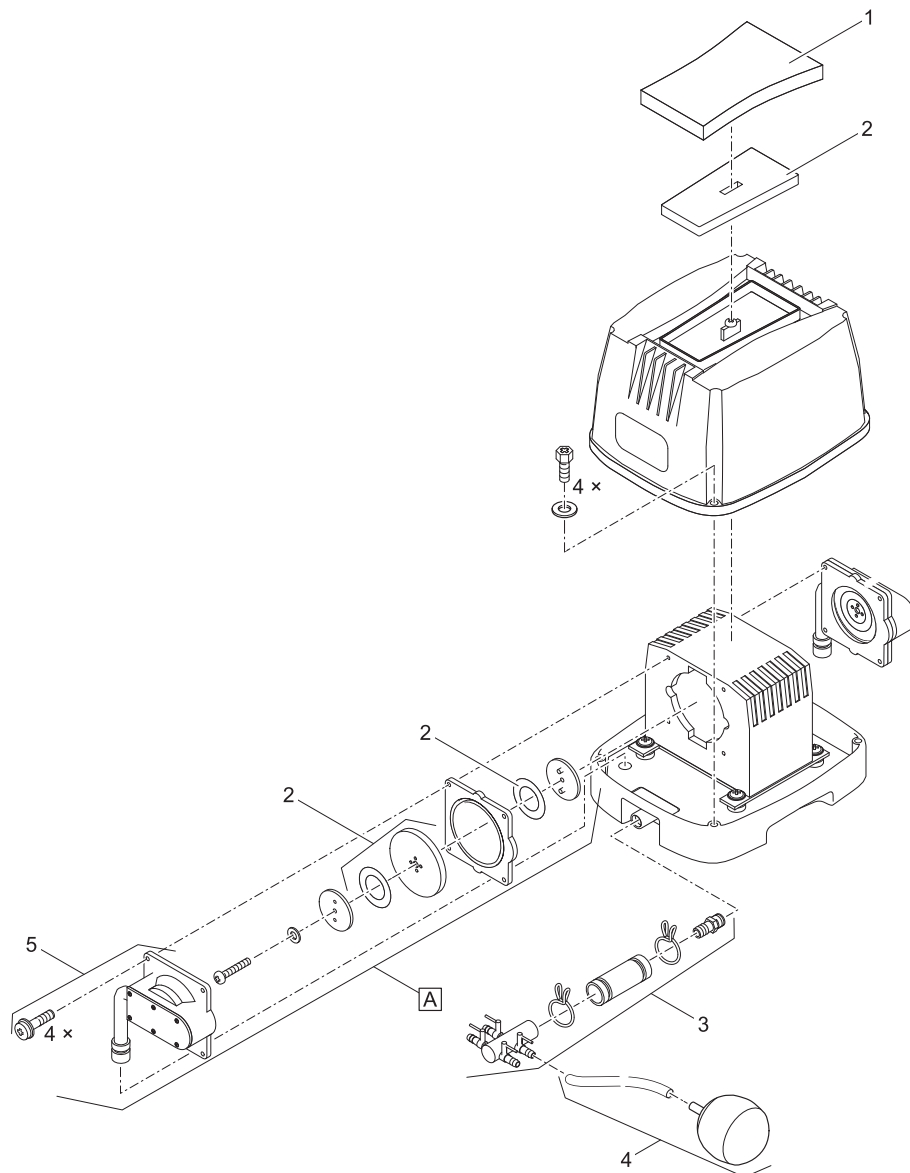
Produkt / Product

- 56387 AquaOxy 400
- 50464 AquaOxy CWS 400
- 37125 AquaOxy CWS 1000
- 57350 AquaOxy CWS 2000



Pos.	Produkt / Product	Artikelnr. / Item no.	Ersatzteil	Spare part
1	AquaOxy 400	36900	Ersatz Schlauch-Set AquaOxy 400	Spare hose set AquaOxy 400
	AquaOxy CWS 400	36900	Ersatz Schlauch-Set AquaOxy 400	Spare hose set AquaOxy 400
	AquaOxy CWS 1000	29246	Ersatz Schlauch-Set AquaOxy 1000-4800	Spare hose set AquaOxy 1000-4800
	AquaOxy CWS 2000	29246	Ersatz Schlauch-Set AquaOxy 1000-4800	Spare hose set AquaOxy 1000-4800
2	AquaOxy 400	27346	Ersatz Netztrafo 12 V AquaOxy 400 / 1000	Spare transformer 12 V AquaOxy 400/1000
	AquaOxy CWS 400	27346	Ersatz Netztrafo 12 V AquaOxy 400 / 1000	Spare transformer 12 V AquaOxy 400/1000
	AquaOxy CWS 1000	27346	Ersatz Netztrafo 12 V AquaOxy 400 / 1000	Spare transformer 12 V AquaOxy 400/1000
	AquaOxy CWS 2000	29069	Trafo AquaOxy 2000	Transformer AquaOxy 2000
3	AquaOxy 400	25537	Ersatz Membran AquaOxy 400	Spare part membrane AquaOxy 400
	AquaOxy CWS 400	25537	Ersatz Membran AquaOxy 400	Spare part membrane AquaOxy 400
	AquaOxy CWS 1000	27347	Ersatz Membran AquaOxy 1000	Spare part membrane AquaOxy 1000
	AquaOxy CWS 2000	29311	Ersatz Membran AquaOxy 2000	Spare part membrane AquaOxy 2000
4	AquaOxy 400	28013	Ersatz Ventil-Set AquaOxy 400	Spare valve set AquaOxy 400
	AquaOxy CWS 400	28013	Ersatz Ventil-Set AquaOxy 400	Spare valve set AquaOxy 400
	AquaOxy CWS 1000	29245	Ersatz Ventil-Set AquaOxy 1000-2000	Spare valve set AquaOxy 1000-2000
	AquaOxy CWS 2000	29245	Ersatz Ventil-Set AquaOxy 1000-2000	Spare valve set AquaOxy 1000-2000

Produkt / Product  
50398 AquaOxy CWS 4800

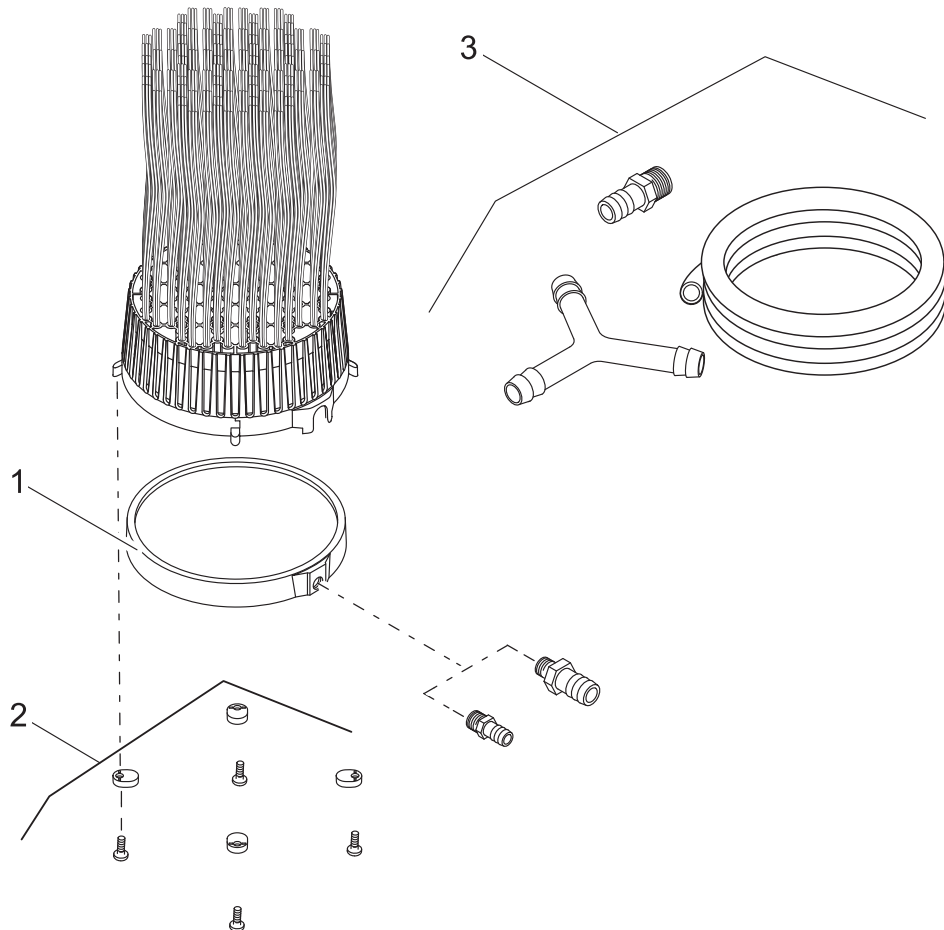


Pos.	Produkt / Product	Artikelnr. / Item no.	Ersatzteil	Spare part
1	AquaOxy CWS 4800	14165	Gehäusedeckel verp. AquaOxy 4800	Housing cover packaged AquaOxy 4800
2	AquaOxy CWS 4800	14164	Membran Set AquaOxy 4800	Membrane Set AquaOxy 4800
3	AquaOxy CWS 4800	14166	Luftverteiler Set AquaOxy 4800	Air distributor set AquaOxy 4800
4	AquaOxy CWS 4800	29246	Ersatz Schlauch-Set AquaOxy 1000-4800	Spare hose set AquaOxy 1000-4800
5	AquaOxy CWS 4800	14163	Ventilset AquaOxy 4800	Valve set AquaOxy 4800

Produkt / Product

50443 OxyTex CWS 400

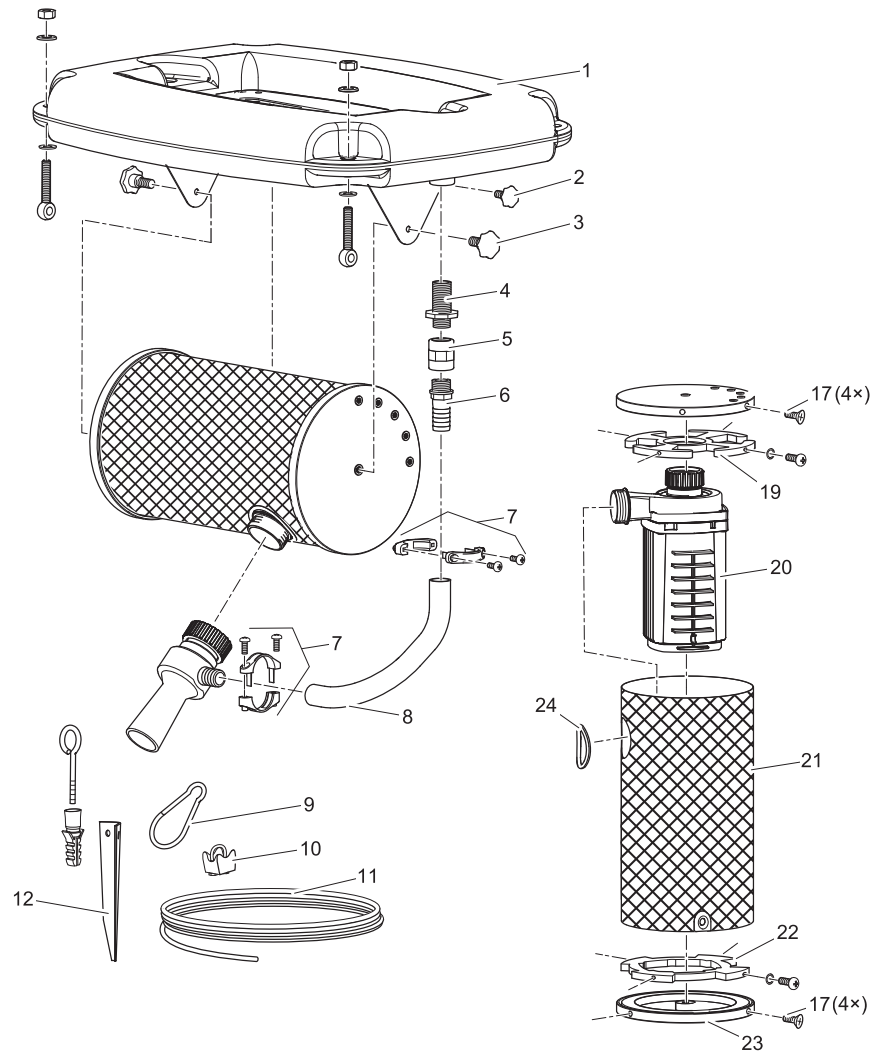
50290 OxyTex CWS 1000



Pos.	Produkt / Product	Artikelnr. / Item no.	Ersatzteil	Spare part
1	OxyTex CWS 400	14915	BG Sprudelstein OxyTex 400	ASM air stone OxyTex 400
	OxyTex CWS 1000	12257	Sprudelstein OxyTex 1000	Air stone OxyTex 1000
2	OxyTex CWS 400 - 1000	12680	BG Fuß OxyTex	ASM feet OxyTex
3	OxyTex CWS 400 - 1000	12681	BG OxyTex Y-Verteiler / Luftschauch	ASM OxyTex Y-distributor / air hose

Produkt / Product

57479 AquaAir 250



Pos.	Produkt / Product	Artikelnr. / Item no.	Ersatzteil	Spare part
1	AquaAir 250	29786	Schwimmkörper 18 l	Float 18 l
2	AquaAir 250	30089	Griffschraube M6 x 20	Handle srew M6 x 20
3	AquaAir 250	30088	Griffschraube M8 x 20	Handle srew M8 x 20
4	AquaAir 250	30086	Durchführung 3/4" inkl. Mutter	Bushing 3/4" incl. nut
5	AquaAir 250	30094	Doppelmuffe IG 3/4"	Double bush IG 3/4"
6	AquaAir 250	30090	Tülle 3/4"	Hose adapter 3/4"
7	AquaAir 250	28653	Schlauchschellen-Stufen-Kit 1"	Hose clamp Set 1"
8	AquaAir 250	30 x 52733	Gewebeslauch schwarz 1", 30 m	Fabric hose black 1", 30 m
9	AquaAir 250	16941	Edelstahl-Karabinerhaken 60 x 6	Stainless steel carabiner 60 x 6
10	AquaAir 250	30117	Edelstahl-Schraubklemme 3 mm	Stainless steel screw clamp 3 mm
11	AquaAir 250	30119	Drahtseil VA 3 mm x 20 m	Wire robe stainless steel 3 mm x 20 m
12	AquaAir 250	30128	Befestigungsdorn 450	Fastener 450
17	AquaAir 250	8 x 27589	Senkschraube V2A DIN 7982 4,8 x 19	Counter sunk screw V2A DIN 7982 4.8 x 19
19	AquaAir 250	35895	Saugmundhalter AquaAir 250	Pump housing holder AquaAir 250
20	AquaAir 250	35909	BG AquaMax Expert 30000	ASM AquaMax Expert 30000 30 m cord
21	AquaAir 250	35892	Trommel Lochblech bearb.	Drum perforated sheet
22	AquaAir 250	35894	Motorhalter	Motor holder
23	AquaAir 250	29979	Abschlussdeckel	Outer lid
24	AquaAir 250	29900	Gummiring ID66	Rubber ring ID66

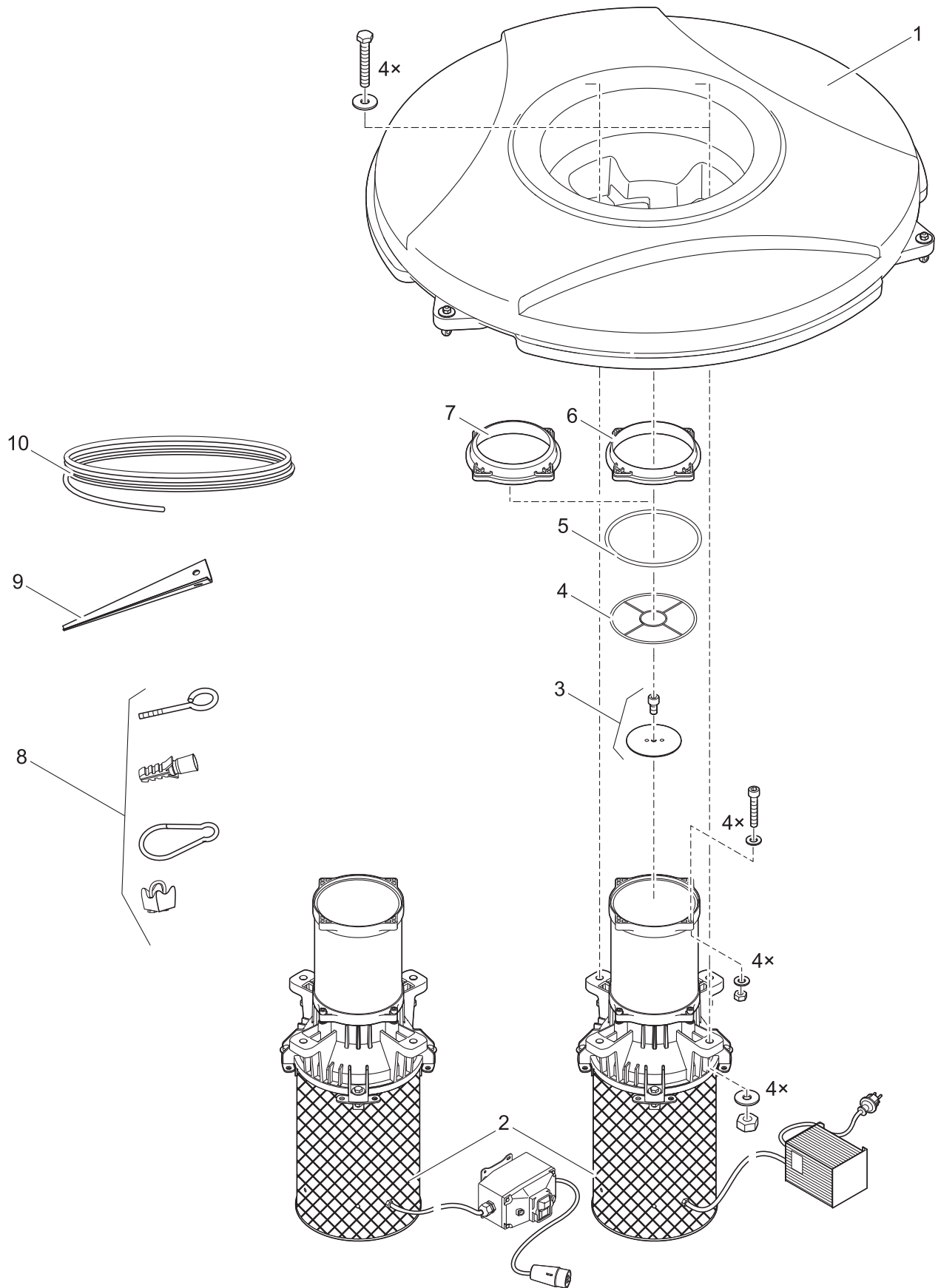


Produkt / Product

50183 AirFlo 1,5 kW / 230 V

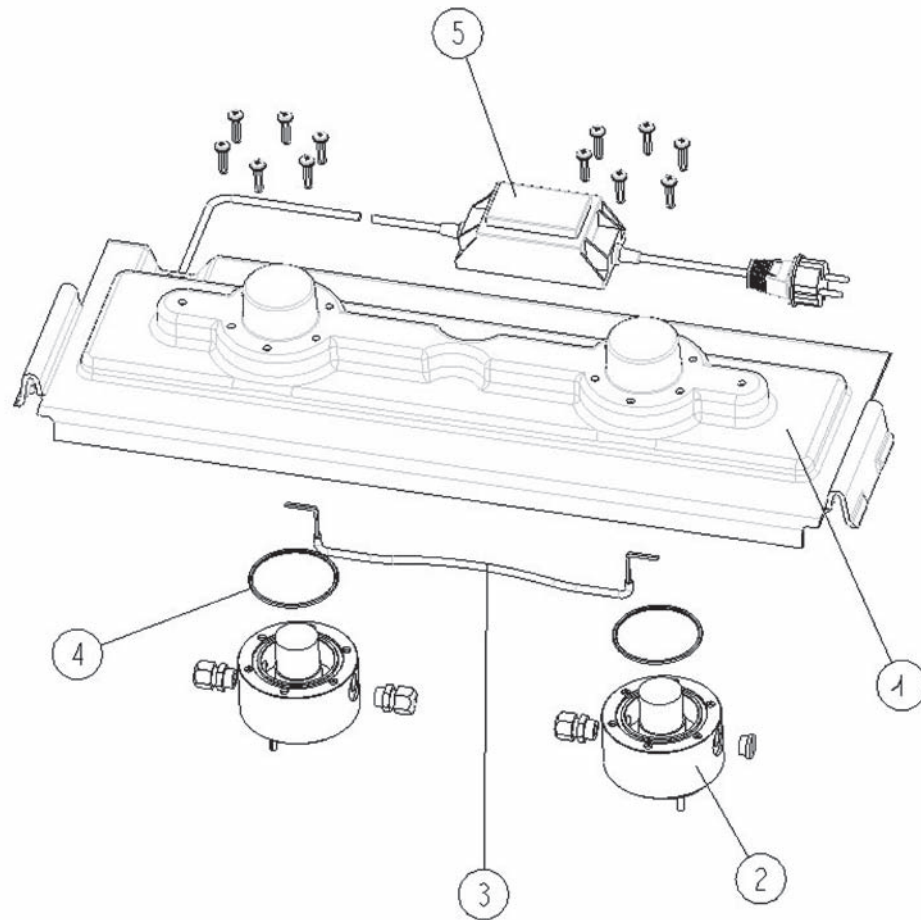
50184 AirFlo 1,5 kW / 400 V

50185 AirFlo 4,0 kW / 400 V



Pos.	Produkt / Product	Artikelnr. / Item no.	Ersatzteil	Spare part
1	AirFlo 1,5 kW / 230 V	10862	Schwimmer 90 l	Float 90 l
	AirFlo 1,5 kW / 400 V	10862	Schwimmer 90 l	Float 90 l
	AirFlo 4,0 kW / 400 V	10579	Schwimmer 135 l	Float 135 l
2	AirFlo 1,5 kW / 230 V	11515	BG Motorsektion AirFlo 1,5 kW / 400 V	ASM motorsection AirFlo 1.5 kW / 400 V
	AirFlo 1,5 kW / 400 V	11517	BG Motorsektion AirFlo 1,5 kW / 230 V	ASM motorsection AirFlo 1.5 kW / 230 V
	AirFlo 4,0 kW / 400 V	11516	BG Motorsektion AirFlo 4,0 kW / 400 V	ASM motorsection AirFlo 4.0 kW / 400 V
3	AirFlo 1,5 kW / 230 V	11193	Scheibe AirFlo 110 mm	Disc AirFlo 110 mm
	AirFlo 1,5 kW / 400 V	11193	Scheibe AirFlo 110 mm	Disc AirFlo 110 mm
	AirFlo 4,0 kW / 400 V	11807	Scheibe AirFlo 90 mm	Disc AirFlo 90 mm
4	AirFlo 1,5 kW / 230 V - 4,0 kW / 400 V	11131	Schutzgitter Steigrohr	Protective grating riser pipe
5	AirFlo 1,5 kW / 230 V - 4,0 kW / 400 V	11805	O-Ring NBR 155 x 2,5 SH70	O-Ring NBR 155 x 2.5 SH70
6	AirFlo 1,5 kW / 230 V	10350	Düse D138	Nozzle D138
	AirFlo 1,5 kW / 400 V	10350	Düse D138	Nozzle D138
	AirFlo 4,0 kW / 400 V	11188	Düse D150	Nozzle D150
7	AirFlo 1,5 kW / 230 V	11494	Düse D120	Nozzle D120
	AirFlo 1,5 kW / 400 V	11494	Düse D120	Nozzle D120
	AirFlo 4,0 kW / 400 V	10350	Düse D138	Nozzle D138
8	AirFlo 1,5 kW / 230 V - 4,0 kW / 400 V	11414	Beipack Kleinteile LM 3P	Additional pack small parts LM 3P
9	AirFlo 1,5 kW / 230 V - 4,0 kW / 400 V	30128	Befestigungsdorn 450	Fastener 450
10	AirFlo 1,5 kW / 230 V - 4,0 kW / 400 V	11203	Drahtseil VA 3 mm x 30 m	Wire robe stainless steel 3 mm x 30 m

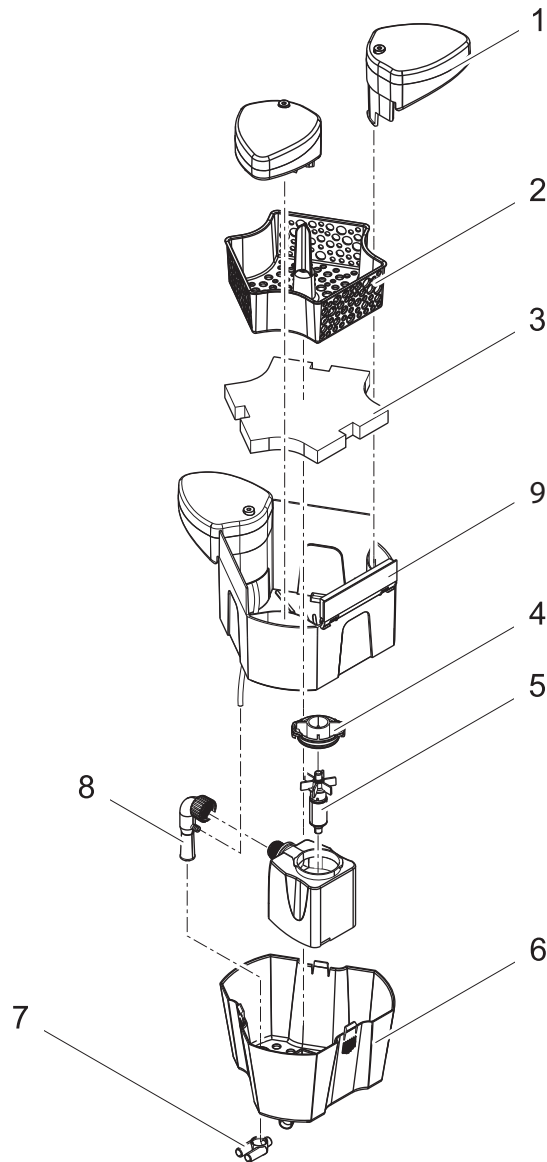
Produkt / Product  
57094 ProfiClear Screendrive



Pos.	Produkt / Product	Artikelnr. / Item no.	Ersatzteil	Spare part
1	ProfiClear Screendrive	27731	Abdeckung Reinigungsautomatik	Cover plate
2	ProfiClear Screendrive	35458	Ersatz Motorbaustein kpl.	Assembly motor cpl.
3	ProfiClear Screendrive	27792	Anschlussleitung H05RN-F 2 x 1mm <sup>2</sup> 0,5 m	Cable H05RN-F 2 x 1.0mm <sup>2</sup> / 0.5 m
4	ProfiClear Screendrive	16250	O-Ring NBR 65 x 3 SH70	O-Ring NBR 65 x 3 SH70
5	ProfiClear Screendrive	35445	BG Zeitschalteinheit	ASM timer

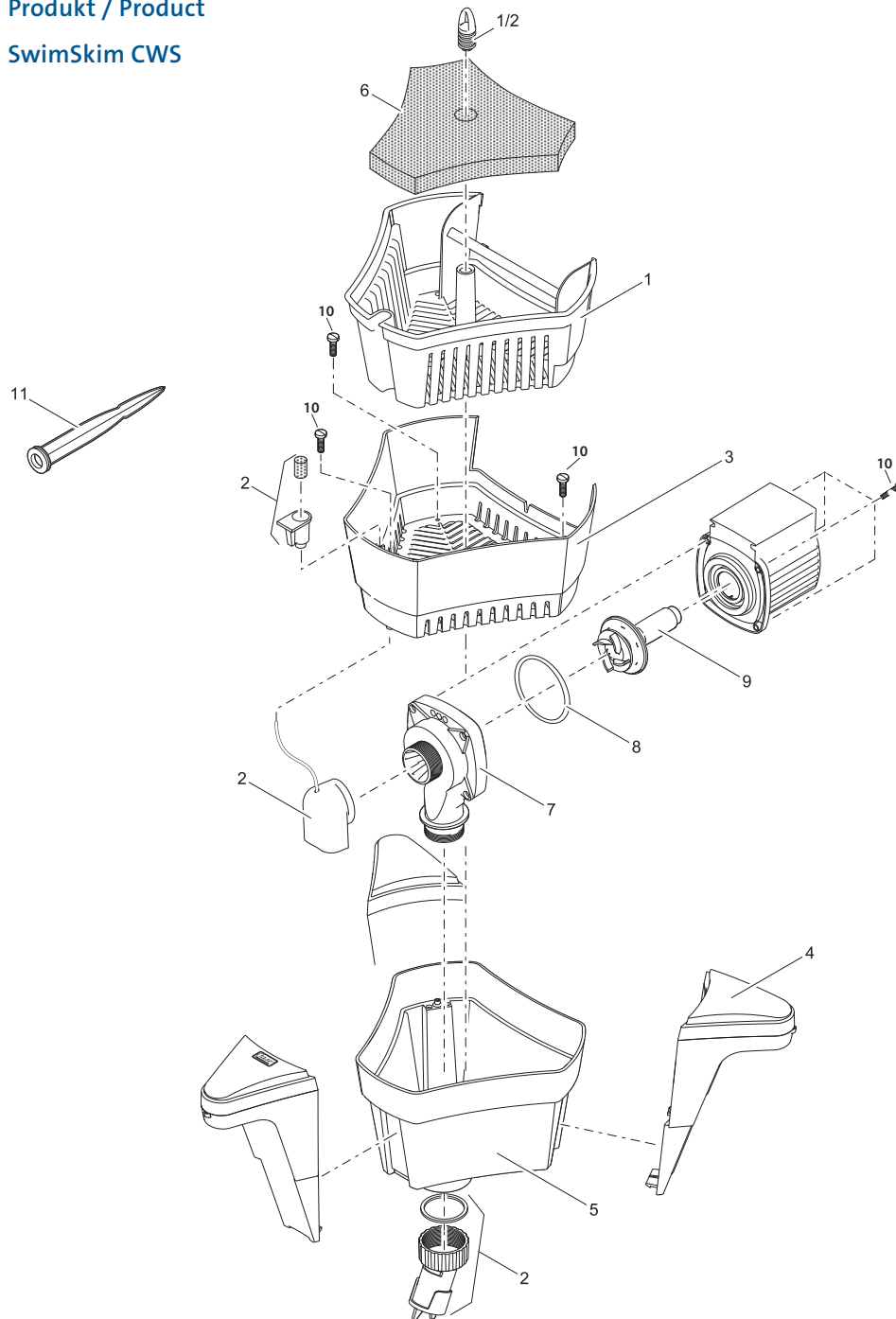
Produkt / Product

57384 SwimSkim 25



Pos.	Produkt / Product	Artikelnr. / Item no.	Ersatzteil	Spare part
1	SwimSkim 25	29613	Schwimmer kpl. SwimSkim 25	Float cpl. SwimSkim 25
2	SwimSkim 25	29165	Filterkorb SwimSkim 25	Filter basket SwimSkim 25
3	SwimSkim 25	29445	Schaum SwimSkim 25	Foam SwimSkim 25
4	SwimSkim 25	35770	BG Pumpengehäuse ASE 2500	ASM pump housing ASE 2500
5	SwimSkim 25	35755	Ersatzrotor Pumpe 2500 ASE	Spare rotor pump 2500 ASE
6	SwimSkim 25	29179	Pumpenkammer SwimSkim 25	Pump chamber SwimSkim 25
7	SwimSkim 25	29458	Luftverteiler SwimSkim 25	Air distributor SwimSkim 25
8	SwimSkim 25	35747	BG Injektor SwimSkim 25	ASM injektor SwimSkim 25
9	SwimSkim 25	15656	Ersatz Skimmerklappe SwimSkim 25	Spare part skimmer flap SwimSkim 25

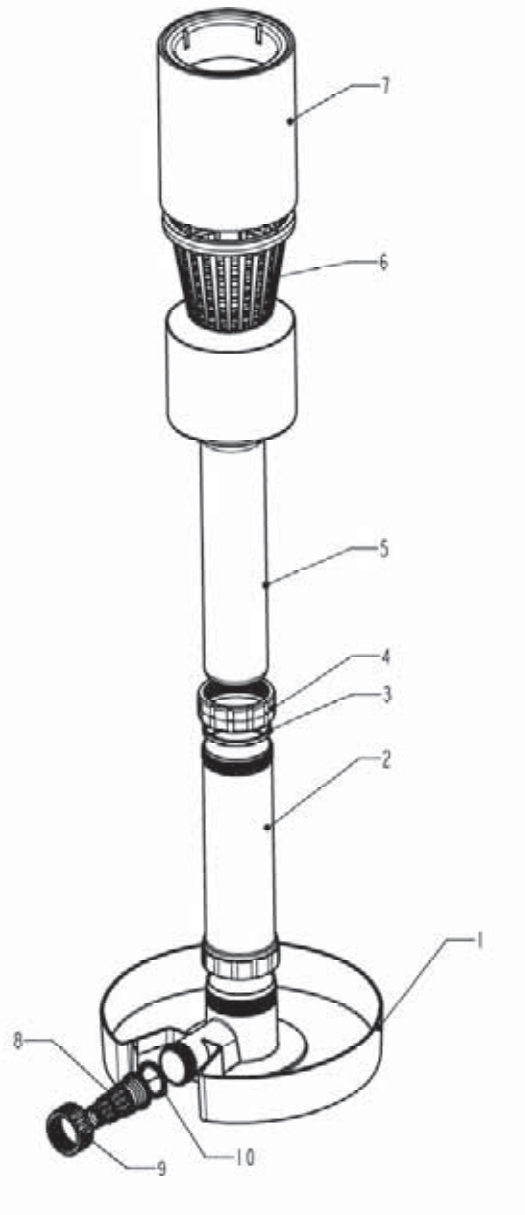
Produkt / Product  
50170 SwimSkim CWS



Pos.	Produkt / Product	Artikelnr. / Item no.	Ersatzteil	Spare part
1	SwimSkim CWS	12497	BG Korb SwimSkim CWS	ASM basket SwimSkim CWS
2	SwimSkim CWS	12499	Ersatz Beipack SwimSkim CWS	Spare part additional pack SwimSkim CWS
3	SwimSkim CWS	12021	Behälter SwimSkim CWS	Filter box SwimSkim CWS
4	SwimSkim CWS	11466	Schwimmer geschweißte SwimSkim CWS	Float welded SwimSkim CWS
5	SwimSkim CWS	11328	Pumpenkammer SwimSkim CWS	Pump chamber SwimSkim CWS
6	SwimSkim CWS	12433	Schaum SwimSkim CWS	Foam SwimSkim CWS
7	SwimSkim CWS	11825	Ersatz Pumpengehäuse AquaMax 3500-5500	Spare pump housing AquaMax 3500-5500
8	SwimSkim CWS	25969	O-Ring NBR 60 x 2,5 SH70 A	O-Ring NBR 60 x 2.5 SH70 A
9	SwimSkim CWS	11654	Ersatzrotor AquaMax Eco 3500	Spare rotor AquaMax Eco 3500
10	SwimSkim CWS	6055	Linsenschraube V2A DIN 7985 M5 x 20 H	Oval head screw V2A DIN 7985 M5 x 20 H
11	SwimSkim CWS	20284	Erdspieß	Spike

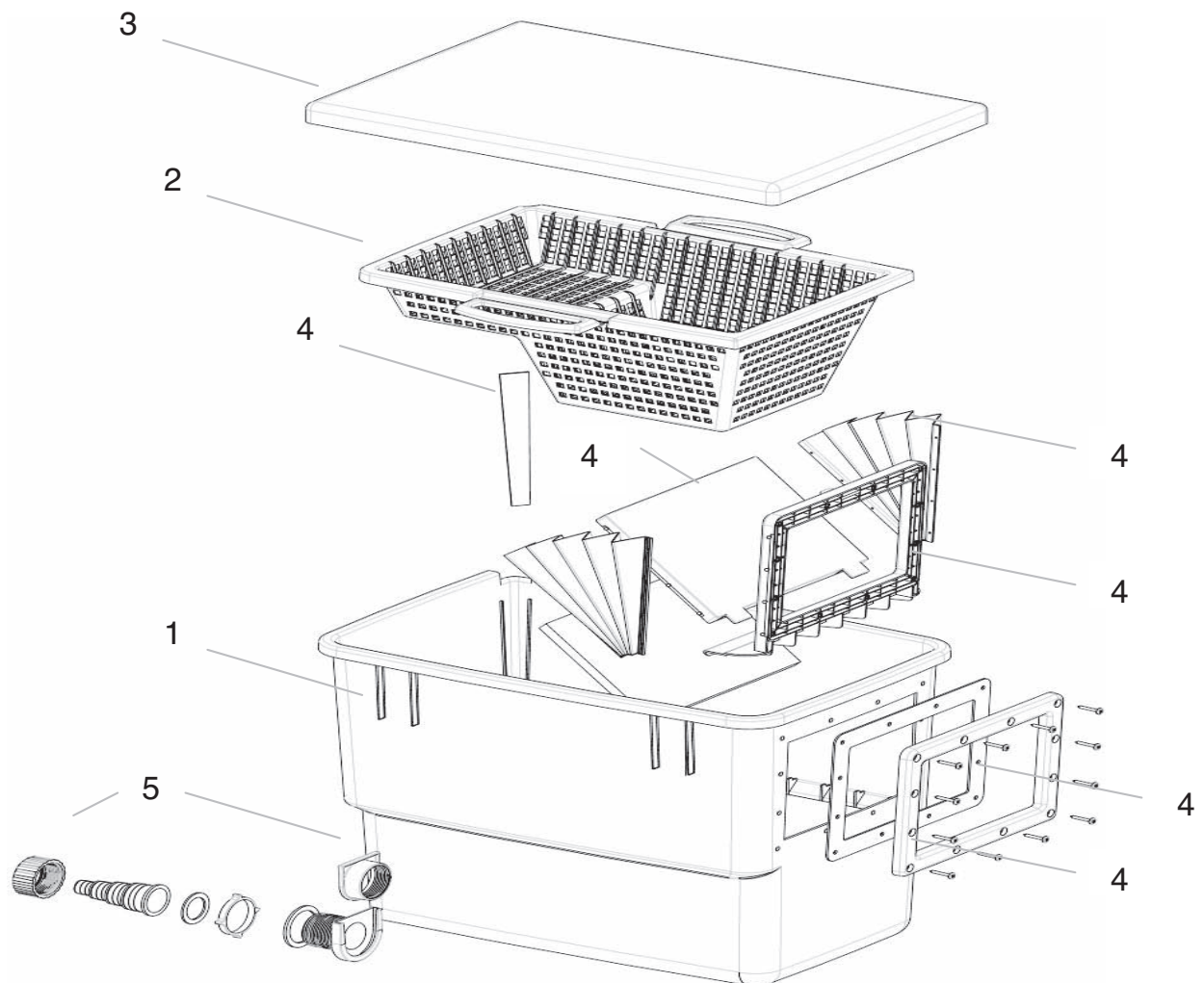
Produkt / Product

56907 AquaSkim 40



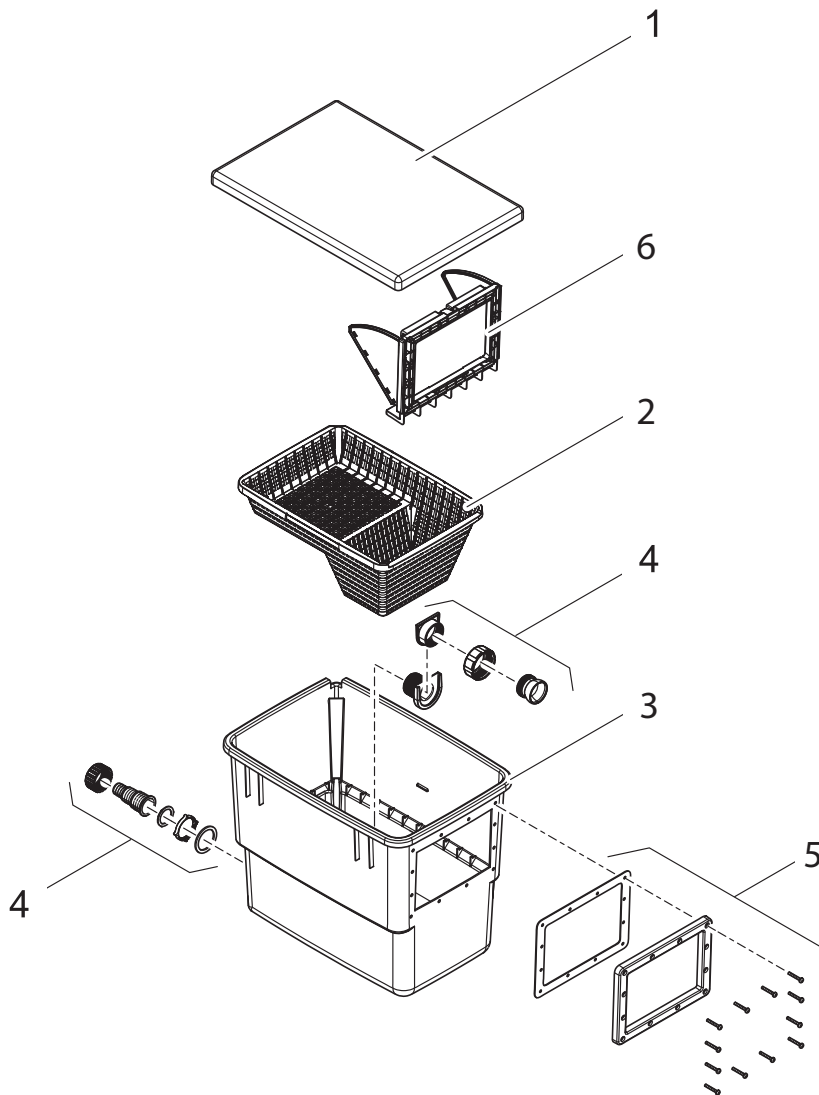
Pos.	Produkt / Product	Artikelnr. / Item no.	Ersatzteil	Spare part
1	AquaSkim 40	27027	Sockel AquaSkim 40	Base AquaSkim 40
2	AquaSkim 40	35262	Unterteil AquaSkim 40	Bottom part AquaSkim 40
3	AquaSkim 40	26737	Klemmdichtung AquaSkim 40	Clamp gasket AquaSkim 40
4	AquaSkim 40	35264	Überwurfmutter 3"	Coupling nut 3"
5	AquaSkim 40	35263	Oberteil AquaSkim 40	Top AquaSkim 40
6	AquaSkim 40	33285	Filterkorb AquaSkim 40	Filter basket AquaSkim 40
7	AquaSkim 40	33284	Schwimmring AquaSkim 40	Float ring AquaSkim 40
8	AquaSkim 40	25218	Stufenschlauchtülle 1 1/2" schwarz	Stepped hose tail 1 1/2" black
9	AquaSkim 40	20633	Überwurfmutter 1 1/2"	Coupling nut 1 1/2"
10	AquaSkim 40	19491	Flachdichtung Tülle 1 1/2"	Flat gasket hose tail 1 1/2"

Produkt / Product  
55420 BioSys Skimmer



Pos.	Produkt / Product	Artikelnr. / Item no.	Ersatzteil	Spare part
1	BioSys Skimmer	23791	Behälter BioSys Skimmer	Filter box BioSys Skimmer
2	BioSys Skimmer	23884	Schmutzkorb BioSys Skimmer	Debris collection basket BioSys Skimmer
3	BioSys Skimmer	23883	Dekordeckel BioSys Skimmer	Decor cover BioSys Skimmer
4	BioSys Skimmer	34133	Beipack Anschluss Kit BioSys Skimmer	Add. pack kit BioSys Skimmer
5	BioSys Skimmer	34290	Beipack Pumpenanschluss Skimmer	Additional pack pump connection Skimmer

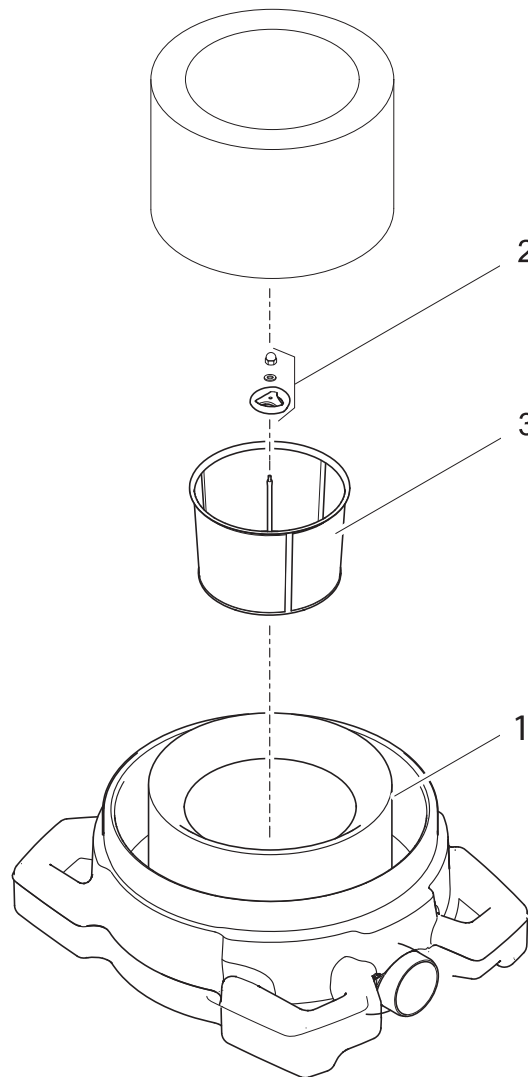
Produkt / Product  
57137 BioSys Skimmer +



Pos.	Produkt / Product	Artikelnr. / Item no.	Ersatzteil	Spare part
1	BioSys Skimmer +	23883	Dekordeckel BioSys Skimmer	Decor cover BioSys Skimmer
2	BioSys Skimmer +	27696	Schmutzkorb BioSys Skimmer 2"	Debris collection basket BioSys Skim. 2"
3	BioSys Skimmer +	23791	Behälter BioSys Skimmer	Filter box BioSys Skimmer
4	BioSys Skimmer +	35505	Pumpenanschluss BioSys Skimmer +	Pump connection BioSys Skimmer +
5	BioSys Skimmer +	28613	BG Außenrahmen	ASM outer frame
6	BioSys Skimmer +	28353	BG Klappe Skimmer	ASM flap Skimmer



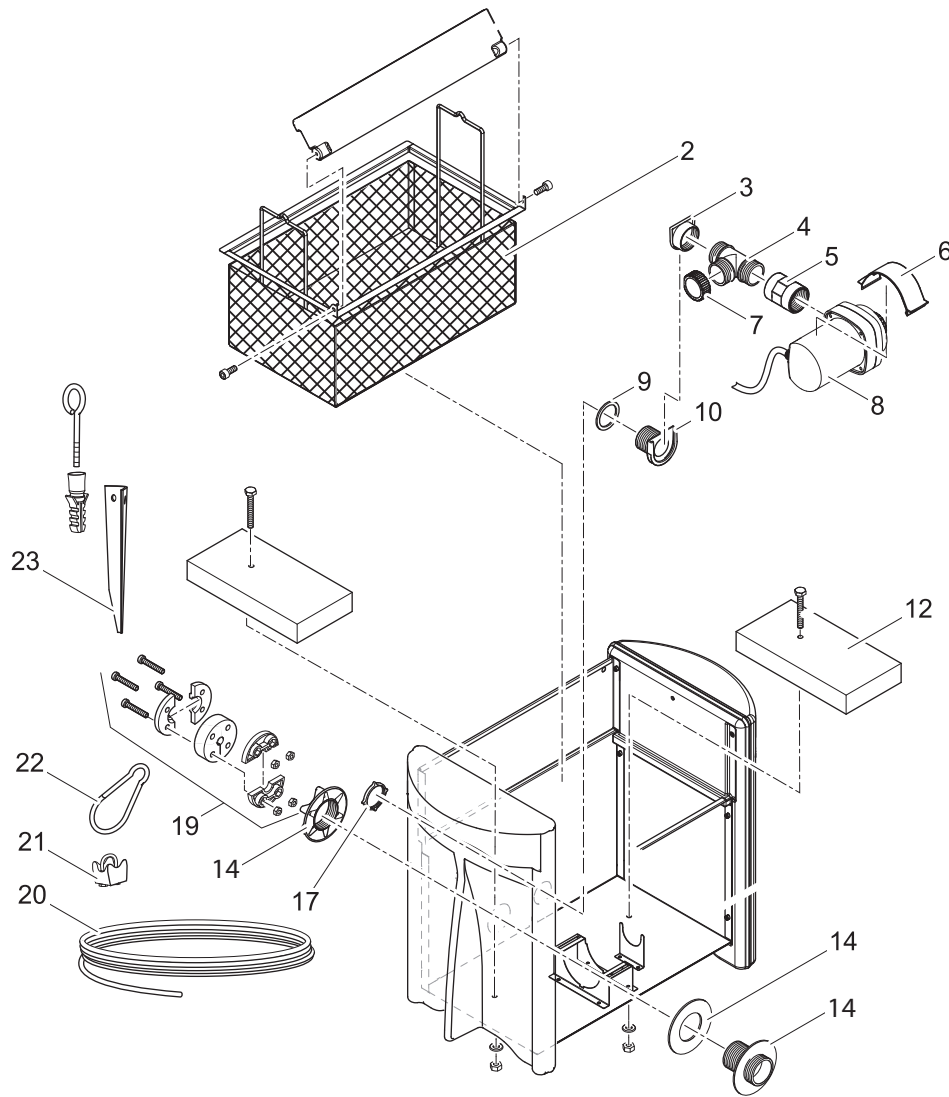
Produkt / Product  
57134 ProfiSkim 100



Pos.	Produkt / Product	Artikelnr. / Item no.	Ersatzteil	Spare part
1	ProfiSkim 100	27844	Sockel ProfiSkim 100	Base ProfiSkim 100
2	ProfiSkim 100	28037	Griff Sieb ProfiSkim 100	Handle sieve ProfiSkim 100
3	ProfiSkim 100	28036	Edelstahlsieb ProfiSkim 100	Stainless steel sieve ProfiSkim 100

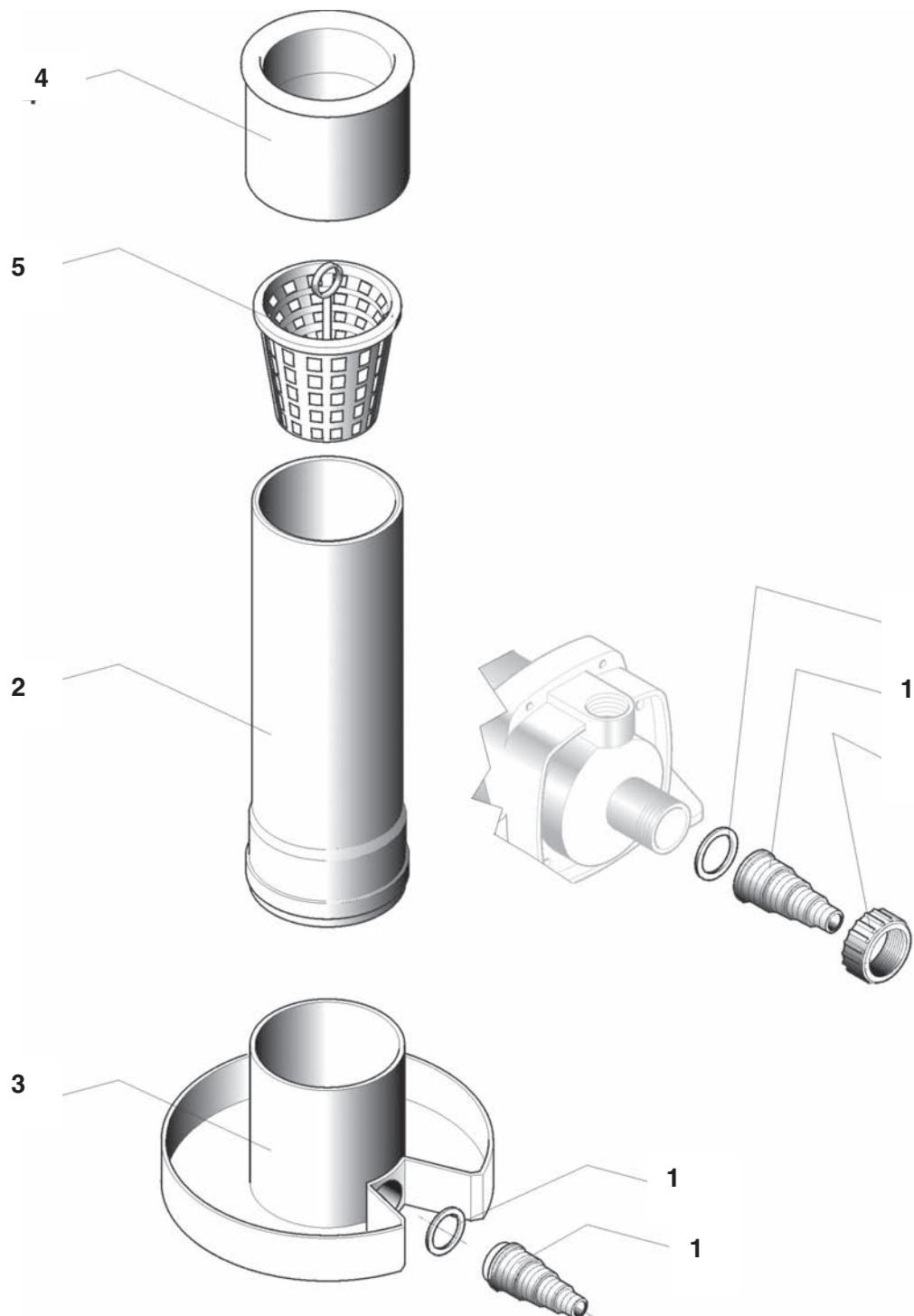
Produkt / Product

57480 Skimmer 250



Pos.	Produkt / Product	Artikelnr. / Item no.	Ersatzteil	Spare part
2	Skimmer 250	29958	Korb Skimmer 250 LM	Basket Skimmer 250 LM
3	Skimmer 250	34201	Druckstück Skimmer	Pressure piece Skimmer
4	Skimmer 250	34705	BG Absperrschieber	ASM gate valve
5	Skimmer 250	10060	Doppelmuffe IG 1 1/2"	Double bush IG 1 1/2"
6	Skimmer 250	34812	Spannklammer Motorgehäuse KU	Clamp clip motor housing plastic
7	Skimmer 250	24554	Verschlusskappe 1 1/2" FiltoCl./Skimmer	Clothing cap 1 1/2" FiltoClear/Skimmer
8	Skimmer 250	20824	BG AquaMax 15000 neu unv.	ASM AquaMax 15000 new
9	Skimmer 250	19506	Flachdichtung NBR 60 x 47 x 3 SH40	Flat gasket NBR 60 x 47 x 3 SH40
10	Skimmer 250	34200	Pumpenanschluss Skimmer	Pump connection Skimmer
12	Skimmer 250	21490	Betonplatte 300 x 150 x 45 mm	Concrete slab 300 x 150 x 45 mm
14	Skimmer 250	27643	BG Durchführung kpl.	ASM grommet cpl.
17	Skimmer 250	33348	Mutter G 1 1/2	Nut G 1 1/2
19	Skimmer 250	57154	Tradux	Tradux
20	Skimmer 250	30119	Drahtseil VA 3 mm x 20 m	Wire robe stainless steel 3 mm x 20 m
21	Skimmer 250	30117	Edelstahl-Schraubklemme 3 mm	Stainless steel screw clamp 3 mm
22	Skimmer 250	16941	Edelstahl-Karabinerhaken 60 x 6	Stainless steel carabiner 60 x 6
23	Skimmer 250	30128	Befestigungsdorn 450	Fastener 450

Produkt / Product  
54992 Skimmer



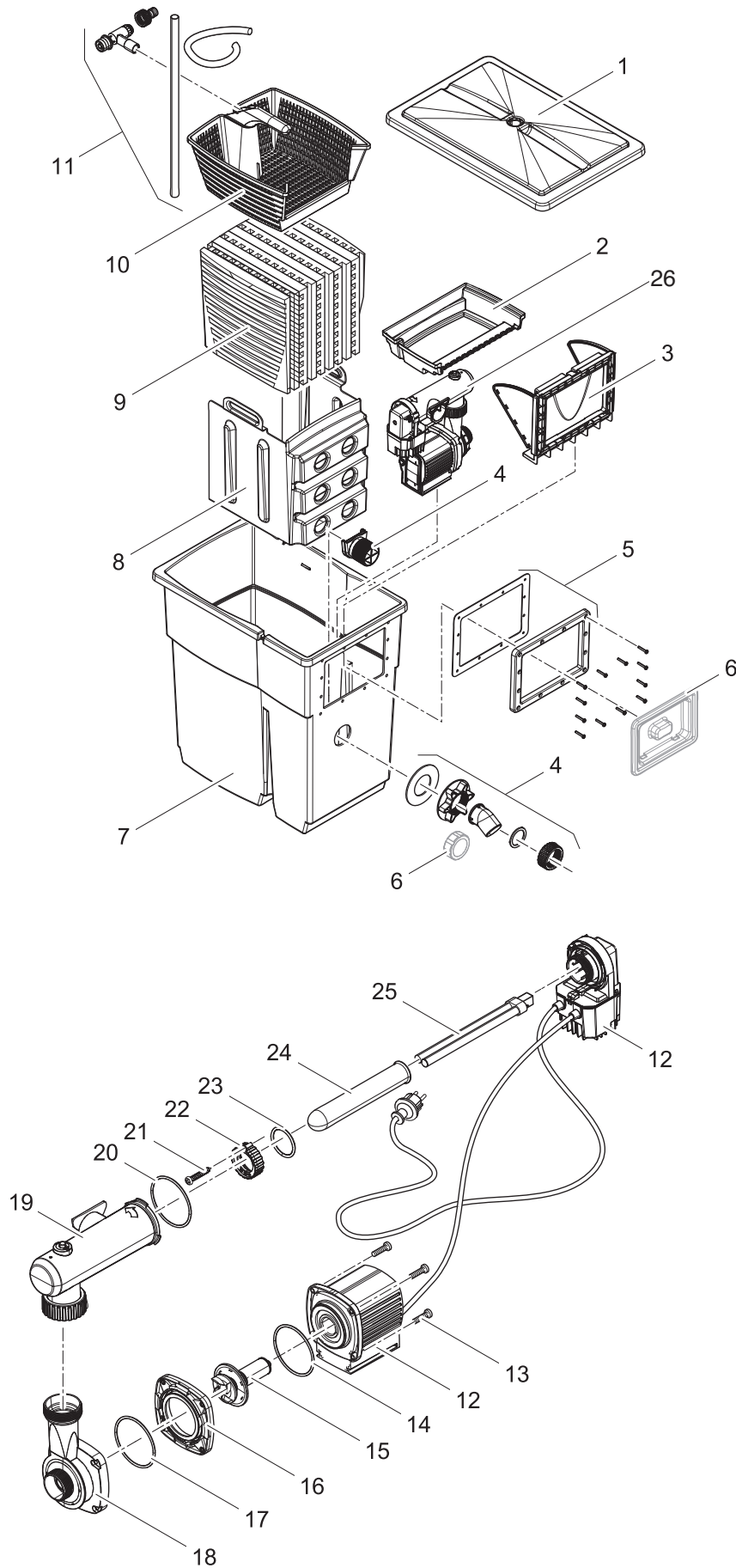
Pos.	Produkt / Product	Artikelnr. / Item no.	Ersatzteil	Spare part
1	Skimmer	33596	Beipack Skimmer	Additional pack Skimmer
2	Skimmer	22391	PVC-Rohr DN 150 schwarz 500 mm mit Muffe	PVC tube DN150 black 500 mm with bush
3	Skimmer	33283	Sockel Skimmer	Base Skimmer
4	Skimmer	33284	Schwimmring AquaSkim 40	Float ring AquaSkim 40
5	Skimmer	33285	Filterkorb AquaSkim 40	Filter basket AquaSkim 40

Produkt / Product

57135 FiltoSkim 12000

REINIGEN & PFLEGEN / CLEANING & CARE

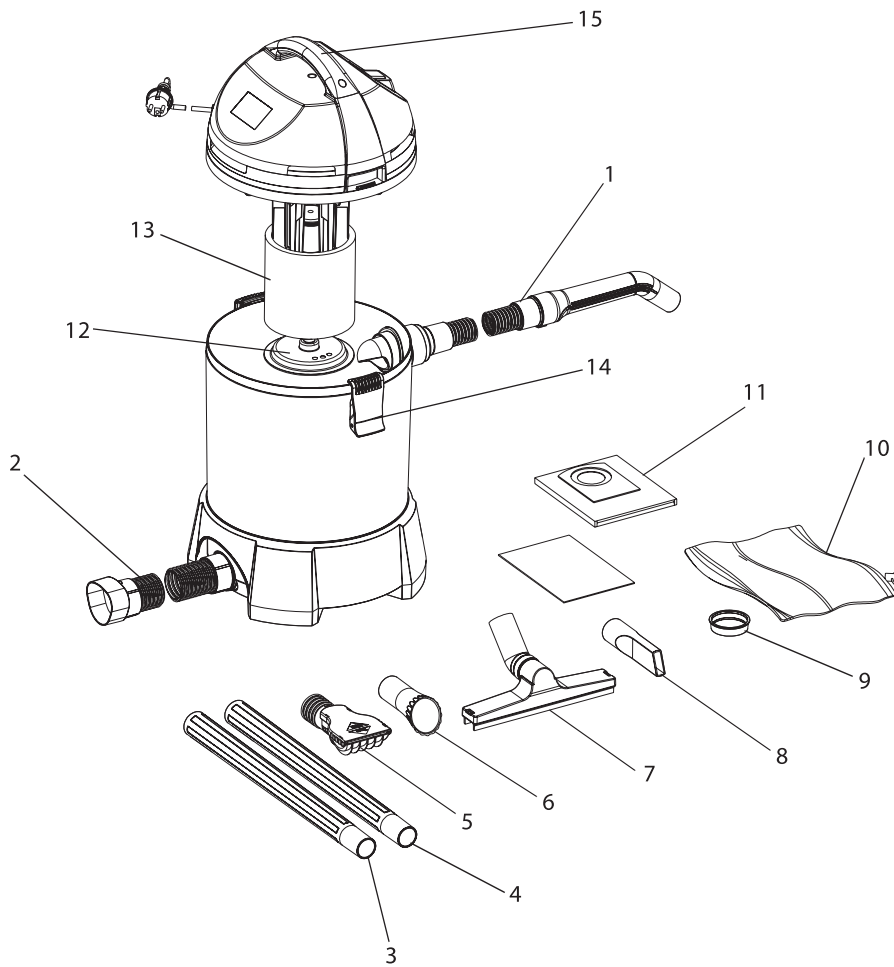
OBERFLÄCHENABSÄUGER / SURFACE SKIMMERS



Pos.	Produkt / Product	Artikelnr. / Item no.	Ersatzteil	Spare part
1	FiltoSkim 12000	28339	Deckel FiltoSkim	Cover FiltoSkim
2	FiltoSkim 12000	28344	Abdeckung FiltoSkim	Cover FiltoSkim
3	FiltoSkim 12000	28353	BG Klappe Skimmer	ASM flap Skimmer
4	FiltoSkim 12000	35621	Anschlussset FiltoSkim	Connector set FiltoSkim
5	FiltoSkim 12000	28613	BG Außenrahmen	ASM outer frame
6	FiltoSkim 12000	35620	Ersatz Winterset FiltoSkim	Spare winter set FiltoSkim
7	FiltoSkim 12000	28338	Behälter FiltoSkim	Filter box FiltoSkim
8	FiltoSkim 12000	28340	Zwischenwand FiltoSkim	Separation wall FiltoSkim
9	FiltoSkim 12000	35628	BG Filterschaum	ASM filterfoam
10	FiltoSkim 12000	35619	BG Filterkorb FiltoSkim	ASM filter FiltoSkim
11	FiltoSkim 12000	35529	BG Injektor FiltoSkim	ASM injektor FiltoSkim
12	FiltoSkim 12000	35622	Ers. elektr. Einheit Pumpe/UVC FiltoSkim	Spare part elektronik assembly FiltoSkim
13	FiltoSkim 12000	6055	Linsenschraube V2A DIN 7985 M5 x 20 H	Oval head screw V2A DIN 7985 M5 x 20 H
14	FiltoSkim 12000	28539	O-Ring NBR 78 x 4,3 SH70	O-Ring NBR 78 x 4.3 SH70
15	FiltoSkim 12000	35634	Ersatzrotor kpl. FiltoSkim	Spare rotor cpl. FiltoSkim
16	FiltoSkim 12000	35468	BG Zwischengehäuse EC1 vormontiert	ASM inside housing EC1 pre-assembled
17	FiltoSkim 12000	3635	O-Ring SI 76 x 4 SH50 rot/BR.	O-Ring SI 76 x 4 SH50 red/BR.
18	FiltoSkim 12000	35093	BG Pumpengehäuse frostsicher 2-1 D22	ASM pump housing anti-freeze 2-1 D22
19	FiltoSkim 12000	35646	BG Wassergehäuse	ASM waterhousing
20	FiltoSkim 12000	28553	O-Ring NBR 61,6 x 2,62 SH70 A	O-Ring NBR 61.6 x 2.62 SH70 A
21	FiltoSkim 12000	27891	Linsenschraube V2A DIN 7981 3,5 x 22	Oval head screw V2A DIN 7981 3.5 x 22
22	FiltoSkim 12000	12049	Klemmschraube FiltoMatic / Filtral 11 W	Clamp screw FiltoMatic / Filtral 11 W
23	FiltoSkim 12000	19475	O-Ring Viton 32 x 4 SH70	O-Ring Viton 32 x 4 SH70
24	FiltoSkim 12000	13312	Ersatz Quarzglas UVC 7 / 9 / 11 W	Spare quartz glass UVC 7 / 9 / 11 W
25	FiltoSkim 12000	56112	Ersatzlampe UVC 11 W	Replacement bulb UVC 11 W
26	FiltoSkim 12000	35677	BG Pumpe + UVC FiltoSkim kpl.	ASM pump + UVC FiltoSkim cpl.

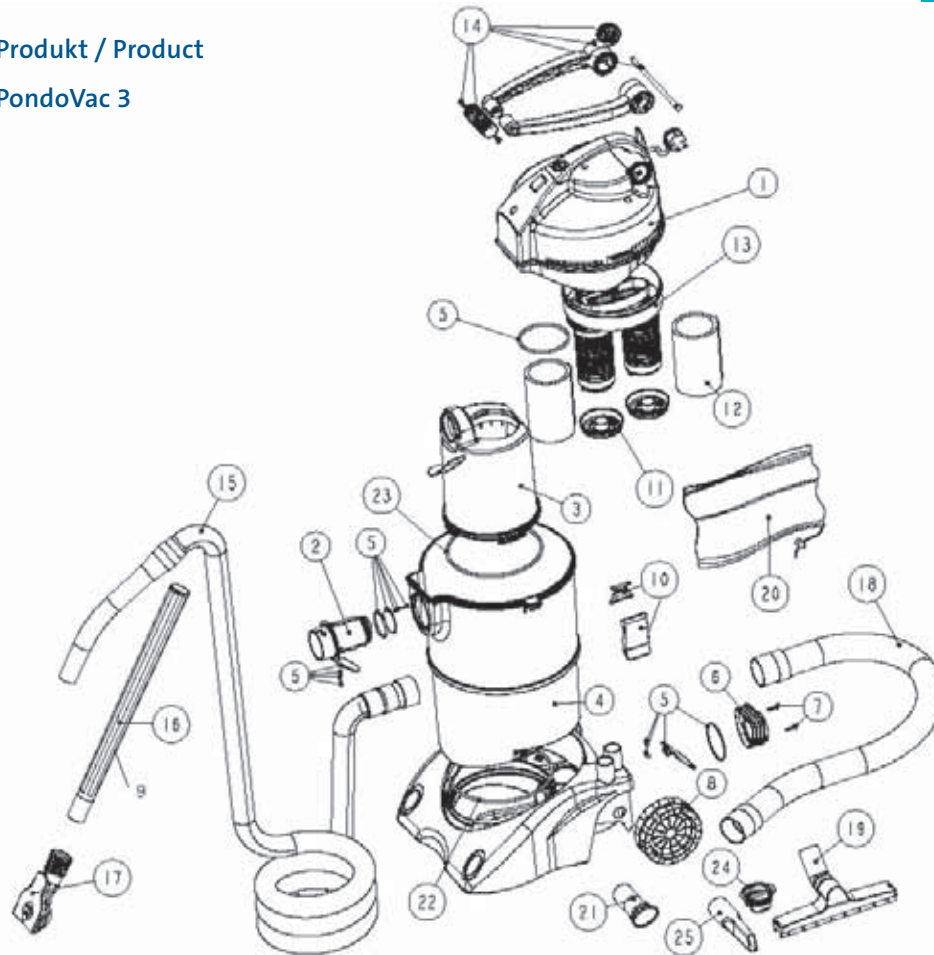
Produkt / Product

50529 PondoVac Classic



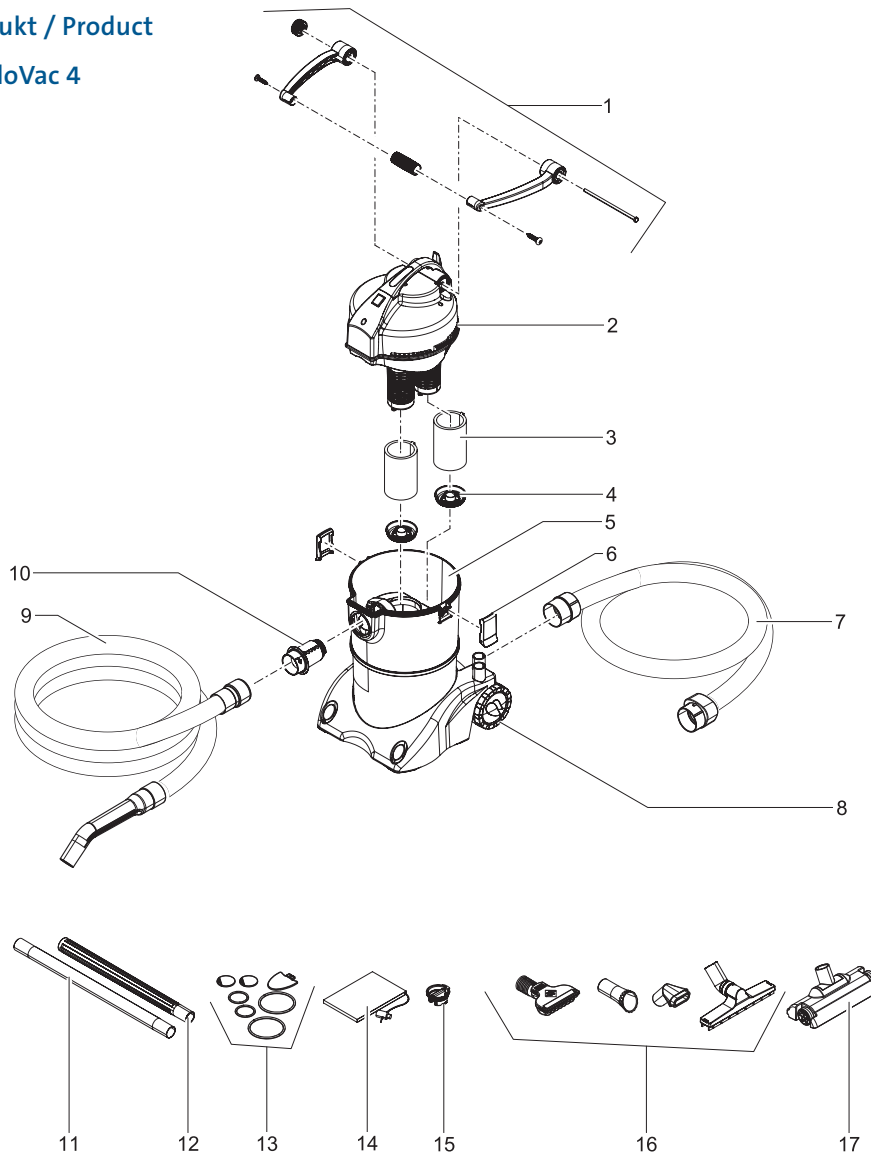
Pos.	Produkt / Product	Artikelnr. / Item no.	Ersatzteil	Spare part
1	PondoVac Classic	27989	Saugschlauch kpl. ID30 mm x 4 m / 57 mm	Inlet hose assembly ID30mm x 4 m / 57 mm
2	PondoVac Classic	27990	Auslaßschlauch kpl. ID46mm x 2 m / 57 mm	Outlet hose assembly ID46 x 2 m / 57 mm
3	PondoVac Classic	27303	Saugrohr 500 mm schwarz	Suction pipe 500 mm black
4	PondoVac Classic	27546	Saugrohr 500 mm transparent	Suction pipe 500 mm clear
5	PondoVac Classic	33480	Bodendüse PondoVac blau	Ground nozzle PondoVac blue
6	PondoVac Classic	25389	Fadenalgendüse	String algae nozzle
7	PondoVac Classic	27158	Nasssaugdüse	Wet suction nozzle
8	PondoVac Classic	27157	Fugendüse	Crevice nozzle
9	PondoVac Classic	23833	Verschlussstopfen PondoVac GPN 600 B 570	Plug ID 57mm PondoVac
10	PondoVac Classic	28053	Schlammuffangbeutel klein	Sludge collecting bag smal
11	PondoVac Classic	27832	Filtertüte	Filter bag
12	PondoVac Classic	27834	Rastplatte 140 mm	Engage plate 140 mm
13	PondoVac Classic	27741	Filterschaum 120 mm	Filter foam 120 mm
14	PondoVac Classic	14947	BG Klammer blau PondoVac Classic	ASM clamp blue PondoVac Classic
15	PondoVac Classic	28062	Ersatz Handgriff PondoVac Classic	Spare part handle PondoVac Classic

Produkt / Product  
37102 PondoVac 3



Pos.	Produkt / Product	Artikelnr. / Item no.	Ersatzteil	Spare part
1	PondoVac 3	27182	Motorkopf PondoVac 3	Motor section PondoVac 3
2	PondoVac 3	27248	BG Einlassverteiler schwarz	ASM inlet distributor black
3	PondoVac 3	26720	Innenkappe PondoVac 3	Inner cape PondoVac 3
4	PondoVac 3	35399	Ersatz Behälter kpl.	Spare part tank cpl.
5	PondoVac 3	35398	Ersatz Set Gummiteile	Spare set rubber parts
6	PondoVac 3	26809	Adapter Auslass	Adapter outlet
7	PondoVac 3	25000	Linsenschraube V2A DIN 7981 4,8 x 22	Oval head screw V2A DIN 7981 4.8 x 22
8	PondoVac 3	26876	Rad PondoVac 3	Wheel PondoVac 3
9	PondoVac 3	27546	Saugrohr 500 mm transparent	Suction pipe 500 mm clear
10	PondoVac 3	29464	BG Klammer PondoVac 3 + 4	ASM clamp PondoVac 3 + 4
11	PondoVac 3	27183	Rastplatte	Engage plate
12	PondoVac 3	26760	Filterschaum PPI 45Å PondoVac 3 + 4	Filter foam PPI 45Å PondoVac 3 + 4
13	PondoVac 3	26738	Ventileinheit PondoVac kpl.	Valve section assembly PondoVac cpl.
14	PondoVac 3	13911	Ersatz Bügelgriff m. Schraube, grau	Spare part adjustable handle, grey
15	PondoVac 3	28879	Saugschlauchgarnitur 38 mm x 5 m	Inlet hose set 38 mm x 5 m
16	PondoVac 3	27303	Saugrohr 500 mm schwarz	Suction pipe 500 mm black
17	PondoVac 3	33480	Bodendüse PondoVac blau	Ground nozzle PondoVac blue
18	PondoVac 3	14102	Ablaufschlauch ID57 mm geklebt	Outlet hose ID57 mm assembly
19	PondoVac 3	27158	Nasssaugdüse	Wet suction nozzle
20	PondoVac 3	27756	Schmutzfangbeutel	Dirt bag
21	PondoVac 3	25389	Fadenalgendüse	String algae nozzle
22	PondoVac 3	26815	O-Ring NBR 200 x 5 SH70	O-Ring NBR 200 x 5 SH70
23	PondoVac 3	26812	O-Ring NBR 184 x 5 SH70	O-Ring NBR 184 x 5 SH70
24	PondoVac 3	23833	Verschlussstopfen PondoVac GPN 600 B 570	Plug ID 57mm PondoVac
25	PondoVac 3	27157	Fugendüse	Crevice nozzle

Produkt / Product  
50388 PondoVac 4



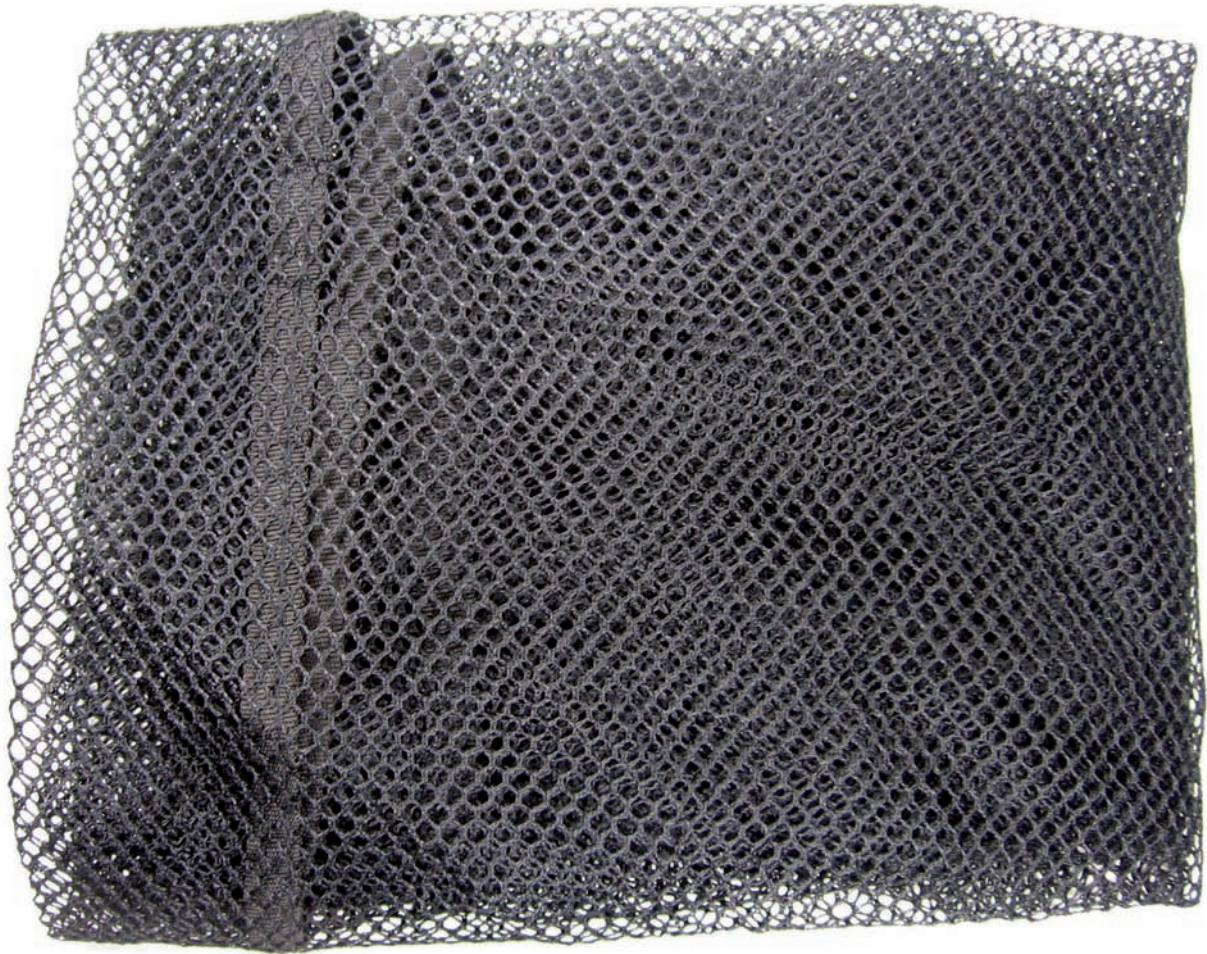
Pos.	Produkt / Product	Artikelnr. / Item no.	Ersatzteil	Spare part
1	PondoVac 4	13911	Ersatz Bügelgriff m. Schraube, grau	Spare part adjustable handle, grey
2	PondoVac 4	13442	Motorenkopf PondoVac 4	Motor section PondoVac 4
3	PondoVac 4	26760	Filterschaum PPI 45Ä PondoVac 3 + 4	Filter foam PPI 45Ä PondoVac 3 + 4
4	PondoVac 4	27183	Rastplatte	Engage plate
5	PondoVac 4	13912	Ersatz Behälter kpl. PondoVac 4	Spare part tank cpl. PondoVac 4
6	PondoVac 4	29464	BG Klammer PondoVac 3 + 4	ASM clamp PondoVac 3 + 4
7	PondoVac 4	14102	Ablaufschlauch ID57 mm geklebt	Outlet hose ID57 mm assembly
8	PondoVac 4	13910	Ersatzradset PondoVac 4	Spare wheel set PondoVac 4
9	PondoVac 4	13490	Saugschlauchgarnitur 38 mm x 5 m 300 hPa	Inlet hose set 38 mm x 5 m 300 hPa
10	PondoVac 4	13436	BG Einlassverteiler blau RAL5003	ASM inlet distributor blue RAL5003
11	PondoVac 4	27546	Saugrohr 500 mm transparent	Suction pipe 500 mm clear
12	PondoVac 4	27303	Saugrohr 500 mm schwarz	Suction pipe 500 mm black
	PondoVac 4	16347	BG Aluminiumrohr PondoVac 4	ASM aluminum pipe PondoVac 4
13	PondoVac 4	35398	Ersatz Set Gummiteile	Spare set rubber parts
14	PondoVac 4	27756	Schmutzfangbeutel	Dirt bag
15	PondoVac 4	27519	Stopfen PondoVac 3 + 4	Plug PondoVac 3 + 4
16	PondoVac 4	13909	Ersatz Düsenset PondoVac 4	Spare nozzle set PondoVac 4
17	PondoVac 4	12696	BG Flächendüse	ASM Surface brush



Produkt / Product

50079 Profi Fischkescher

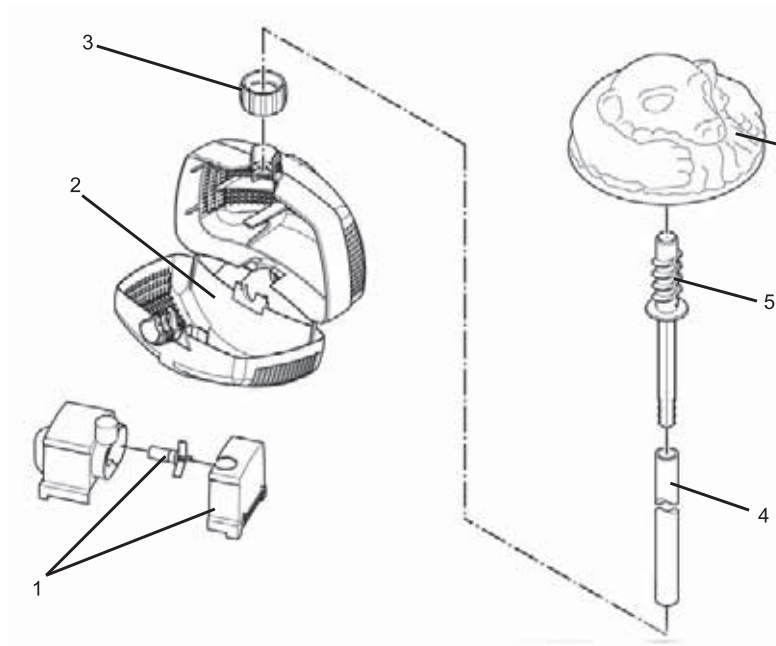
50078 Profi Teichkescher



Pos.	Produkt / Product	Artikelnr. / Item no.	Ersatzteil	Spare part
1	Profi Fischkescher	50956	Ersatznetz Profi Fischkescher	Spare net Profi Fish net
	Profi Teichkescher	50961	Ersatznetz Profi Teichkescher	Spare net Profi Pond net

Produkt / Product

56534 IceFree 20



Pos.	Produkt / Product	Artikelnr. / Item no.	Ersatzteil	Spare part
1	IceFree 20	36957	Ersatzteil-Set Pumpe IceFree 20	Spare part set pump IceFree 20
2	IceFree 20	34910	Filtergehäuse IceFree 20	Filter housing IceFree 20
3	IceFree 20	34905	Muffe IceFree 20	Bush IceFree 20
4	IceFree 20	25734	Schlauch ID12 x W2 L: 750 IceFree 20	Hose ID12 x W2 L:750 IceFree 20
5	IceFree 20	34901	Leitschwert IceFree 20	Guide sword IceFree 20
6	IceFree 20	25735	Schwimmer Eisbär	Float ice bear

Produkt / Product

50571 AquaActiv Wasseranalyse Profi-Set



50660 Nachfüllset Nitrit/Nitrat – Refill pack nitrite/nitrate



50661 Nachfüllset Phosphat – Refill pack phosphate



50662 Nachfüllset GH/KH – Refill pack hardness/carbonate hardness



50663 Nachfüllset Ammonium/Ammoniak – Refill pack ammonium/ammonia



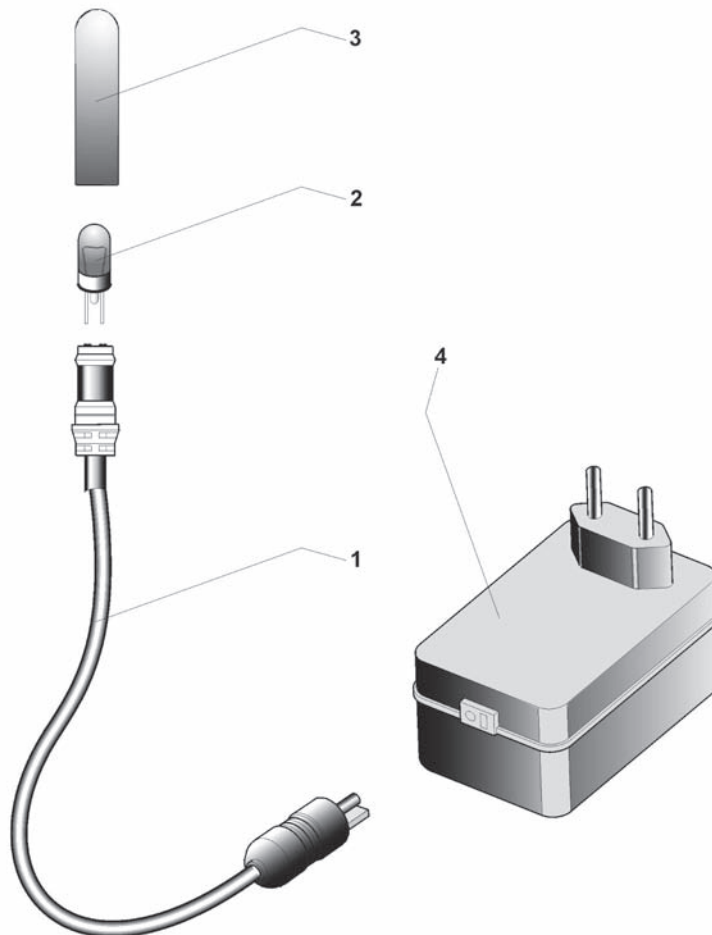
50664 Nachfüllset pH – Refill pack pH-value

Pos.	Produkt / Product	Artikelnr. / Item no.	Ersatzteil	Spare part
1	AquaActiv Wasseranalyse Profi-Set	50660	Nachfüllset Nitrit/Nitrat	Refill pack nitrite/nitrate
2	AquaActiv Wasseranalyse Profi-Set	50661	Nachfüllset Phosphat	Refill pack phosphate
3	AquaActiv Wasseranalyse Profi-Set	50662	Nachfüllset GH/KH	Refill pack hardness/carbonate hardness
4	AquaActiv Wasseranalyse Profi-Set	50663	Nachfüllset Ammonium/Ammoniak	Refill pack ammonium/ammonia
5	AquaActiv Wasseranalyse Profi-Set	50664	Nachfüllset pH	Refill pack pH-value

Produkt / Product

50593 LunAqua Micro Set

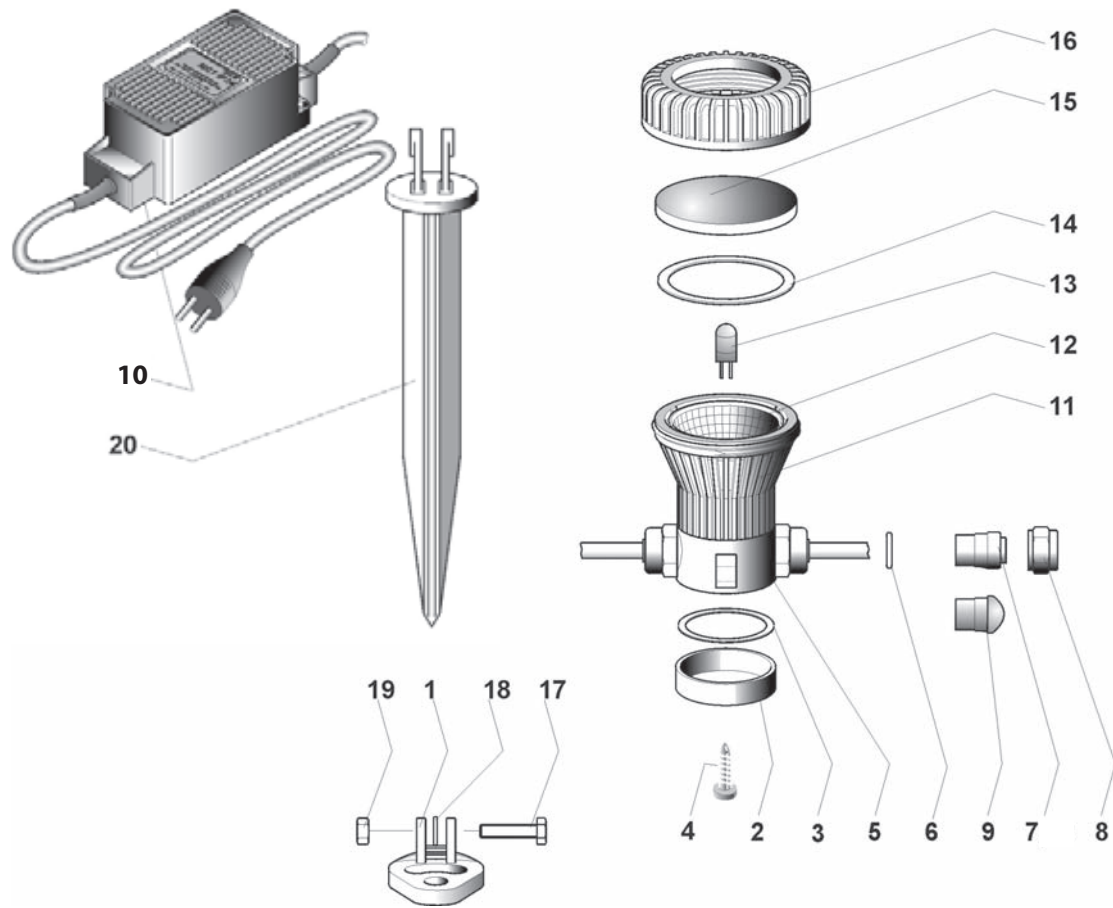
53055 LunAqua Mini



Pos.	Produkt / Product	Artikelnr. / Item no.	Ersatzteil	Spare part
1	LunAqua Micro / Mini	22980	Kabelgarnitur H03VV-F 2x0,75 1590 mm lg.	Cable H03VV-F 2x0.75 1590 mm long
2	LunAqua Micro / Mini	52662	Halogen Leuchtmittel 5 W	Halogen bulb 5 W
3	LunAqua Micro / Mini	14363	Schutzglas D12 x 60,5 LunAqua Micro	Protective glass D12x60.5 LunAqua Micro
4	LunAqua Micro / Mini	15560	Sicherheitstrafo 230 V / 12 V / 20 VA	Safety transformer 230 V / 12 V / 20 VA

Produkt / Product

- 54993 LunAqua 2 / 12 V
- 52177 LunAqua 2
- 52038 LunAqua 2 Set 1
- 52039 LunAqua 2 Set 2

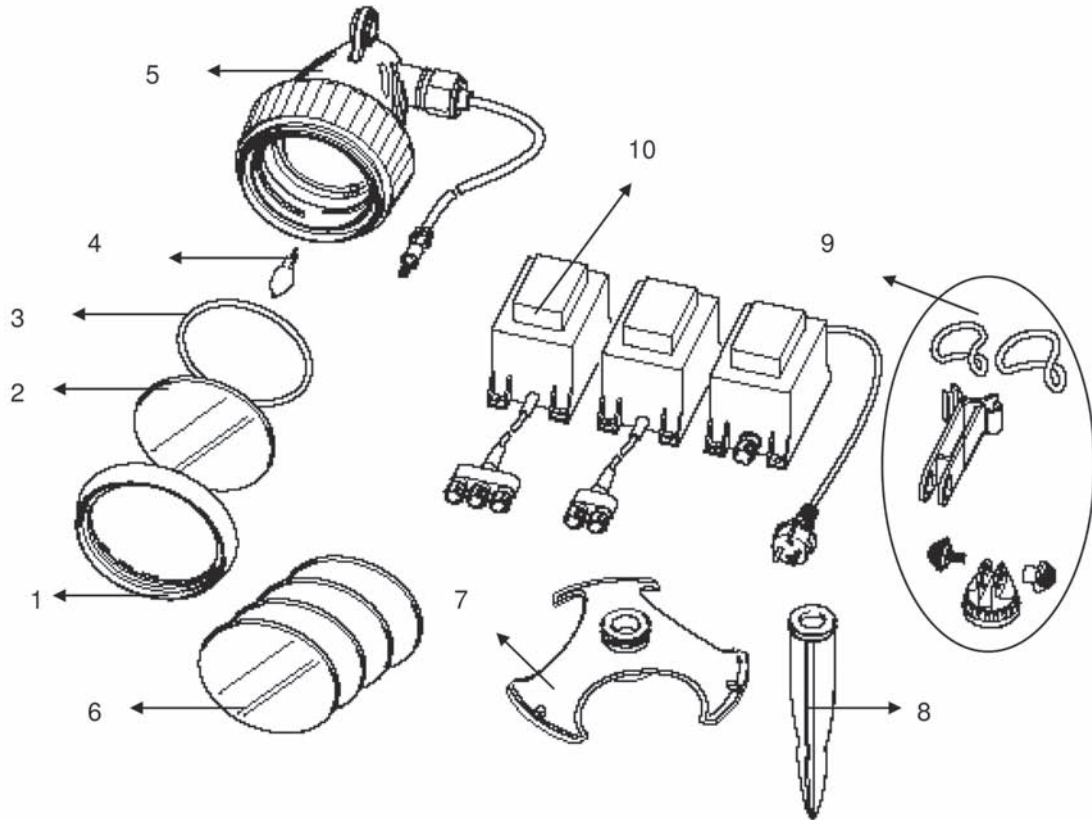


Pos.	Produkt / Product	Artikelnr. / Item no.	Ersatzteil	Spare part
1	LunAqua 2 - Set 2	34788	Klemmhalter LunAqua 2 + 3	Clamp holder LunAqua 2 + 3
2	LunAqua 2 - Set 2	11601	Deckel LunAqua 2	Cover LunAqua 2
3	LunAqua 2 - Set 2	11606	Flachdichtung Deckel LunAqua 2	Flat gasket cover LunAqua 2
4	LunAqua 2 - Set 2	11631	Ejot-PT-Schraube 1411 KA 50-14	Ejot-PT-screw 1411 KA 50-14
5	LunAqua 2 - Set 2	12764	Vormontage LunAqua 2	Pre-assembly LunAqua 2
6	LunAqua 2 - Set 2	2 x 11162	O-Ring NBR 28 x 2,5 SH70	O-Ring NBR 28 x 2.5 SH70
7	LunAqua 2 / 12 V	11587	Kabeldichtung PG 11 (H05) LunAqua 2	Cable seal PG 11 (H05) LunAqua 2
	LunAqua 2 / 12 V	11674	Kabeldichtung PG 11 (H07) LunAqua 2 / 4	Cable seal PG 11 (H07) LunAqua 2 / 4
	LunAqua 2	2 x 11587	Kabeldichtung PG 11 (H05) LunAqua 2	Cable seal PG 11 (H05) LunAqua 2
	LunAqua 2	11674	Kabeldichtung PG 11 (H07) LunAqua 2 / 4	Cable seal PG 11 (H07) LunAqua 2 / 4
	LunAqua 2 Set 1	11587	Kabeldichtung PG 11 (H05) LunAqua 2	Cable seal PG 11 (H05) LunAqua 2
	LunAqua 2 Set 1	11674	Kabeldichtung PG 11 (H07) LunAqua 2 / 4	Cable seal PG 11 (H07) LunAqua 2 / 4
	LunAqua 2 Set 2	11587	Kabeldichtung PG 11 (H05) LunAqua 2	Cable seal PG 11 (H05) LunAqua 2
8	LunAqua 2 - Set 2	2 x 11586	Überwurfmutter PG 11 LunAqua 2	Coupling nut PG 11 LunAqua 2
9	LunAqua 2 - Set 2	11632	Blindstopfen PG 11 LunAqua 2	Rubber plug PG 11 LunAqua 2

Pos.	Produkt / Product	Artikelnr. / Item no.	Ersatzteil	Spare part
10	LunAqua 2 Set 1	11590	Trafo 20 VA LunAqua 2 / Set 1	Transformer 20 VA LunAqua 2 / set 1
	LunAqua 2 Set 2	11655	Trafo 50 VA LunAqua 2 / Set 2	Transformer 50 VA LunAqua 2 / set 2
11	LunAqua 2 - Set 2	11610	Gehäuse LunAqua 2	Housing LunAqua 2
12	LunAqua 2 - Set 2	11644	Reflektor LunAqua 2	Reflector LunAqua 2
13	LunAqua 2 - Set 2	70703	Halogen Leuchtmittel 20 W	Halogen bulb 20 W
14	LunAqua 2 - Set 2	11607	Flachdichtung Oberteil LunAqua 2	Flat gasket upper part LunAqua 2
15	LunAqua 2 - Set 2	17831	Abdeckglas LunAqua 2 D59	Lens LunAqua 2 clear glass
16	LunAqua 2 - Set 2	11608	Oberteil LunAqua 2	Top LunAqua 2
17	LunAqua 2 - Set 2	5909	Sechskantschraube V2A DIN 933 6 x 30	Hexagon bolt V2A DIN 933 6 x 30
18	LunAqua 2 - Set 2	6135	Unterlegscheibe 1.4301 DIN 125 6,4	Washer 1.4301 DIN 125 6.4
19	LunAqua 2 - Set 2	6105	Sechskantmutter V2A DIN 934 M6	Hexagon nut V2A DIN 934 M6
20	LunAqua 2 - Set 2	11597	Erdspieß LunAqua 2	Spike LunAqua 2

Produkt / Product

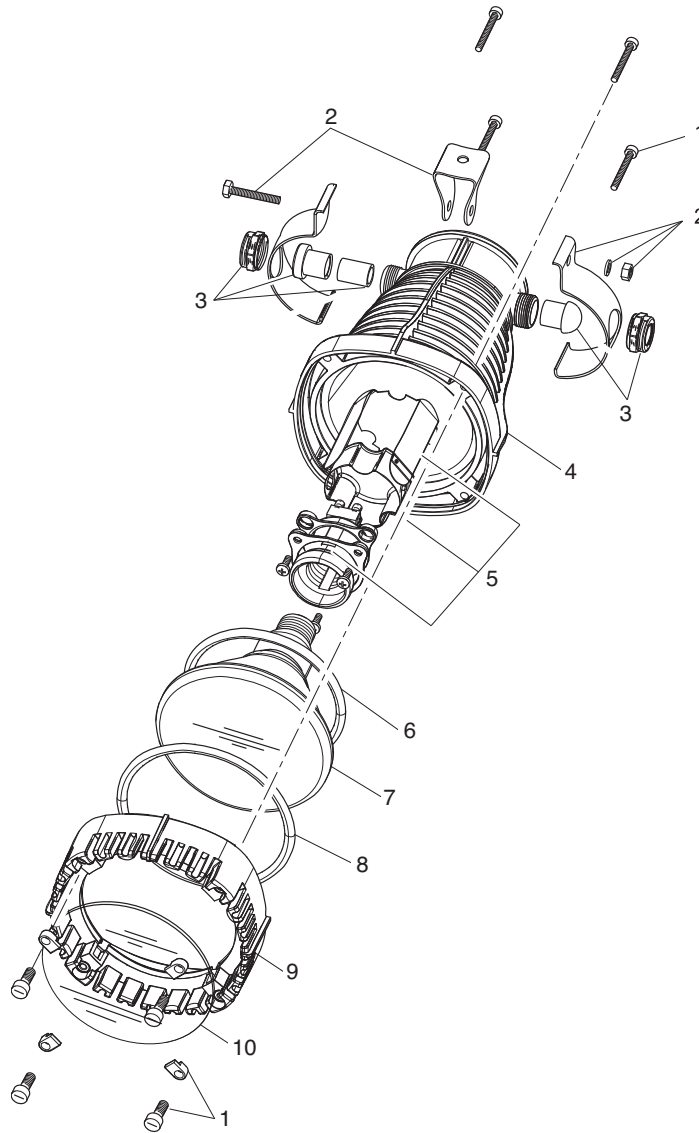
- 56903 LunAqua 3 Set 1
- 56904 LunAqua 3 Set 2
- 56905 LunAqua 3 Set 3



Pos.	Produkt / Product	Artikelnr. / Item no.	Ersatzteil	Spare part
1	LunAqua 3 Set 1 - 3	27073	Überwurfmutter LunAqua 3 / Classic LED	Coupling nut LunAqua 3 / Classic LED
2	LunAqua 3 Set 1 - 3	27259	Glasscheibe klar LunAqua 3	Lens clear LunAqua 3
3	LunAqua 3 Set 1 - 3	27267	O-Ring SI 61 x 2 SH70 A schwarz	O-Ring SI 61 x 2 SH70 A black
4	LunAqua 3 Set 1 - 3	70703	Halogen Leuchtmittel 20 W	Halogen bulb 20 W
5	LunAqua 3 Set 1 - 3	35850	BG Scheinwerfer LunAqua 3	ASM spotlight LunAqua 3
6	LunAqua 3 Set 1 - 3	27565	Farbscheiben-Set LunAqua 3 / Solar	Colour lens set LunAqua 3 / Solar
7	LunAqua 3 Set 1 - 3	35387	BG Standfuß LunAqua 3	ASM base LunAqua 3
8	LunAqua 3 Set 1 - 3	20284	Erdspeiß	Spike
9	LunAqua 3 Set 1 - 3	27566	Ersatz Düsenhalterung + Laschen LunAqua3	Spare nozzle holder LunAqua 3
10	LunAqua 3 Set 1	27067	Trafo 20VA 2 m H05RN-F 2 x 0,75 mm <sup>2</sup>	Transformer 20VA 2m H05RN-F 2 x 0.75 mm <sup>2</sup>
	LunAqua 3 Set 2	27068	Trafo 45VA 2 m H05RN-F 2 x 0,75 mm <sup>2</sup>	Transformer 45VA 2m H05RN-F 2 x 0.75 mm <sup>2</sup>
	LunAqua 3 Set 3	27069	Trafo 60VA 2 m H05RN-F 2 x 0,75 mm <sup>2</sup>	Transformer 60VA 2m H05RN-F 2 x 0.75 mm <sup>2</sup>

Produkt / Product

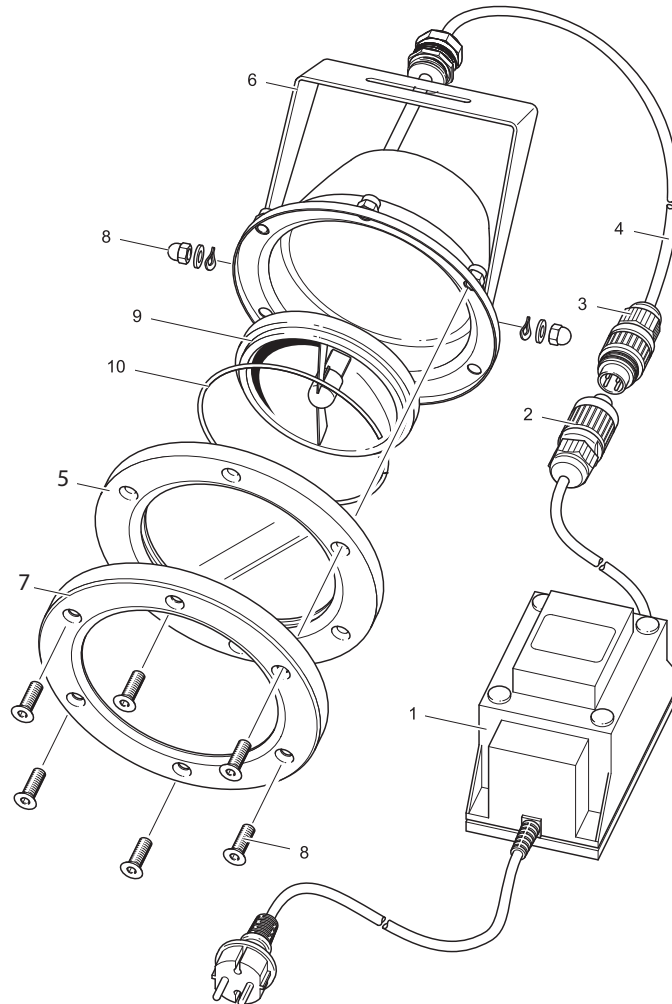
57076 LunAqua 5.1



Pos.	Produkt / Product	Artikelnr. / Item no.	Ersatzteil	Spare part
1	LunAqua 5.1	35592	BG Schrauben LunAqua 5.1	ASM bolts LunAqua 5.1
2	LunAqua 5.1	35595	BG Halterung LunAqua 5.1	ASM holder LunAqua 5.1
3	LunAqua 5.1	35597	BG Dichtungen LunAqua 5.1	ASM gaskets LunAqua 5.1
4	LunAqua 5.1	27532	Gehäuse LunAqua 5.1	Housing LunAqua 5.1
5	LunAqua 5.1	35596	BG Fassung LunAqua 5.1	ASM holder LunAqua 5.1
6	LunAqua 5.1	3636	O-Ring SI 98 x 7,5 SH45 rot	O-Ring SI 98 x 7.5 SH45 red
7	LunAqua 5.1	56812	Reflektorlampe PAR 38, 12V, 100 W, 30°	Reflector bulb PAR 38, 12 V, 100 W, 30°
8	LunAqua 5.1	3637	O-Ring SI 110 x 6 SH45 rot	O-Ring SI 110 x 6 SH45 red
9	LunAqua 5.1	27531	Oberteil LunAqua 5.1	Top LunAqua 5.1
10	LunAqua 5.1	57430	Farbscheibe rot, LunAqua 5.1	Colour lens red, LunAqua 5.1
	LunAqua 5.1	57431	Farbscheibe grün, LunAqua 5.1	Colour lens green, LunAqua 5.1
	LunAqua 5.1	57432	Farbscheibe gelb, LunAqua 5.1	Colour lens yellow, LunAqua 5.1
	LunAqua 5.1	57433	Farbscheibe blau, LunAqua 5.1	Colour lens blue, LunAqua 5.1



Produkt / Product  
56898 ProfiLux 100 E

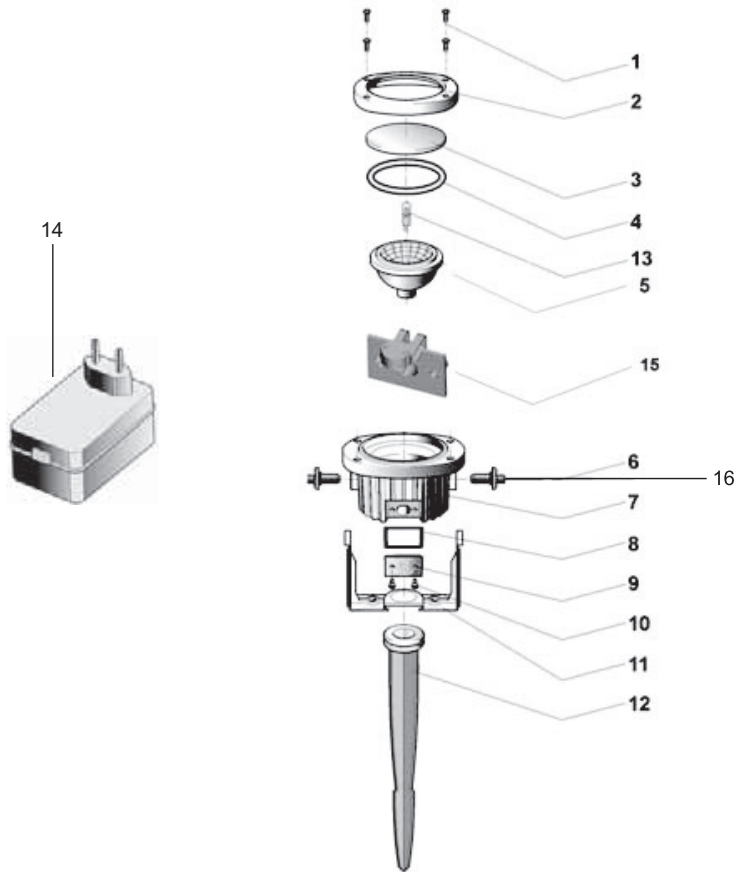


Pos.	Produkt / Product	Artikelnr. / Item no.	Ersatzteil	Spare part
1	ProfiLux 100 E	35418	BG Trafo ProfiLux 100 E	ASM transformer ProfiLux 100 E
2	ProfiLux 100 E	26930	Leitungskupplung Solar / ProfiLux	Cable coupler Solar / ProfiLux
3	ProfiLux 100 E	26922	Leitungsstecker Solar / ProfiLux	Cordplug Solar / ProfiLux
4	ProfiLux 100 E	26996	Anschlussltg. ProfiLux H07RN-F 2x2,5 mm <sup>2</sup>	Cable ProfiLux H07RN-F 2 x 2.5 mm <sup>2</sup>
5	ProfiLux 100 E	27581	BG Dichtung + Scheibe ProfiLux 100	ASM gasket + disc ProfiLux 100
6	ProfiLux 100 E	34572	Halter VA LunAqua 10 / ProfiLux	Holder VA LunAqua 10 / ProfiLux
7	ProfiLux 100 E	27582	Scheinwerferring ProfiLux 100 E	Cover ring ProfiLux 100 E
8	ProfiLux 100 E	27580	Ersatz-Set Schrauben ProfiLux 100	Spare part screws ProfiLux 100
9	ProfiLux 100 E	52943	Halogen-Reflektorlampe 100 W, 24°, weiß	Halogen reflector bulb 100 W, 24°, white
10	ProfiLux 100 E	27583	Klemmring ProfiLux 100	Clamp ring ProfiLux 100

Produkt / Product

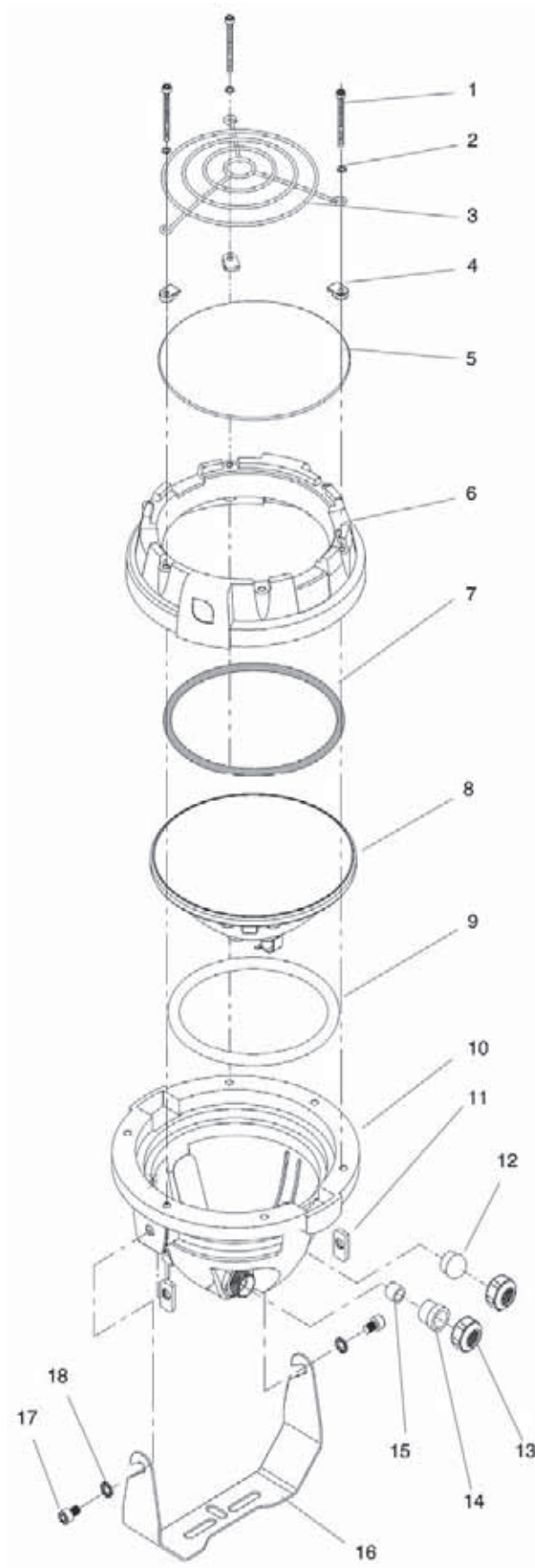
54034 LunAqua 10

54314 LunAqua 35 Set



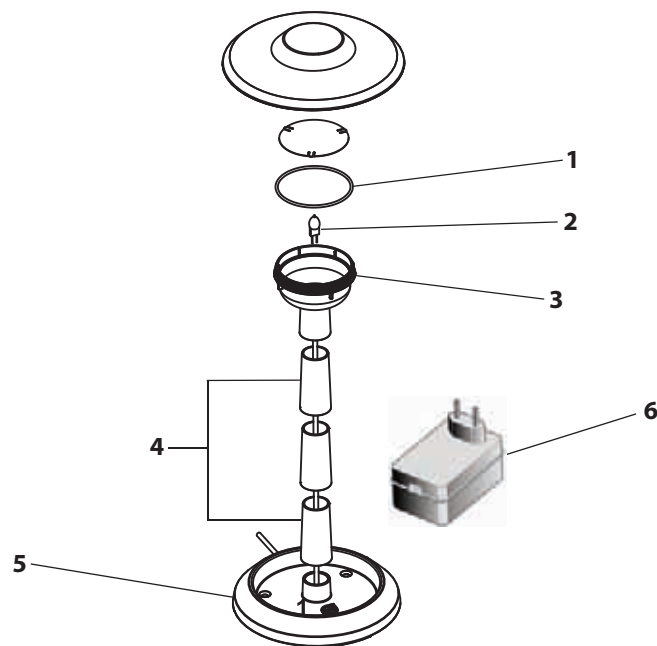
Pos.	Produkt / Product	Artikelnr. / Item no.	Ersatzteil	Spare part
1	LunAqua 10 - Set 35	4 x 6054	Linsenschraube V2A DIN 7985 5 x 16	Oval head screw V2A DIN 7985 5 x 16
2	LunAqua 10 - Set 35	20280	Oberteil LunAqua 10, 12 V	Top LunAqua 10, 12 V
3	LunAqua 10 - Set 35	20685	Lampenglas LunAqua 10	Lens LunAqua 10
4	LunAqua 10 - Set 35	17084	O-Ring SI 114,2 x 5,7 SH70	O-Ring SI 114.2 x 5.7 SH70
5	LunAqua 10 - Set 35	20686	Reflektor LunAqua 10	Reflector LunAqua 10
6	LunAqua 10 - Set 35	2 x 20283	Klemmschraube LunAqua 10	Clamp screw LunAqua 10
7	LunAqua 10 - Set 35	20281	Unterteil LunAqua 10, 12 V	Base LunAqua 10, 12 V
8	LunAqua 10 - Set 35	20682	Flachdichtung 47 x 24 x 0,5 SH70	Flat gasket 47 x 24 x 0.5 SH70
9	LunAqua 10 - Set 35	20547	Blindkappe UST 150	Gland seal UST 150
10	LunAqua 10 - Set 35	2 x 6056	Linsenschraube V2A DIN 7985 5 x 22	Oval head screw V2A DIN 7985 5 x 22
11	LunAqua 10 - Set 35	20282	Schwenkbügel LunAqua 10, 12 V	Swivel bracket LunAqua 10, 12 V
12	LunAqua 10 - Set 35	20284	Erdspieß	Spike
13	LunAqua 10 - Set 35	54035	Halogen Leuchtmittel 35 W	Halogen bulb 35 W
14	LunAqua 10 - Set 35	20977	Trafo LunAqua 35	Transformer LunAqua 35
15	LunAqua 10 - Set 35	34408	Ersatz Fassung LunAqua 10 kpl.	Spare lamp holder LunAqua 10 cpl.
16	LunAqua 10 - Set 35	2 x 20962	Mutter LunAqua 10	Nut LunAqua 10

Produkt / Product  
57288 UWS K 300



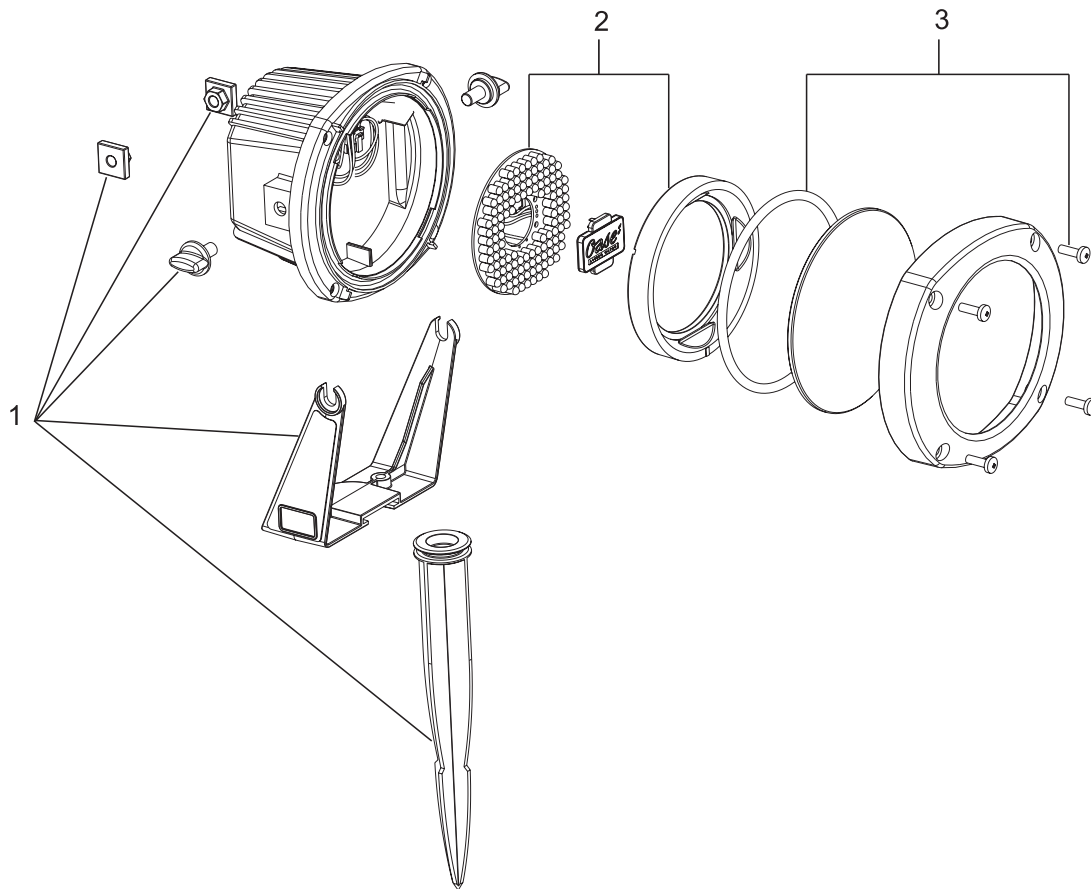
Pos.	Produkt / Product	Artikelnr. / Item no.	Ersatzteil	Spare part
1	UWS K 300	28783	Linsenschraube VA DIN 7985 M5 x 55	<i>Oval head screw VA DIN 7985 M5 x 55</i>
2	UWS K 300	6134	Unterlegscheibe V2A DIN 125 5,3	<i>Washer V2A DIN 125 5,3</i>
3	UWS K 300	28686	Schutzgitter UWS K 300	<i>Protective grating UWS K 300</i>
4	UWS K 300	28616	Halteelement UWS K 300 / 500	<i>Fixer UWS K 300 / 500</i>
5	UWS K 300	57343	Farbscheibe rot, UWS K 300	<i>Colour lens red, UWS K 300</i>
	UWS K 300	57344	Farbscheibe blau, UWS K 300	<i>Colour lens blue, UWS 300</i>
	UWS K 300	57345	Farbscheibe gelb, UWS K 300	<i>Colour lens yellow, UWS K 300</i>
	UWS K 300	57346	Farbscheibe grün, UWS K 300	<i>Colour lens green, UWS K 300</i>
6	UWS K 300	28608	Oberteil UWS K 300 / 500	<i>Top UWS K 300 / 500</i>
7	UWS K 300	29010	O-Ring SI 160 x 7 SH45	<i>O-Ring SI 160 x 7 SH45</i>
8	UWS K 300	51981	Reflektorlampe UWS K300 220V,300W,12-8°	<i>Reflector bulb UWS K 300 220V,300W,12-8°</i>
	UWS K 300	51982	Reflektorlampe UWS K300 220V,300W,40-16°	<i>Reflector bulb UWS K300 220V,300W,40-16°</i>
9	UWS K 300	28683	O-Ring SI 145 x 10 SH45	<i>O-Ring SI 145 x 10 SH45</i>
10	UWS K 300	35599	BG Gehäuse UWS K 300 / 500	<i>ASM housing part UWS-K 300 / 500</i>
11	UWS K 300	29011	Klemmblech M8	<i>Clamp plate M8</i>
12	UWS K 300	28684	Dichtstopfen	<i>Plug</i>
13	UWS K 300	28678	Überwurfmutter außen PG 16	<i>Coupling nut outside PG 16</i>
14	UWS K 300	28681	Kabeldichtung außen	<i>Cable seal outside</i>
15	UWS K 300	28682	Kabeldichtung innen	<i>Cable seal inside</i>
16	UWS K 300	28685	Haltebügel UWS K 300	<i>Retaining bracket UWS K 300</i>
17	UWS K 300	5958	Zylinderschraube V2A DIN 912 8 x 16	<i>Cylinder screw V2A DIN 912 8 x 16</i>
18	UWS K 300	6129	Sicherungsmutter V2A DIN 985 M8	<i>Safety nut V2A DIN 985 M8</i>

Produkt / Product  
56004 LunAqua 2002 / 20



Pos.	Produkt / Product	Artikelnr. / Item no.	Ersatzteil	Spare part
1	LunAqua 2002 / 20	24550	O-Ring SI 89 x 3 SH40 rot	O-Ring SI 89 x 3 SH40 red
2	LunAqua 2002 / 20	70703	Halogen Leuchtmittel 20 W	Halogen bulb 20 W
3	LunAqua 2002 / 20	34610	Ers.LunAqua 2002 Fassung,Klarsicht,Kabel	Spare parts LunAqua 2002, socket, cable
4	LunAqua 2002 / 20	33933	Steckhülse Lichtdüse 1/2"	Plug in sleeve light nozzle 1/2"
5	LunAqua 2002 / 20	24714	Fuß LunAqua 2002	Foot LunAqua 2002
6	LunAqua 2002 / 20	15560	Sicherheitstrafo 230 V / 12 V / 20 VA	Safety transformer 230 V / 12 V / 20 VA

**Produkt / Product**  
**50366 LunAqua 10 LED /01**

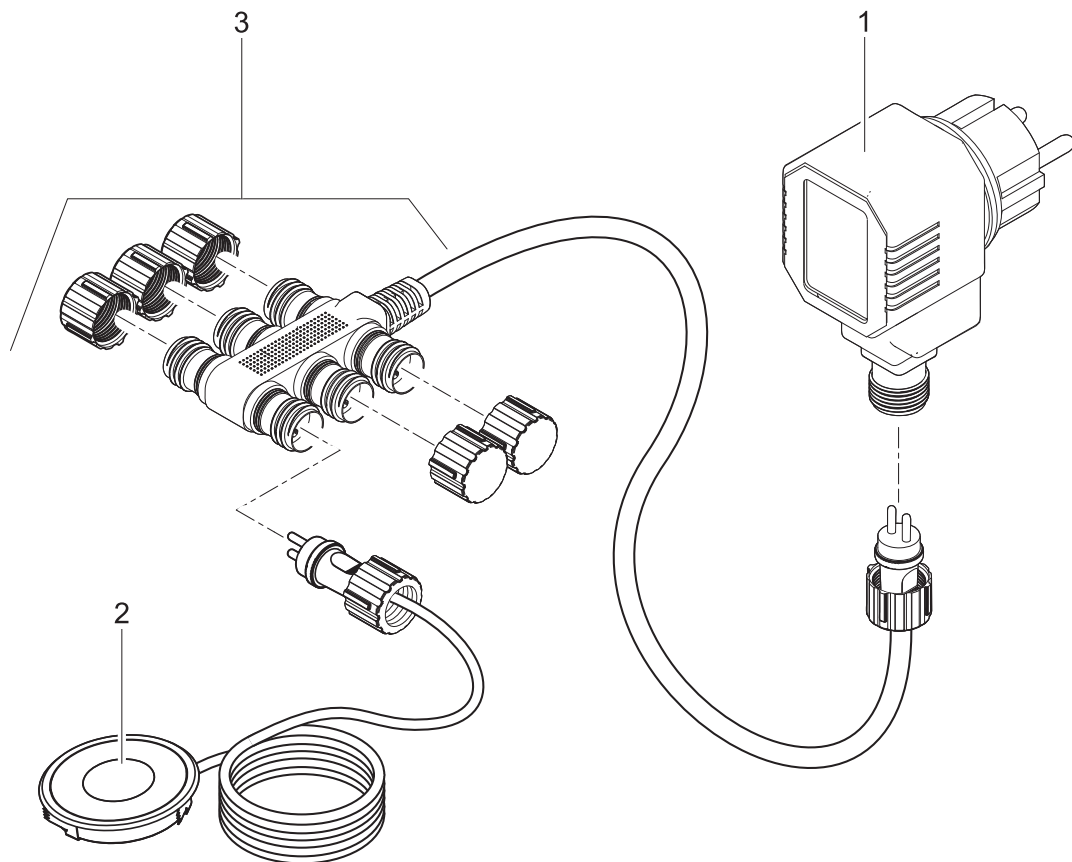


Pos.	Produkt / Product	Artikelnr. / Item no.	Ersatzteil	Spare part
1	LunAqua 10 LED	13422	Ersatz Befestigungsset LunAqua 10 LED	Spare part fastening set LunAqua 10 LED
2	LunAqua 10 LED	13371	Ersatz Leuchtmittel LunAqua 10 LED	Spare part illuminant LunAqua 10 LED
3	LunAqua 10 LED	13421	Ersatz Oberteil/Glas LunAqua 10 LED	Spare part top/glas LunAqua 10 LED

Produkt / Product

51043 LunAqua Terra LED Set 3

50729 LunAqua Terra LED Set 6

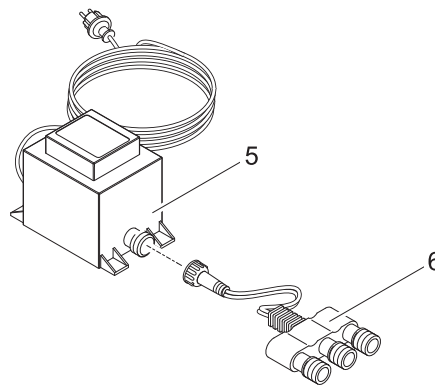
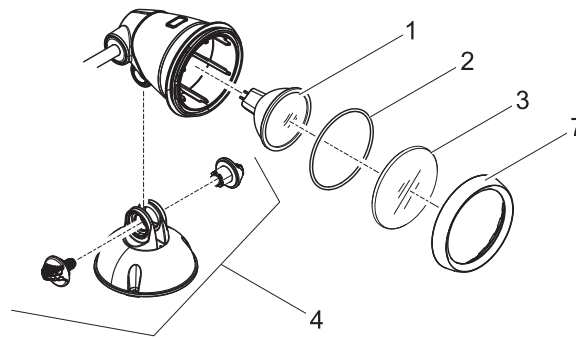


Pos.	Produkt / Product	Artikelnr. / Item no.	Ersatzteil	Spare part
1	LunAqua Terra LED	11252	Trafo DE-02-12DW 35/9 R	Transformer DE-02-12DW 35/9 R
2	LunAqua Terra LED	51056	LunAqua Terra LED Solo	LunAqua Terra LED Solo
3	LunAqua Terra LED	15933	Adapter male H05RN-F2x0,75/female 6x2,3	Adapter male H05RN-F2x0.75/female 6x2.3

Produkt / Product

50527 LunAqua Classic LED Set 1

50530 LunAqua Classic LED Set 3



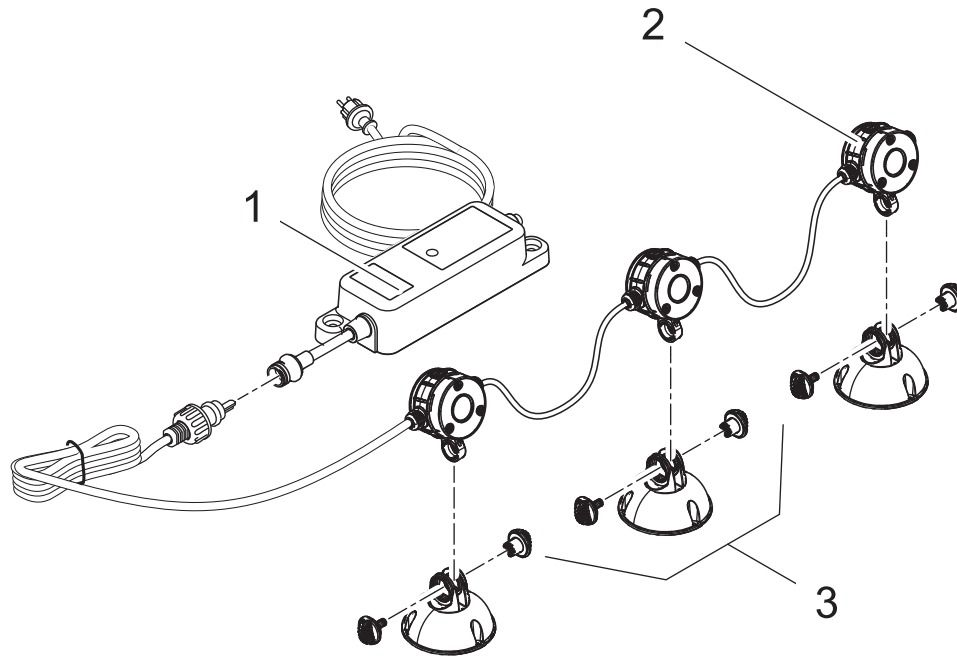
Pos.	Produkt / Product	Artikelnr. / Item no.	Ersatzteil	Spare part
1	LunAqua Classic LED Set 1 & 3	14912	Leuchtmittel LED MR-16 12 V/ 1 W GU5,3	Lamp LED MR-16 12 V / 1 W GU5,3
2	LunAqua Classic LED Set 1 & 3	27267	O-Ring SI 61 x 2 SH70 A schwarz	O-Ring SI 61 x 2 SH70 A black
3	LunAqua Classic LED Set 1 & 3	27259	Glasscheibe klar LunAqua 3	Lens clear LunAqua 3
4	LunAqua Classic LED Set 1 & 3	35649	BG Standfuß Luminis / LunAqua Classic	ASM base Luminis / LunAqua Classic
5	LunAqua Classic LED Set 1 & 3	15118	Trafo 6 VA 2 m H05RN-F 2x0,75mm <sup>2</sup>	Transformer 6 VA 2m H05RN-F 2 x 0.75 mm <sup>2</sup>
6	LunAqua Classic LED Set 1 & 3	15117	Adapter male H05RN-F2x0,75/female 3x2,35	Adapter male H05RN-F2x0.75/female 3x2.35
7	LunAqua Classic LED Set 1 & 3	27073	Überwurfmutter LunAqua 3 / Classic LED	Coupling nut LunAqua 3 / Classic LED



Produkt / Product

50512 LunAqua Mini LED

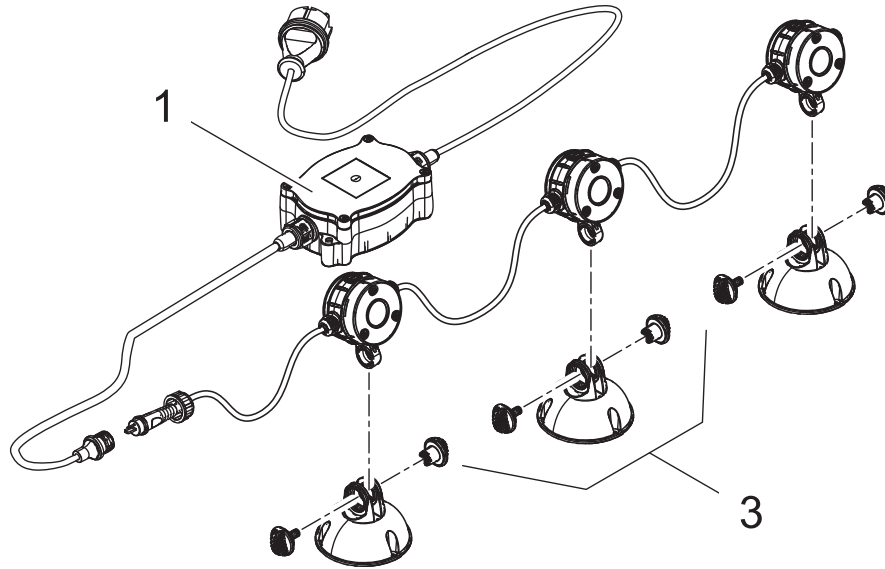
50513 LunAqua Mini LED warm



Pos.	Produkt / Product	Artikelnr. / Item no.	Ersatzteil	Spare part
1	LunAqua Mini LED	15562	BG Elektronik Box LunAqua Mini	ASM electronic box LunAqua Mini
2	LunAqua Mini LED	15201	BG LED Luminis 3 kaltweiß 2011	ASM LED Luminis 3 cold white 2011
	LunAqua Mini LED warm	15200	BG LED Luminis 3 warmweiß 2011	ASM LED Luminis 3 warm white 2011
3	LunAqua Mini LED	15619	BG Standfuss LunAqua Mini	ASM base LunAqua Mini

Produkt / Product

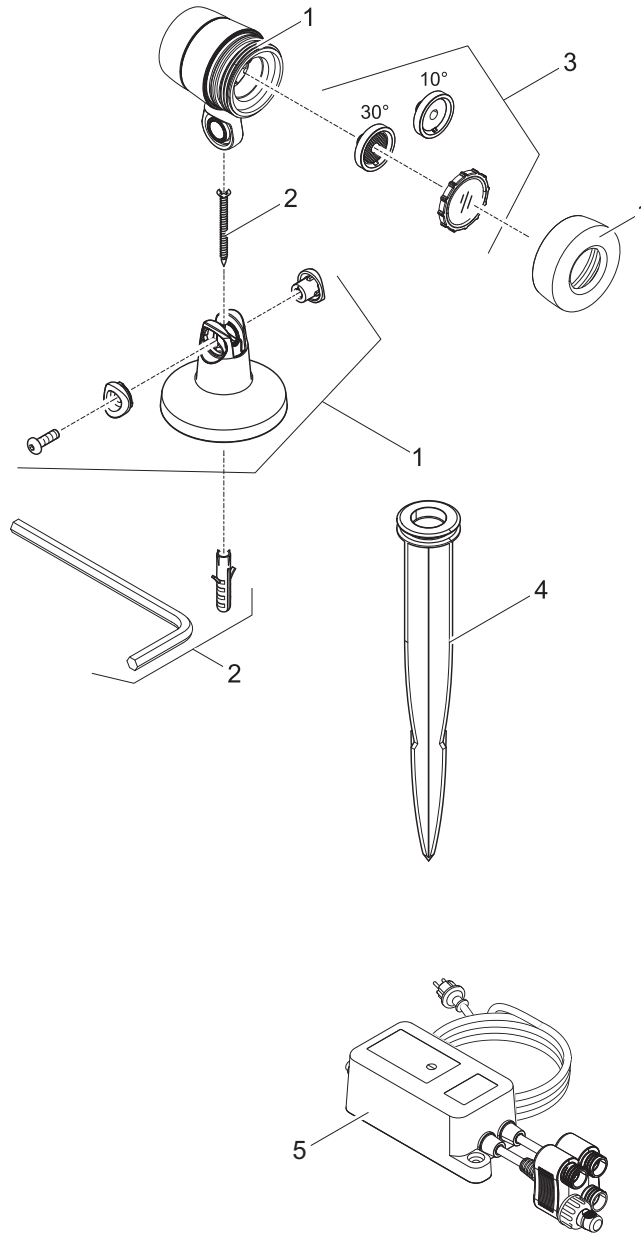
57140 Luminis 3



Pos.	Produkt / Product	Artikelnr. / Item no.	Ersatzteil	Spare part
1	Luminis 3	35511	BG Elektroeinheit Luminis 3	ASM electronic unit Luminis 3
3	Luminis 3	35649	BG Standfuß Luminis / LunAqua Classic	ASM base Luminis / LunAqua Classic

Produkt / Product

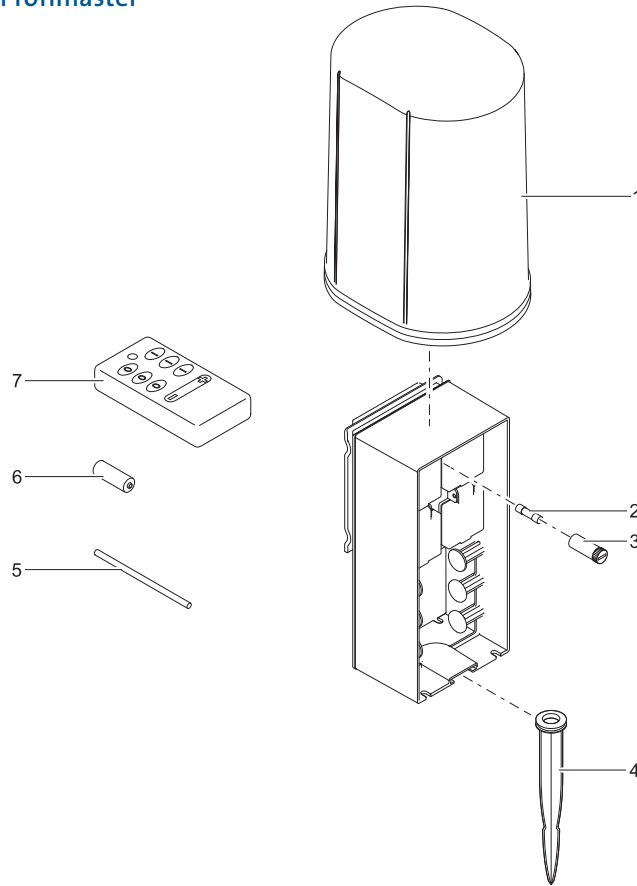
- 50509 LunAqua Maxi LED Solo
- 50507 LunAqua Maxi LED Set 1
- 50508 LunAqua Maxi LED Set 3



Pos.	Produkt / Product	Artikelnr. / Item no.	Ersatzteil	Spare part
1	LunAqua Maxi LED Set 1	50509	LunAqua Maxi LED Solo	LunAqua Maxi LED Solo
	LunAqua Maxi LED Set 3	50509	LunAqua Maxi LED Solo	LunAqua Maxi LED Solo
2	LunAqua Maxi LED Set 1 - 3 & Solo	15671	Ersatz Befestigung LunAqua Maxi	Replacement holder LunAqua Maxi
3	LunAqua Maxi LED Set 1 - 3 & Solo	15670	Ersatz Optik LunAqua Maxi	Replacement optics LunAqua Maxi
4	LunAqua Maxi LED Set 1 - 3 & Solo	20284	Erdspieß	Spike
5	LunAqua Maxi LED Set 1	14614	BG Elektroeinheit LunAqua Maxi Set 1	ASM electronic unit LunAqua Maxi Set 1
	LunAqua Maxi LED Set 3	15213	BG Elektroeinheit LunAqua Maxi Set 3	ASM electronic unit LunAqua Maxi Set 3

Produkt / Product

- 55454 InScenio 12 V
- 55433 InScenio 230
- 54978 InScenio FM-Master 1
- 36310 InScenio FM-Master 2
- 36311 InScenio FM-Master 3
- 56886 InScenio FM-Profimaster

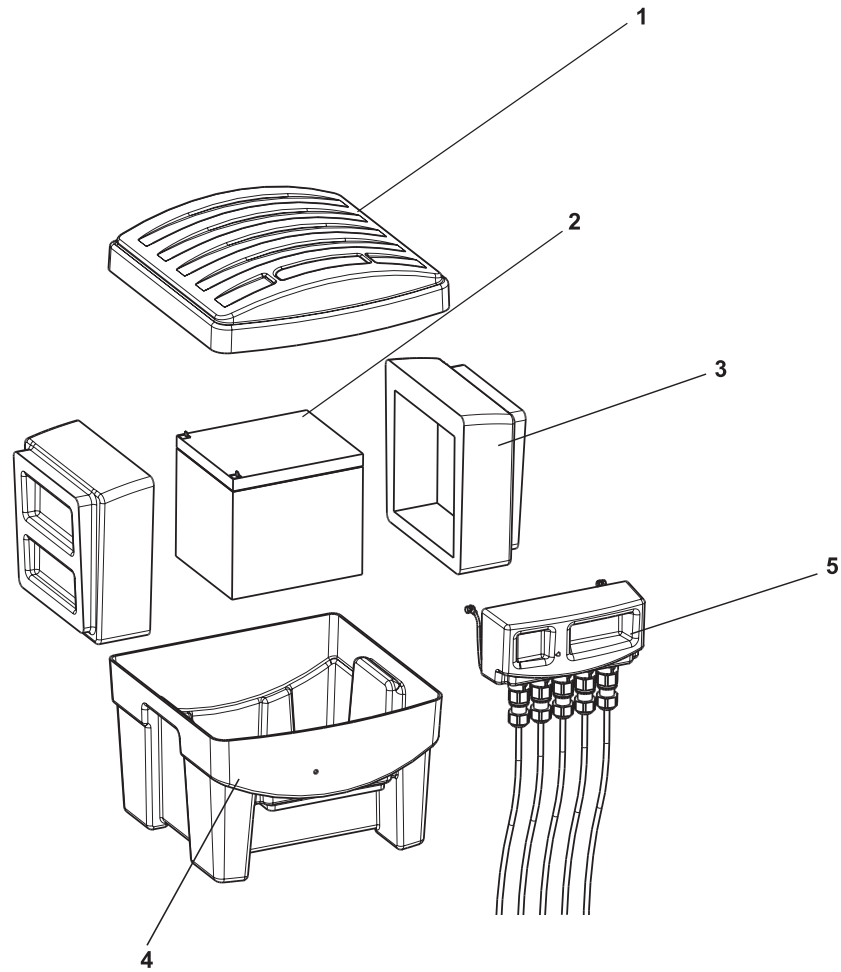


Pos.	Produkt / Product	Artikelnr. / Item no.	Ersatzteil	Spare part
1	InScenio FM-Master	33371	Haube FM-Master	Cover FM-Master
2	InScenio FM-Master 3	14368	G-Feinsicherung träge 2,0 A	Fuse T 2,0 A
	InScenio FM-Profimaster	14368	G-Feinsicherung träge 2,0 A	Fuse T 2,0 A
3	InScenio FM-Master 3	27645	Ersatz Feinsicherungshalter FM-Master 3	Spare fuse holder FM-Master 3
	InScenio FM-Profimaster	27645	Ersatz Feinsicherungshalter FM-Master 3	Spare fuse holder FM-Master 3
4	InScenio FM-Master	20284	Erdspieß	Spike
5	InScenio FM-Master 1	14496	Einlernstift FM-Master	Teach-in pin FM-Master
	InScenio FM-Master 2	14496	Einlernstift FM-Master	Teach-in pin FM-Master
	InScenio FM-Master 3	14496	Einlernstift FM-Master	Teach-in pin FM-Master
	InScenio FM-Profimaster	14496	Einlernstift FM-Master	Teach-in pin FM-Master
6	InScenio FM-Master 1	23263	Batterie GP23A	Battery GP23A
	InScenio FM-Master 2	23263	Batterie GP23A	Battery GP23A
	InScenio FM-Master 3	23263	Batterie GP23A	Battery GP23A
	InScenio FM-Profimaster	23263	Batterie GP23A	Battery GP23A
7	InScenio FM-Master 1	22653	Handsender FM-Master	Remote control FM-Master
	InScenio FM-Master 2	22653	Handsender FM-Master	Remote control FM-Master
	InScenio FM-Master 3	22653	Handsender FM-Master	Remote control FM-Master
	InScenio FM-Profimaster	22653	Handsender FM-Master	Remote control FM-Master

Produkt / Product

56895 SolarSafe 17

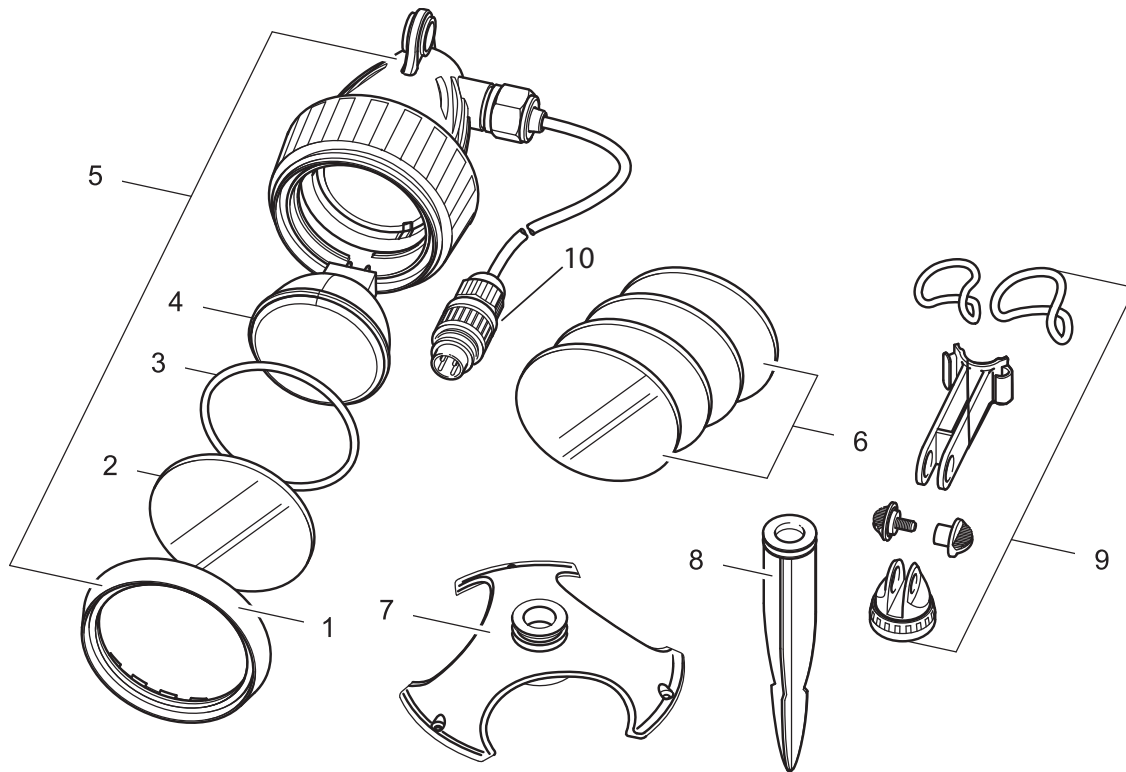
56896 SolarSafe 41



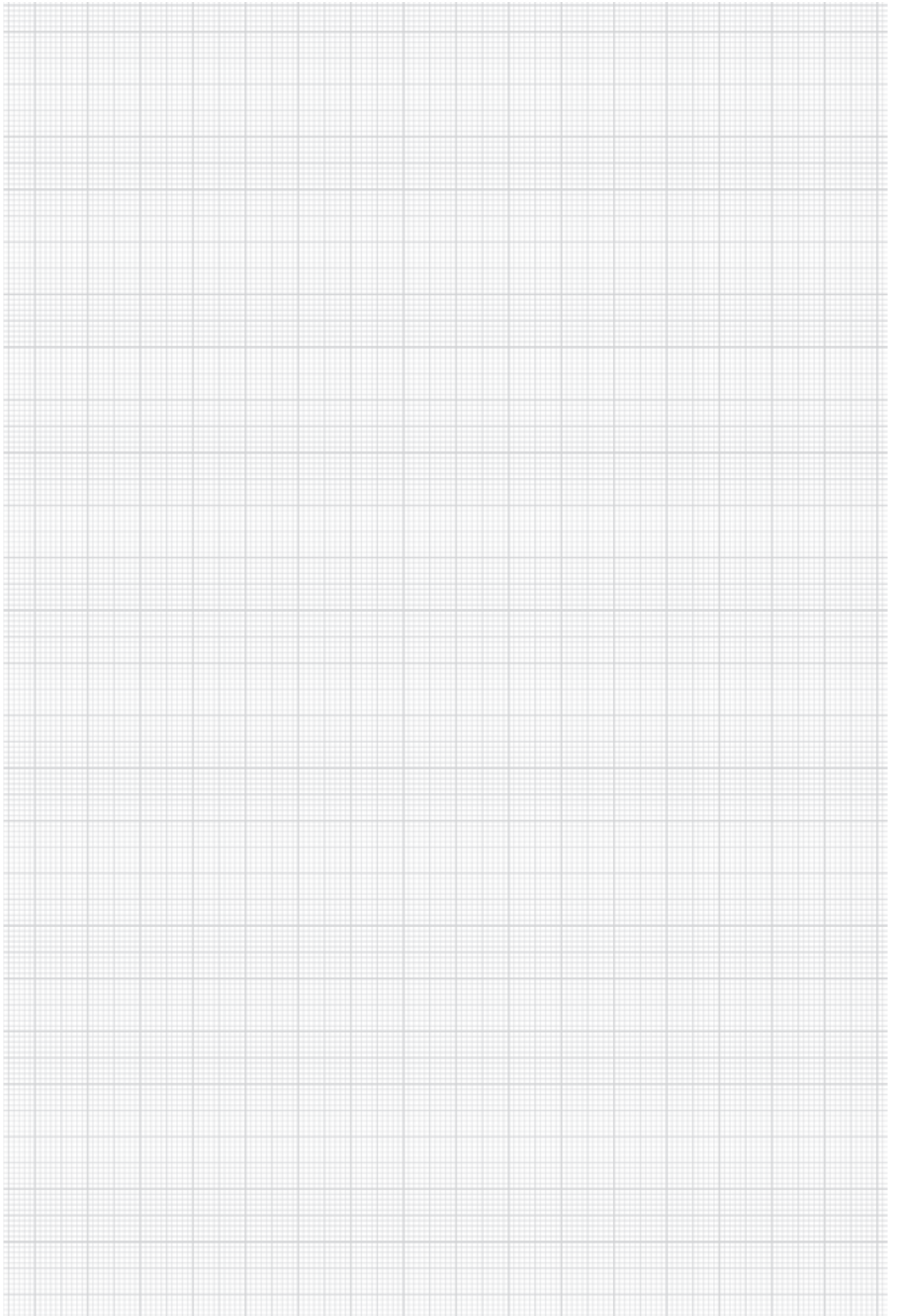
Pos.	Produkt / Product	Artikelnr. / Item no.	Ersatzteil	Spare part
1	SolarSafe 17 - 41	26915	Deckel SolarSafe 17 / 41	Cover SolarSafe 17 / 41
2	SolarSafe 17	27186	Solar Akku 12 V / 18 Ah	Solar battery 12 V / 18 Ah
	SolarSafe 41	27187	Solar Akku 12 V / 42 Ah	Solar battery 12 V / 42 Ah
3	SolarSafe 17	27193	Akkuaufnahme SolarSafe 17	Battery holder SolarSafe 17
	SolarSafe 41	26962	Akkuaufnahme SolarSafe 41	Inlet SolarSafe 41
4	SolarSafe 17 - 41	26914	Behälter SolarSafe 17 / 41	Filter box SolarSafe 17 / 41
5	SolarSafe 17 - 41	35373	BG Elektronik Box SolarSafe	ASM elektronik box SolarSafe

Produkt / Product

56894 LunAqua Solar



Pos.	Produkt / Product	Artikelnr. / Item no.	Ersatzteil	Spare part
1	LunAqua Solar	27073	Überwurfmutter LunAqua 3 / Classic LED	Coupling nut LunAqua 3 / Classic LED
2	LunAqua Solar	27259	Glasscheibe klar LunAqua 3	Lens clear LunAqua 3
3	LunAqua Solar	27267	O-Ring SI 61 x 2 SH70 A schwarz	O-Ring SI 61 x 2 SH70 A black
4	LunAqua Solar	27071	Leuchtmittel LED MR-16 12 V/ 1,5 W GX5,3	LED MR-16 12 V / 1.5 W GX5.3
5	LunAqua Solar	35391	BG Scheinwerfer LunAqua 3 Solar	ASM spotlight LunAqua 3 Solar
6	LunAqua Solar	27565	Farbscheiben-Set LunAqua 3 / Solar	Colour lens set LunAqua 3 / Solar
7	LunAqua Solar	35387	BG Standfuß LunAqua 3	ASM base LunAqua 3
8	LunAqua Solar	20284	Erdspeiß	Spike
9	LunAqua Solar	27566	Ersatz Düsenhalterung + Laschen LunAqua3	Spare nozzle holder LunAqua 3
10	LunAqua Solar	26931	Einbaustecker Solar	Build-in plug Solar



Sehr geehrte OASE Handelspartner,

OASE bevorratet Ersatzteile grundsätzlich mindestens 5 Jahre, in einzelnen Fällen bis zu 8 Jahre nach dem letzten Produktionsdatum.

Die Lieferung alternativer Ersatzteile, insbesondere aufgrund von Innovationen bzw. technischer Weiterentwicklungen, behalten wir uns vor. Sofern aus wirtschaftlichen und/oder produktionstechnischen Gründen keine Ersatzteillieferung innerhalb der o.g. 5 Jahre möglich ist, bietet OASE ein Nachfolge- oder Ersatzprodukt an.

*Sofern eine Reparatur an der Elektrik eines OASE Gerätes notwendig sein sollte, können Sie uns dieses gerne zur Instandsetzung einsenden. Autorisierte Firmen können unter Einhaltung der entsprechenden Richtlinien des VDE derartige Reparaturen auch selbst durchführen. Sollten Sie in diesem Zusammenhang sicherheitsrelevante Ersatzteile benötigen, können Sie diese mit diesem Formular per Fax bei uns anfragen!*



FAX-BESTELLUNG: 0 54 54 / 80 92 53 AN DIE OASE GMBH

## REPARATUR VON ELEKTRISCHEN GERÄTEN

### ABSENDER:

KUNDEN-NR.	_____	ANSCHRIFT	_____
FIRMA	_____		_____
NAME	_____		_____
TELEFON	_____	PLZ / ORT	_____
FAX	_____	E-MAIL	_____
ORT, DATUM	_____	UNTERSCHRIFT	_____

Hiermit versichere ich, dass die Wartung/Reparatur an der OASE-Tauchmotorpumpe oder einem anderem elektrischen Gerät, Typ ... ordnungsgemäß und fachmännisch auch unter Berücksichtigung der vorgeschriebenen Sicherheitsprüfungen nach VDE 0700 T1, T41 und VDE 0701 T 1 und T200 durchgeführt werden.

Mir ist bekannt, dass entsprechend der Gebrauchsanleitung der Firma OASE eine Haftung des Herstellers für Schäden, die in Folge unsachgemäßer Bedienung oder Reparatur, wegen mangelhafter Wartung oder normaler Abnutzung (Verschleißteile) entstanden sind, ausgeschlossen sind.

Insbesondere sind nachfolgende Anforderungen nach VDE 0700 T41 Abs. 13, 15, 16 und 27 zu berücksichtigen

### AUSZUG AUS DER VORSCHRIFT:

- Hochspannungsprüfung: 1250 Volt 1. Min.
- Schutzleiterprüfung: 25 Amp 2 Sek.
- Funktionsprüfung: 220 V/50 Hz 5 Sek.
- alternativ 380 V/50 Hz 5 Sek.
- Ableitstromprüfung: <0,75 mA 5 Sek.

sowie

- Druckwasserdichtheitsprüfung an der getaucheten Gesamtpumpe

Elektrisches Gerät:

\_\_\_\_\_

Benötigte Ersatzteile:

\_\_\_\_\_

\_\_\_\_\_

\_\_\_\_\_

\_\_\_\_\_



Dear OASE trade partner,

OASE always stocks spare parts for at least 5 years, in some cases up to 8 years after the last production date.

We reserve the right to deliver alternative spare parts, particularly due to innovations or further technical developments. If for economic and/or technical reasons, spare parts delivery within the 5 years cited above is not possible, OASE offers a successor or replacement product.

*If repair of the electrical components of an OASE device should be necessary, you can send this device to us for repair. Authorised companies can also execute these types of repairs themselves, in compliance with the appropriate VDE guidelines. In this situation should you require safety-relevant spare parts, you can request these parts from us by fax with this form!*



FAX PURCHASE ORDER: +49 54 54 / 80 92 53 To OASE GMBH

## REPAIR OF ELECTRICAL DEVICES

### SENDER:

CUSTOMER NO. \_\_\_\_\_ ADDRESS \_\_\_\_\_  
COMPANY \_\_\_\_\_  
NAME \_\_\_\_\_  
TELEPHONE \_\_\_\_\_ POSTAL CODE /CITY \_\_\_\_\_  
FAX \_\_\_\_\_ E-MAIL \_\_\_\_\_  
CITY, DATE \_\_\_\_\_ SIGNATURE \_\_\_\_\_

I hereby assure that the maintenance/repair on the OASE immersion motor pump or a different electrical device, type ... will be properly and expertly executed, also with due consideration of the prescribed safety tests in accordance with VDE 0700 T1, T41 and VDE 0701 T 1 and T200.

I am aware that in accordance with the instructions for use specified by OASE, liability on the part of the manufacturer for damage that occurs due to improper operation or repair, or due to inadequate maintenance or normal wear (wearing parts), is excluded.

In particular the following requirements in accordance with VDE 0700 T41 paragraph 13, 15, 16 and 27 must be considered.

### EXCERPT FROM THE DIRECTIVE:

- High-voltage test: 1250 volt 1. min.
  - Protective earth conductor test: 25 amp 2 sec.
  - Function test: 220 V/50 Hz 5 sec.  
alternatively 380 V/50 Hz 5 sec.
  - Leakage current test: <0.75 mA 5 sec.
- as well as
- Pressure-water tightness test on the submerged complete pump

Electrical device:

\_\_\_\_\_

Required spare parts:

\_\_\_\_\_  
\_\_\_\_\_  
\_\_\_\_\_  
\_\_\_\_\_

**Garantiefrist** Die Garantiezeiten eines OASE Produktes entnehmen Sie bitte der jeweiligen Gebrauchsanweisung. Der Lauf der Garantiefrist beginnt mit dem erstmaligen Kauf beim OASE-Fachhändler. Bei einem Weiterverkauf beginnt die Garantiefrist daher nicht von neuem zu laufen.

**Garantieleistungen** Wir leisten aus der Garantie Nacherfüllung nach unserer Wahl durch Reparatur, Ersatzteillieferung oder Neulieferung. Unsere Garantieleistung erstreckt sich auf Material- oder Fertigungsfehler. Beanstandungen, deren Ursachen auf Einbau- und Bedienungsfehler sowie mangelnde Pflege, nicht bestimmungsgemäßen Gebrauch, Frosteinwirkung, Kalkablagerungen oder unsachgemäße Reparaturversuche zurückzuführen sind, fallen nicht unter unseren Garantieschutz. Verschleißteile, wie z.B. Leuchtmittel sind nicht Bestandteil der Garantie. Eine genauere Definition der Verschleißteile enthält die Gebrauchsanweisung, die Bestandteil dieser Garantie ist. Die gesetzlichen Rechte des Käufers insbesondere aus der Gewährleistung bestehen weiter und werden durch diese Garantie nicht eingeschränkt.

**Haftung** Bei leicht fahrlässigen Pflichtverletzungen beschränkt sich unsere Haftung auf den nach der Art der Ware vorhersehbaren, vertragstypischen und unmittelbaren Durchschnittsschaden. Das gilt auch bei leicht fahrlässigen Pflichtverletzungen unserer gesetzlichen Vertreter oder Erfüllungsgehilfen. Diese Haftungsbeschränkung gilt nicht für Ansprüche des Kunden aus Produkthaftung. Weiter gilt diese Haftungsbeschränkung bei unzurechenbaren Körper- und Gesundheitsschäden oder bei Verlust des Lebens des Kunden.

**Reparaturen/Austausch** In unserer Fertigung wird ausschließlich Qualitätsmaterial verarbeitet. Sollte dennoch das Gerät Anlass zu einer berechtigten Beanstandung geben, so entscheiden wir nach unserer Wahl über die Art der Nacherfüllung durch kostenfreie Nachbesserung, z.B. Reparatur oder Ersatz der defekten Teile oder Neulieferung. Entscheiden wir uns für die Reparatur, umfasst der Garantieschutz nur deren Durchführung durch einen von uns genehmigten Reparaturbetrieb.

**Gültigkeit** Erfüllen wir aus der Garantie den Nacherfüllungsanspruch durch Ersatzteillieferung oder Reparatur oder Neulieferung, löst diese Maßnahme keinen neuen Beginn der Garantiefrist aus. Ansprüche aus der Garantie können nur mit Vorlage des Verkaufsbeleges bei uns: OASE GmbH, Tecklenburger Straße 161 in 48477 Hörstel, Deutschland dadurch geltend gemacht werden, dass Sie an uns frachtfrei das beanstandete Gerät oder Geräteteil mit Ihrem Kaufbeleg, sowie der schriftlichen Angabe des beanstandeten Fehlers senden.

**Guarantee period** The guarantee periods of an OASE product are provided in the respective instructions for use. The guarantee period starts with the first-time purchase from an OASE dealer. The guarantee period does not start over again in the case of a subsequent sale.

**Guarantee performances** We will repair, ship spare parts, or ship a new unit at our discretion to fulfill our guarantee obligation. Our guarantee covers defects in materials or manufacturing. Claims resulting from installation or operating errors, as well as from insufficient care, non-conventional use, effects of freezing, calcium deposits, or attempted repair from unauthorized personnel, are not covered by our guarantee. Parts subject to wear and tear, like light bulbs for example, are not covered by this guarantee. A more precise definition of parts subject to wear and tear is included in the operating instructions, which are part of this guarantee. The legal rights of the purchaser, particularly arising from the guarantee, continue in effect and are not limited by this guarantee.

**Liability** In case of negligence, our liability is limited to the immediate, average foreseeable damage typical to the contract, according to the product type. This applies as well for negligence on the part of our legal representatives or fulfillment partners. This limitation of liability does not apply for customer claims arising from product liability. In addition, this liability limitation applies for unforeseeable injury to life and health of the customer or loss of life of the customer.

**Repairs / replacement** We manufacture using only quality materials. However if, in spite of our efforts, the customer should have a legitimate claim, then we will decide at our discretion about the type of fulfillment through no-charge rectification, for example repair or replacement of defective parts, or shipment of a new unit. Should we decide for repair, then the guarantee protection only covers repairs carried out by a repair organization authorized by us.

**Validity** If we fulfill the guarantee claim by spare part delivery, or repair, or shipment of a new unit, then this does not cause a restart of the guarantee period. Claims arising from this guarantee are only valid with submission of the sales receipt to us:  
OASE GmbH, Tecklenburgerstr. 161 in 48477 Hörstel, Germany. The device or parts in question must be returned to us along with your purchase receipt and written information describing the claimed defect.

**Liefer- und Leistungsbedingungen der Firma OASE GmbH  
Für Wiederverkäufer (Stand: 01.01.2010)**

**I. Angebot, Vertragsschluss u. -inhalt**

1. Für unsere Lieferungen und Leistungen gelten vorrangig und mangels abweichender Vereinbarung unsere nachstehenden AGB. Entgegenstehenden Bedingungen des Bestellers widersprechen wir. Unsere AGB gelten auch bei zukünftigen Geschäftsbeziehungen ohne erneute ausdrückliche Bezugnahme.
2. Unsere Angebote sind freibleibend. Die Bestellung des Bestellers ist verbindlich. Ein Vertrag kommt erst mit unserer schriftlichen Auftragsbestätigung zustande, die wir binnen 2 Wochen seit Eingang der Bestellung zu erklären haben. Zusicherungen, Nebenabreden u. Änderungen des Vertrages bedürfen zu ihrer Wirksamkeit gleichfalls stets unserer schriftlichen Bestätigung.
3. Als Beschaffenheit der Ware gilt grundsätzlich nur unsere Produktbeschreibung als vereinbart. Anpreisungen oder Werbungen stellen daneben keine vertragsgemäße Beschaffenheitsangabe der Ware dar. Die in Prospekten, Katalogen und Werbeanzeigen enthaltenen Angaben begründen keine Eigenschaftszusicherungen und Garantien im Rechtssinne erhält der Besteller durch uns nicht, es sei denn, wir geben ausdrücklich eine Garantieerklärung ab.
4. Richtige und rechtzeitige Selbstlieferung bleibt vorbehalten. Wir werden den Besteller unverzüglich über die Nichtverfügbarkeit einer Lieferung informieren und im Falle des Rücktritts die entsprechende Gegenleistung dem Besteller unverzüglich erstatten.

**II. Preise u. Zahlungsbedingungen**

1. Unsere Preise verstehen sich in € ab Werk zzgl. etwaiger Montagekosten sowie zusätzlich der jeweils geltenden gesetzlichen Mehrwertsteuer.
2. Wir sind berechtigt, die Listenpreise nach Abschluss des Kaufvertrages zu erhöhen, wenn sich die Preise für Material und / oder Lohn / Gehalt in der Zeit zwischen Vertragsabschluss und Lieferung erhöhen und zwischen Bestellung und Lieferabruf ein Zeitraum von mehr als 4 Monaten liegt.
3. Mangels abweichender Vereinbarung sind unsere Rechnungen in vollem Umfang bei Lieferung bzw. Abnahme sofort ohne jeden Abzug netto Kasse zahlbar und fällig. Gewähr OASE Skontofristen, so sind diese Fristen mit dem Rechnungsdatum beginnend. Das Eingangsdatum der Rechnung beim Besteller ist hiervon unabhängig.
4. Der Besteller kommt mangels Zahlung ohne weitere Erklärung unsererseits 10 Tage nach dem Fälligkeitstag in Verzug.
5. Im Falle des Vorhandenseins von Mängeln steht dem Besteller ein Zurückbehaltungsrecht nicht zu, es sei denn, die Lieferung ist offensichtlich mangelhaft bzw. dem Besteller steht offensichtlich ein Recht zur Verweigerung der Abnahme der Arbeiten zu. In diesen Fällen ist der Besteller nur zur Zurückhaltung berechtigt, soweit der einbehaltene Betrag im angemessenen Verhältnis zu den Mängeln und den voraussichtlichen einfachen Kosten der Nacherfüllung vorrangig durch Reparatur steht. Der Besteller ist nicht befugt, Ansprüche und Rechte wegen Mängeln geltend zu machen, wenn er fällige Zahlungen nicht geleistet hat und der fällige Betrag einschl. geleisteter Zahlungen in einem angemessenen Verhältnis zu dem Wert der mit Mängeln behafteten Lieferung bzw. Arbeiten steht.
6. Der Besteller kann nur mit solchen Forderungen aufrechnen, die unbestritten oder rechtskräftig festgestellt sind.

**III. Lieferzeit/Lieferverzögerung**

1. Angaben zu Lieferzeiten sind unverbindlich. Die Einhaltung der Lieferfrist setzt die Erfüllung der Vertragspflichten des Bestellers voraus. Lieferfristen beginnen frühestens mit Vertragsschluss, nicht jedoch vor vollständiger Beibringung aller vom Besteller zu beschaffenden Unterlagen, Freigaben, technischer Klärungen, etc. Nachträgliche Änderungs- o. Ergänzungswünsche des Bestellers verlängern die Lieferzeit angemessen. Die Frist ist eingehalten, wenn bis zu ihrem Ablauf der Liefergegenstand unser Werk verlassen hat oder die Versandbereitschaft mitgeteilt ist, wenn die Ware ohne unser Verschulden nicht rechtzeitig abgesendet wird. Bei Eintritt unvorhergesehener Ereignisse und/oder höherer Gewalt verlängert sich eine Lieferfrist gleichfalls angemessen.
2. Im Falle von uns zu vertretenden Lieferverzügen kann der Besteller uns nach einer schriftlichen Mahnung eine angemessene weitere Frist mit dem Hinweis setzen, dass er die Annahme des Vertragsgegenstandes nach Ablauf der Frist ablehnt. Erst nach fruchtlosem Ablauf der weiteren Frist und aller sonstigen gesetzlichen Voraussetzungen ist der Besteller berechtigt, durch schriftliche Erklärung vom Vertrag zurückzutreten. Schadenersatz wegen Nichterfüllung kann der Besteller im Falle des Rücktritts daneben nicht verlangen. Im Übrigen gelten die Bestimmungen von Ziffer VI Nr. 9.

**IV. Gefahrübergang und Entgegennahme**

1. Die Gefahr geht mit der Absendung der Lieferteile auf den Besteller über, und zwar auch dann, wenn Teillieferungen erfolgen oder wenn wir auch andere Leistungen, z. B. die Versendung und ihre Kosten oder die Montage übernommen haben. Teillieferungen und Teilleistungen dürfen wir bewirken, soweit für den Kunden zumutbar.
2. Verzögert sich der Versand infolge von Umständen, die der Besteller zu vertreten hat, geht die Gefahr vom Tage der Versandbereitschaft ab auf ihn über. Wir sind befugt, die Ware im Annahmeverzugsfalle auf Gefahr und Kosten des Bestellers an diesen zu versenden, alternativ auf seine Kosten und Gefahr einzulagern.
3. Angelieferte Gegenstände sind, auch wenn sie unwesentliche Mängel aufweisen, vom Besteller unbeschadet der Rechte aus Ziffer VI entgegenzunehmen.

**V. Eigentumsvorbehalt**

1. Wir behalten uns das Eigentum an dem Liefergegenstand bis zum Eingang aller Zahlungen aus der Geschäftsverbindung mit dem Besteller vor; der Vorbehalt bezieht sich auf den anerkannten Saldo.
2. Wird die Kaufsache mit anderen, uns nicht gehörenden Gegenständen verbunden, erwerben wir das Miteigentum an der neuen Sache im Verhältnis des Wertes der Kaufsache zu den verbundenen Gegenständen zum Zeitpunkt der Verbindung. Erfolgt die Verbindung in der Weise, dass die Sache des Bestellers als Hauptsache anzusehen ist, gilt als vereinbart, dass der Besteller uns anteilig Miteigentum überträgt. Er verwarht das so entstandene Allein- oder Miteigentum für uns. Der Besteller tritt uns auch die Forderungen zur Sicherung unserer Forderungen gegen ihn ab, die durch die Verbindung der Kaufsache mit einer Sache und/oder einem Gegenstand gegen einen Dritten in Höhe unseres Verkaufserlöses erwachsen oder durch Weiterveräußerung in dieser Höhe entstehen, wobei diese nur im ordnungsgemäßen Geschäftsverkehr erlaubt ist. Zur anderen Verfügung über die Vorbehaltsware, insbesondere zur Sicherungsübereignung und/oder Verpfändung ist der Besteller nicht befugt.
3. Wir sind befugt, die Forderung selbst einzuziehen, wenn der Besteller seinen Zahlungsverpflichtungen nicht nachkommt. In diesem Fall hat der Besteller uns die zur Geltendmachung unserer Rechte gegen die Kunden des Bestellers erforderlichen Auskünfte zu erteilen und alle erforderlichen Unterlagen auszuhandigen.
4. Auf Wunsch des Bestellers geben wir nach unserer Wahl einen entsprechenden Teil der Sicherungsrechte frei, wenn der realisierbare Wert dieser Rechte die Höhe aller uns zustehenden Ansprüche um mehr als 10 % übersteigt.
5. Bei Pflichtverletzungen des Bestellers, insbesondere Zahlungsverzug, sind wir ohne Fristsetzung berechtigt, die Herausgabe des Liefergegenstandes zu verlangen. Das Herausgabeverlangen der Neuware ist ausdrücklich ohne entsprechenden Hinweis keine Rücktrittserklärung.

**VI. Mängelrügen und Haftung für Mängel**

1. Jede unserer Lieferungen ist, wenn der Besteller Unternehmer ist, sofort auf Vollständigkeit und Mangelfreiheit zu kontrollieren. Offensichtliche und bei ordnungsgemäßer Untersuchung erkennbare Mängel hat der Besteller unverzüglich nach Ablieferung schriftlich anzuzeigen. Jeden festgestellten Mangel muss der Unternehmer unverzüglich schriftlich anzeigen. Die Mitteilung muss eine genaue Fehlerbeschreibung enthalten. Der Besteller ist verpflichtet, bei Abholung oder Anlieferung den Zustand der Ware selbst oder durch Bevollmächtigte Dritte quittieren zu lassen. Eine Minderlieferung begründet ebensowenig einen Mangel, wie eine Falschlieferung, wir sind vielmehr zur Nachlieferung nach Aufforderung berechtigt.
2. Ist die Ware aus einem Liefergeschäft mangelhaft, leisten wir nach unserer Wahl Gewähr durch Nachbesserung oder Ersatzlieferung. Die Ansprüche des Bestellers wegen eines Mangels der Kaufsache sind zunächst auf Nacherfüllung beschränkt. Schlägt diese nach wenigstens zwei Versuchen endgültig fehl, ist dem Besteller das Recht vorbehalten, zu mindern, oder wenn der Mangel erheblich ist, vom Vertrag zurückzutreten.
3. Mängelansprüche bestehen nicht bei nur unerheblicher Abweichung einer vereinbarten Beschaffenheit oder bei nur unerheblicher Beeinträchtigung der Brauchbarkeit.
4. Wählt der Besteller wegen eines Sachmangels einer Lieferung nach gescheiterter Nacherfüllung den Rücktritt vom Vertrag, steht ihm daneben ein Schadenersatzanspruch nicht zu. Wählt der Besteller nach gescheiterter Nacherfüllung Schadenersatz, verbleibt die Ware beim Besteller, wenn ihm dies zuzumuten ist. Der Ersatz beschränkt sich auf die Differenz zwischen Kaufpreis und Wert der mangelhaften Sache. Dies gilt nicht, wenn wir die Vertragsverletzung vorsätzlich oder grob fahrlässig verursacht haben.
5. Zur Vornahme aller uns nach billigem Ermessen notwendig erscheinender Ausbesserungen und Ersatzlieferungen hat der Besteller uns nach Absprache die erforderliche Zeit und Gelegenheit zu geben, andernfalls sind wir von der Mängelhaftung frei. Nur wenn wir mit der Beseitigung des Mangels im Verzuge sind, hat der Besteller nach einer Mahnung und weiteren angemessenen Fristsetzung mit Ablehnungsandrohung das Recht, den Mangel selbst oder durch Dritte beseitigen zu lassen und von uns angemessenen Kostenersatz zu verlangen.
6. Die Verjährungsfrist für Ansprüche und Rechte wegen Mängeln – gleich aus welchem Rechtsgrund – beträgt 1 Jahr, gleich ob bei Lieferung oder Montage / Werkvertrag. Diese Frist gilt auch für sonstige Schadenersatzansprüche des Bestellers unabhängig von deren Rechtsgrundlage, es sei denn, uns trifft Vorsatz oder eine Garantieverletzung bzw. bei arglistigem Verschweigen von Mängeln bzw. bei Ansprüchen nach dem Produkthaftungsgesetz und bei schuldhafter Verletzung wesentlicher Vertragspflichten.
7. Eine Mängelrüge hemmt die Verjährung der Gewährleistungsansprüche ausdrücklich nicht, wenn wir nach Überprüfung der Mängelursachen feststellen, dass wir für den Mangel nicht verantwortlich sind.
8. Wir haften nicht für Schäden, die durch ungeeignete oder unsachgemäße Verwendung, für fehlerhafte Behandlung durch den Besteller oder Dritte, natürliche Abnutzung oder nachlässige Behandlung, ungeeignete Reinigung und Pflege, chemische u. o. mechanische Einflüsse etc. entstehen, sofern diese nicht auf unser Verschulden zurückzuführen sind.
9. Sollte in Folge einer Mängelrüge des Bestellers OASE bei der Überprüfung des reklamierten Produktes feststellen, dass der Mangel nicht von OASE zu vertreten, sondern die Folge eines Bedienungsfehlers oder unsachgemäßer Handhabung ist bzw. seitens des Bestellers zu vertreten ist, ist OASE berechtigt, dem Besteller eine Servicepauschale von 19,90 € zzgl. Mehrwertsteuer zzgl. Versandkosten für den entstandenen Arbeitsaufwand pro Produkt zu berechnen.
10. Bei leicht fahrlässigen Pflichtverletzungen ist die Haftung ausgeschlossen. Im Falle grober Pflichtverletzung ist unsere Haftung auf den vertragstypischen, vorhersehbaren Schaden begrenzt, gleichermaßen bei Verletzung wesentlicher Vertragspflichten. Im Übrigen haften wir nach dem Produkthaftungsgesetz, wegen der Verletzung des Lebens, des Körpers oder der Gesundheit oder wegen der schuldhaften Verletzung wesentlicher Vertragspflichten. Rückgriffsrechte nach § 478 BGB bleiben unberührt.
11. Die Regelungen der vorgenannten Nr. 9 gelten für alle Schadenersatzansprüche und zwar gleich aus welchem Rechtsgrunde, insbesondere wegen Mängeln, der Verletzung von Pflichten aus dem Schuldverhältnis oder unerlaubter Handlung.

**VII. Warenrückgabebedingungen**

- Unabhängig von den unter Ziffer VI geregelten Ansprüchen bei Vorliegen von Mängeln, nimmt OASE mangelfrei gelieferte Waren nur im Einzelfall und nach vorheriger, schriftlicher Genehmigung vor der Rücksendung zurück, wobei Rücknahmen von Produkten mit einem Bestellwert von unter 100,00 € aus wirtschaftlichen Gründen grundsätzlich ausgeschlossen sind. Voraussetzung für den Abschluss einer Rücksendevereinbarung ist in jedem Fall, dass die zurückzugebenden Produkte in einwandfreiem Zustand inkl. deren Verpackung sind und dem aktuellen Katalogprogramm entsprechen. Sollte eine Rücksendevereinbarung zustande kommen, ist der Besteller verpflichtet, eine Kopie der Rechnung, eine Kopie des Lieferscheins und den Retourschein der Rücksendung beizufügen. Der Besteller trägt das Transportrisiko der Rücksendung. Rücksendungen dürfen nicht unfrei sein, andernfalls ist OASE berechtigt, die Annahme zu verweigern. Für den gesamten anfallenden Bearbeitungs- und Verwaltungsaufwand, sowie das Risiko der Weiterveräußerung der retournierten Produkte, bringt OASE 30% vom fakturierten Warennettoertrag in Abzug.

**VIII. Haftung für Nebenpflichten**

1. Unsere anwendungstechnische Beratung in Wort und Schrift, sowie Vorschläge, Berechnungen, Zeichnungen, Projektierungen sollen dem Besteller lediglich die bestmögliche Verwendung unserer Produkte erläutern, sie sind nur annähernd ermittelt und unverbindlich. Sie befreien ihn nicht von seiner Verpflichtung, sich durch eigene Prüfung von der Eignung unserer Produkte für den von ihm beabsichtigten Zweck zu überzeugen.
2. Kann durch schuldhaftes Verletzung der uns obliegenden Nebenpflichten auch vor Vertragsabschluss, z. B. durch unterlassene oder fehlerhafte Beratung oder falsche Anleitung der Vertragsgegenstand nicht vertragsgemäß verwendet werden, so gelten für unsere Haftung unter Ausschluss weiterer Ansprüche des Bestellers die Regelung unter Ziffer VI. Nr. 5 - 8 entsprechend.

**IX. Muster, Zeichnungen**

- An Mustern, Zeichnungen und anderen Unterlagen behalten wir uns das Eigentum und Urheberrecht vor. Sie dürfen unbefugten Dritten nicht zugänglich gemacht und müssen uns auf unser Verlangen hin zurückgegeben werden.

**X. Erfüllungsort, anwendbares Recht, Gerichtsstand**

1. Erfüllungsort für alle Lieferungen und Zahlungen ist der Sitz unserer Firma in Hörstel.
2. Es gilt ausschließlich deutsches Recht. Die Anwendbarkeit des einheitlichen UN-Kaufrechtes (CISG) wird ausgeschlossen.
3. Der Gerichtsstand liegt ausschließlich beim Amtsgericht Ibbenbüren bzw. Landgericht Münster, wenn der Besteller Vorkaufmann, eine juristische Person des öffentlichen Rechts oder ein öffentlich-rechtliches Sondervermögen ist.

**XI. Salvatorische Klausel**

- Sollte eine der vorbenannten Bestimmungen unwirksam sein oder werden, berührt das die Wirksamkeit der Bestimmungen im übrigen ausdrücklich nicht.

**General Terms and Conditions of OASE GmbH**  
For stockists (Version: 01.01.2010)

**I. Quotation, conclusion of contract & content**

Our general terms and conditions as set forth below, shall apply with priority for our goods and services, in the absence of an agreement to the contrary. Purchaser's conditions contradicting such terms and conditions shall not apply. Our general terms and conditions also apply for future business relationships, without express subsequent reference.

2. Our quotations are subject to alteration. Purchaser's purchase orders shall be binding. A contract shall only come into effect with our written order confirmation, which we shall be obligated to declare within two weeks after receipt of the purchase order. Assurances, oral agreements, and changes to the contract shall require our written confirmation to become effective.
3. Our product description as agreed shall apply as the exclusive condition of goods. Recommendations or advertising shall not additionally constitute any contractual qualities of the goods. The information contained in brochures, catalogues, and advertisements does not constitute any assurance of attributes, and the purchaser obtains no legal guarantees from OASE GmbH, unless we expressly issue a declaration of guarantee.
4. Full and timely order execution shall be subject to availability of supplies. We shall inform purchaser without delay if a product is not available, and will refund the appropriate amount to purchaser without delay in the event of cancellation.

**II. Prices and terms of payment**

1. Our prices are ex works in €, plus possible installation costs, as well as applicable VAT.
2. We shall be authorised to increase list prices after conclusion of the purchase contract, if the prices for material and/or wages/salaries increase in the period between conclusion of the contract and delivery, or if there is a period of more than four months between purchase order and delivery schedule.
3. In the absence of an agreement to the contrary our invoices shall be due and payable in full, net cash, without discount of any kind at delivery or acceptance. If OASE grants a cash discount in the payment terms, these terms are valid from the date of the invoice. The date of the customer's reception of the invoice does not have any impact.
4. Without further declaration on our part purchaser shall be deemed to be in arrears if payment has not been received 10 days after the due date.
5. If defects are present purchaser shall not be entitled to withhold payment unless the delivery is clearly defective, or unless purchaser clearly has a right to refuse acceptance of the work. In these cases purchaser shall only be authorised to withhold payment if the amount withheld is in an appropriate relationship to the defects and to the presumable costs of supplemental performance, primarily through repair. Purchaser shall not be authorised to legally assert claims and rights due to defects, if purchaser has not honoured his payment obligations that are due, and if the amount due, including any payments made, is in an appropriate relationship to the value of the delivery or work that exhibits defects.
6. The purchaser shall only offset with such receivables that are undisputed or that are legally enforceable.

**III. Delivery time/delayed delivery**

1. Information relative to delivery times is nonbinding. The prerequisite for compliance with the delivery period shall be fulfilment of purchaser's contractual obligations. Delivery periods shall start when the contract is concluded at the earliest, however delivery periods shall not start not unless there is complete provision of documents, releases, technical clarifications, etc. that purchaser is obligated to provide. Retroactive requests for modification or supplementation extend the delivery period accordingly. The period is deemed to be complied with if the delivery item has left our plant by the date on which the delivery period expires, or if we have communicated our readiness to ship, should the goods not be sent at the proper through no fault of OASE GmbH. Likewise a delivery period shall be appropriately extended if unforeseen events or force majeure occurs.
2. If there is a delay in delivery for which we are responsible, then after a written reminder, purchaser can specify an additional appropriate period, with the statement that purchaser shall refuse acceptance of the object of the contract upon expiration of said period. Purchaser shall be authorised to withdraw from the contract by providing written declaration only after fruitless expiration of the subsequent period, and all other legal requirements. If purchaser withdraws from the contract, then purchaser shall have no right to demand damages for non-fulfilment. In all other regards the provisions set forth in number Roman numeral VI no. 9 shall apply.

**IV. Transfer of risk and acceptance**

1. Risk is transferred to purchaser when the delivery items are sent, even in the case of partial shipments, or if we have taken responsibility for other performances, such as the shipment and its costs, or installation. We shall be authorised to make partial shipments and partial performances that the customer can be reasonably expected to accept.
2. If shipment is delayed due to circumstances for which purchaser is responsible, then the risk shall be transferred to purchaser from the day OASE GmbH is ready to ship. We shall be authorised to send the goods to purchaser if purchaser delays acceptance; or alternatively to store the goods at purchaser's costs and risk.
3. Delivered objects shall be accepted by purchaser, even if they exhibit insignificant defects, without prejudice to the rights set forth in Roman numeral VI.

**V. Retention of title**

1. We shall retain title to the delivery item until all payments arising from the business relationship with purchaser have been received; retention of title is based on the recognised balance.
2. If the object of sale is combined with other objects that do not belong to us, then we shall acquire joint ownership to the new object in the ratio of the object of sale's value to the value of the associated objects at the time they were combined. If said objects are combined in such a manner that purchaser's object of purchase is deemed to be the main object, then it is agreed that purchaser shall transfer proportional joint ownership to OASE GmbH. Purchaser shall preserve the sole or joint ownership that thus arises for us. Purchaser shall also transfer to OASE GmbH the receivables from a third party, to which purchaser is entitled due to the combination of the object of sale with an item and/or an object, in the amount of our sales proceeds, or that occurs through resale in this amount; however this shall only be permitted in the proper course of business. Purchaser shall not be authorised to otherwise dispose of the reserved goods, particularly for transfer of title for security, and/or pledge.
3. We shall be authorised to collect said receivable ourselves if purchaser does not honour his payment obligations. In this case purchaser shall be obligated to provide to us the information necessary to legally assert our rights against purchaser's customer, and to provide us with all required documents.
4. On purchaser's request at our discretion we shall release an appropriate portion of the security interest, if the realisable value of such interest shall exceed the amount of all claims to which we are entitled by more than 10%.
5. If purchaser violates obligations arising from this contract, particularly if purchaser is in arrears, then we shall be authorised to demand return of the delivery object. The demand to deliver up the new goods shall not constitute a declaration of withdrawal without appropriate notification.

**VI. Notification of defect and liability for defects**

1. If purchaser is an entrepreneur, each of our deliveries shall be checked immediately for completeness and freedom from defects. After delivery purchaser shall report apparent defects, and defects that are apparent after proper examination, in writing, without delay. The entrepreneur must report each defect detected in writing without delay. The written report must contain a precise description of the defect. When picking up the goods, or when the goods are delivered purchaser shall be obligated to acknowledge the condition of the goods himself, or to have the condition of the goods acknowledged by an authorised third party. A short delivery shall not constitute a defect, nor shall an incorrect delivery constitute a defect; in these cases we are authorised to make an additional delivery, if requested.
2. If the goods are defective due to a delivery transaction, then we shall be authorised to either replace or repair at our discretion. In the first instance purchaser's claims due to a defect in the object of sale are limited to supplementary performance. If after two attempts supplementary performance proves to be conclusively unsuccessful, then purchaser shall have the right to withhold payment, to reduce payment, or if the defect is significant, to withdraw from the contract.
3. Claims of defect do not exist in the case of insignificant deviation from an agreed quality, or for insignificant impairment of usability.
4. If purchaser elects to withdraw from the contract after failed supplemental performance due to material defect of a delivery, then purchaser shall not be entitled to additional claims for damages. If after failed supplemental performance, purchaser elects to claim damages, then the goods shall remain with the purchaser if this is acceptable to purchaser. Replacement shall be limited to the difference between purchase price and the value of the defective item. This shall not apply if OASE GmbH willfully or through gross negligence caused the violation of the contractual obligation.
5. Purchaser shall be obligated to provide OASE GmbH with the required time and opportunity to undertake all repairs and replacements deemed necessary after coordination; otherwise OASE GmbH shall be released from liability for the defect. Only if we are in arrears in correcting the defect shall purchaser have the right, after a reminder and specifying an additional appropriate period, to correct the defect himself, or have said defect corrected by a third party, and to demand reimbursement of appropriate costs from us.
6. The limitation period for claims and rights due to defects - regardless of legal grounds - shall be 1 year, whether for delivery or installation / contract for work and labour. This period shall also apply for other claims for damages on the part of purchaser, regardless of legal basis, except in the case of intent, guarantee violation, or malicious concealment of defects, or in the case of claims in accordance with the German Product Liability Act, and for culpable violation of essential contract obligations on the part of OASE GmbH.
7. Notification of defect shall not expressly restrict the period of limitation for guarantee claims if after verifying the causes of the defect, we determine that we are not responsible for the defect.
8. We shall not be held liable for damage that is due to unsuitable or improper use, for incorrect handling on the part of purchaser or a third party, or damage that occurs through natural wear or negligent treatment, unsuitable cleaning and care, chemical and/or mechanical influence, for which we are not at fault.
9. If consequent to a notification of defect on the part of the ordering party OASE should determine when checking the goods that are the object of the notification of defect that the defect is not the responsibility of OASE, but rather that the defect is due to an operating error or improper handling for which the ordering party is responsible, then OASE shall be authorised to bill the ordering party a flat rate service charge of 19.90 € plus VAT, plus shipping costs per product for the work load incurred.
10. Liability shall be excluded in the case of negligent violation of contractual obligations. In the case of gross negligence our liability shall be limited to the damage that is contractually anticipated, this provision applies in equal measure for violation of essential contractual obligations. In all other regards we shall be liable in accordance with the German Product Liability Act for injury to life, body or health, or due to culpable violation of essential contractual obligations. Right of recourse in accordance with Article 478 of the German Civil Code shall remain unaffected.
11. The provisions set forth in no. 9 above shall apply for all claims for damages, regardless of legal grounds, particularly in the case of defects, violation of obligations arising from the relationship of obligation, or non-permitted action.

**VII. Conditions governing the return of goods**

- Regardless of the claims regulated in number VI, if defects are present OASE shall take back defect-free delivered goods only on a case-by-case basis, and after prior written approval has been issued before the return shipment; take-back of products with an order value of under 100.00 € shall always be excluded for economic reasons.
- The prerequisite for concluding a send back agreement in every case shall be that the goods that will be returned are in perfect faultless condition, including the packaging of said goods, and that said goods correspond to the current product line as shown in the catalogue.
- If a send back agreement should be concluded, then the ordering party shall be obligated to include a copy of the invoice, a copy of the delivery ticket, and the return authorisation, with the return shipment. The ordering party shall bear the transport risk for the return shipment. Return shipments should not be sent freight collect, otherwise OASE shall be authorised to refuse acceptance of the return shipment.
- For the entire handling and administration expenses, as well as the risk of reselling the returned products OASE will deduct 30% from the invoiced net value of the goods.

**VIII. Liability for secondary obligations**

1. Our technical application advice as well as recommendations, calculations, drawings, and project planning merely illustrate the best possible use of our products, they are provided as approximations only, and are non-binding. They do not release purchaser from his obligation to verify for himself that our products are suitable for purchasers intended purpose.
2. If the contractual object cannot be used as stipulated in the contract due to culpable violation of secondary obligations to which we are obligated, even prior to conclusion of contract; for example due to omitted or incorrect consulting, or incorrect instructions, then under exclusion of additional claims on the part of purchaser, the provision set forth under Roman numeral VI no. 5 - 8 shall apply accordingly for our liability.

**IX. Samples, drawings**

We shall reserve the title and copyright to samples, drawings, and other documents. They shall not be made available to unauthorized third parties and must be returned to us on request.

**X. Place of fulfilment, applicable law, legal venue**

1. Place of performance for all deliveries and payments shall be the company's headquarters in Hörste.
2. German law shall apply exclusively. The uniform law on the international sale of goods (CISG) shall not apply.
3. Exclusive legal venue shall be the Ibbenbüren District Court or Münster Regional Court, if the purchaser is a merchant who has been entered in the Commercial Registry, a public sector corporation, or an investment fund (under German investment law).

**XI. Severability clause**

Invalidation of any one of the provisions in this contract shall not affect the validity of the other provisions.

# ALPHABETISCHE PRODUKTÜBERSICHT / ALPHABETICAL PRODUCT OVERVIEW

Artikelnr. / Item no.	Produkt / Product	Seite Page	Artikelnr. / Item no.	Produkt / Product	Seite Page
50183	AirFlo 1,5 kW / 230 V	131	57093	AquaMax Gravity Eco 20000	58
50184	AirFlo 1,5 kW / 400 V	131	50532	AquaOxy 240	126
50185	AirFlo 4,0 kW / 400 V	131	56387	AquaOxy 400	127
50571	AquaActiv Wasseranalyse Profi-Set	149	37125	AquaOxy CWS 1000	127
50571	AquaActiv Water analysis Profi-Set	149	57350	AquaOxy CWS 2000	127
57479	AquaAir 250	130	50464	AquaOxy CWS 400	127
54286	AquaMax 10000	37	50398	AquaOxy CWS 4800	128
56574	AquaMax 12000	38	57399	Aquarius 1000 Start	26
54287	AquaMax 15000	37	57400	Aquarius 1500 Start	26
56656	AquaMax 16000	38	57401	Aquarius 2500 Start	26
56013	AquaMax 2000	34	57402	Aquarius 3500 Start	26
57380	AquaMax 2000	34	57399	Aquarius Fountain Set 1000	26
54932	AquaMax 3500	37	56332	Aquarius Fountain Set 12000	27
57381	AquaMax 3500	37	57400	Aquarius Fountain Set 1500	26
56571	AquaMax 4000	38	57401	Aquarius Fountain Set 2500	26
54285	AquaMax 5500	37	57402	Aquarius Fountain Set 3500	26
57382	AquaMax 5500	37	56315	Aquarius Fountain Set 4000	27
56572	AquaMax 6000	38	56319	Aquarius Fountain Set 6000	27
57383	AquaMax 8500	37	56323	Aquarius Fountain Set 8000	27
50068	AquaMax Dry 14000	52	56889	Aquarius Solar 1500	30
50393	AquaMax Dry 6000	52	56888	Aquarius Solar 700	30
50066	AquaMax Dry 8000	52	36950	Aquarius Universal 1000	21
57358	AquaMax Eco 12000	44	56879	Aquarius Universal 12000	22
57361	AquaMax Eco 16000	44	36951	Aquarius Universal 1500	21
50071	AquaMax Eco 3500	35	36953	Aquarius Universal 2000	21
57107	AquaMax Eco 4000	44	56870	Aquarius Universal 21000	25
50072	AquaMax Eco 5500	35	56871	Aquarius Universal 27000	25
57108	AquaMax Eco 6000	44	56611	Aquarius Universal 3000	22
57363	AquaMax Eco 6000 12 V	51	56614	Aquarius Universal 4000	22
57109	AquaMax Eco 8000	44	56872	Aquarius Universal 40000	25
50073	AquaMax Eco 8500	35	36726	Aquarius Universal 440	20
50302	AquaMax Eco CWS 4000	46	36673	Aquarius Universal 440i	20
50303	AquaMax Eco CWS 6000	46	56617	Aquarius Universal 5000	22
50304	AquaMax Eco CWS 8000	46	36975	Aquarius Universal 600	21
50742	AquaMax Eco Premium 12000	42	56637	Aquarius Universal 6000	22
50382	AquaMax Eco Premium 12000 / 12 V	49	56876	Aquarius Universal 9000	22
50745	AquaMax Eco Premium 16000	42	57390	Aquarius Universal Eco 3000	24
50734	AquaMax Eco Premium 4000	40	57392	Aquarius Universal Eco 4000	24
50736	AquaMax Eco Premium 6000	40	56907	AquaSkim 40	136
50730	AquaMax Eco Premium 6000 / 12 V	47	56890	Atlantis Solar 28	31
50740	AquaMax Eco Premium 8000	40	50455	BioPress Set 10000	63
57352	AquaMax Eco R 4000	44	57386	BioPress Set 12000	65
57354	AquaMax Eco R 6000	44	50499	BioPress Set 4000	62
57356	AquaMax Eco R 8000	44	50453	BioPress Set 6000	63
50708	AquaMax Eco Twin 20000	53	57385	BioPress Set 8000	65
50710	AquaMax Eco Twin 30000	53	56641	BioSmart 30000	75
56873	AquaMax Expert 20000	56	50451	BioSmart Set 14000	73
56874	AquaMax Expert 30000	56	50531	BioSmart Set 20000	75
56875	AquaMax Expert 40000	56	50587	BioSmart Set 30000	75
57091	AquaMax Gravity Eco 10000	58	50525	BioSmart Set 5000	71
57092	AquaMax Gravity Eco 15000	58	50449	BioSmart Set 7000	71

Artikelnr. / Item no.	Produkt / Product	Seite Page
57377	BioSmart UVC 16000	73
57375	BioSmart UVC 8000	71
55420	BioSys Skimmer	137
57137	BioSys Skimmer +	138
56641	BioTec 10.1	75
56580	BioTec 12	86
56372	BioTec 18	86
55421	BioTec 30	82
56374	BioTec 36	88
56640	BioTec 5.1	84
57127	BioTec ScreenMatic 12	90
57128	BioTec ScreenMatic 18	90
57129	BioTec ScreenMatic 36	92
56364	Bitron C 11 W	122
56902	Bitron C 110 W	123
56356	Bitron C 18 W	123
56620	Bitron C 24 W	123
56368	Bitron C 36 W	123
56624	Bitron C 55 W	123
56901	Bitron C 72 W	123
56360	Bitron C 9 W	122
50946	Bitron Gravity 55 W	125
50798	Edelstahl-Bachlaufschale 90° Ecke	7
50781	Edelstahl-Bachlaufschale Gerade	7
50809	Edelstahl-Bachlaufschale Leuchtelement	7
50800	Edelstahl-Bachlaufschale Start/End	7
50801	Edelstahl-Bachlaufschale Verbindung	7
15329	Ersatzpumpe FP 1500	59
13745	Ersatzpumpe FP 2500	59
13742	Ersatzpumpe FP 3500	59
55999	FiltoClear 11000	66
56824	FiltoClear 15000	66
50576	FiltoClear 20000	68
55997	FiltoClear 3000	66
50577	FiltoClear 30000	68
55998	FiltoClear 6000	66
50230	FiltoMatic CWS 12000	77
50910	FiltoMatic CWS 14000	77
50925	FiltoMatic CWS 25000	77
50228	FiltoMatic CWS 3000	77
50229	FiltoMatic CWS 6000	77
50906	FiltoMatic CWS 7000	77
57135	FiltoSkim 12000	142
50446	Filtral UVC 2500	60
57379	Filtral UVC 5000	61
56534	IceFree 20	148
55454	InScenio 12 V	166
55433	InScenio 230	166
54978	InScenio FM-Master 1	166
36310	InScenio FM-Master 2	166
36311	InScenio FM-Master 3	166

Artikelnr. / Item no.	Produkt / Product	Seite Page
56886	InScenio FM-Profimaster	166
50053	JumpingJet Rainbow Star Add-on Set	18
50053	JumpingJet Rainbow Star Erweiterungsset	18
50052	JumpingJet Rainbow Star Set	18
57140	Luminis 3	164
50114	LunaLed 6s	8
50115	LunaLed 9s	8
50407	LunaLed Creative Set	9
54034	LunAqua 10	156
50366	LunAqua 10 LED /01	160
52177	LunAqua 2	151
54993	LunAqua 2 / 12 V	151
52038	LunAqua 2 Set 1	151
52039	LunAqua 2 Set 2	151
56004	LunAqua 2002 / 20	159
56903	LunAqua 3 Set 1	153
56904	LunAqua 3 Set 2	153
56905	LunAqua 3 Set 3	153
54314	LunAqua 35 Set	156
57076	LunAqua 5.1	154
50527	LunAqua Classic LED Set 1	162
50530	LunAqua Classic LED Set 3	162
50507	LunAqua Maxi LED Set 1	165
50508	LunAqua Maxi LED Set 3	165
50509	LunAqua Maxi LED Solo	165
50593	LunAqua Micro Set	150
53055	LunAqua Mini	150
50512	LunAqua Mini LED	163
50513	LunAqua Mini LED warm	163
56894	LunAqua Solar	168
51043	LunAqua Terra LED Set 3	161
50729	LunAqua Terra LED Set 6	161
56307	Nautilus 110	29
56311	Nautilus 150	29
56315	Nautilus 200	27
56319	Nautilus 250	27
56323	Nautilus 350	27
56327	Nautilus 400	27
56332	Nautilus 450	27
56299	Nautilus 50	29
56303	Nautilus 80	29
56889	Nautilus Solar 140	30
56888	Nautilus Solar 70	30
36950	Neptun 1000 - 10 m	21
56879	Neptun 12000 - 10 m	22
36951	Neptun 1500 - 10 m	21
36953	Neptun 2000 - 10 m	21
36725	Neptun 300	20
36665	Neptun 300 - 1,5 m	20
56611	Neptun 3000	22
56614	Neptun 4000 - 10 m	22

# ALPHABETISCHE PRODUKTÜBERSICHT / ALPHABETICAL PRODUCT OVERVIEW

Artikelnr. / Item no.	Produkt / Product	Seite Page	Artikelnr. / Item no.	Produkt / Product	Seite Page
36673	Neptun 440 - 1,5 m	20	56872	Profinaut 40	25
36726	Neptun 440 - 10 m	20	57134	ProfiSkim 100	139
56617	Neptun 5000 - 10 m	22	55441	Promax 20000	55
36975	Neptun 600 - 10 m	21	55442	Promax 30000	55
56637	Neptun 6000 - 10 m	22	54992	Skimmer	141
56876	Neptun 9000 - 10 m	22	57480	Skimmer 250	140
57390	Neptun Eco 3000	24	56895	SolarSafe 17	167
57392	Neptun Eco 4000	24	56896	SolarSafe 41	167
57091	Optimax 10000	58	15329	Spare pump FP 1500	59
57092	Optimax 15000	58	13745	Spare pump FP 2500	59
57093	Optimax 20000	58	13742	Spare pump FP 3500	59
50290	OxyTex CWS 1000	129	50798	Stainless steel watercourse 90° curve	7
50443	OxyTex CWS 400	129	50801	Stainless steel watercourse connection	7
53777	PondJet	32	50809	Stainless steel watercourse illumination	7
57075	PondJet	32	50800	Stainless steel watercourse start/end	7
37102	PondoVac 3	145	50781	Stainless steel watercourse straight	7
50388	PondoVac 4	146	57384	SwimSkim 25	134
50529	PondoVac Classic	144	50170	SwimSkim CWS	135
50079	Profi Fischkescher	147	57288	UWS K 300	157
50079	Profi Fish net	147	57370	Vitronic 11 W	120
50078	Profi Pond net	147	57371	Vitronic 18 W	121
50078	Profi Teichkescher	147	57372	Vitronic 36 W	121
51064	ProfiClear Classic coarse debris extrac.	96	57373	Vitronic 55 W	121
51065	ProfiClear Classic filter foam module	98	50191	Water Jet Lightning	16
51065	ProfiClear Classic Filterschaummodul	98	50187	Water Quintet	13
51064	ProfiClear Classic Grobschmutzabscheider	96	50394	Water Quintet Creative	15
51066	ProfiClear Classic Phosphatbinder Modul	100	50214	Water Starlet	10
51066	ProfiClear Classic phosphate binder mod.	100	50240	Water Trio	11
51061	ProfiClear Classic pump chamber	94	50704	Waterfall 30	6
51061	ProfiClear Classic Pumpenkammer	94	50585	Waterfall 60	6
56897	ProfiClear M 1 Pump chamber	102	50706	Waterfall 90	6
56897	ProfiClear M 1 Pumpenkammer	102	50584	Waterfall Set 30	6
37108	ProfiClear M 2 Coarse debris extractor	104			
37108	ProfiClear M 2 Grobschmutzabscheider	104			
37107	ProfiClear M 3 Filter foam module	106			
37107	ProfiClear M 3 Filterschaummodul	106			
37144	ProfiClear M 4 Bioballs filter module	108			
37144	ProfiClear M 4 Bioballs Filtermodul	108			
37109	ProfiClear M 5 Phosphatbinder Modul	110			
37109	ProfiClear M 5 Phosphate binder module	110			
50771	ProfiClear Premium Individual Module	116			
50771	ProfiClear Premium Individualmodul	116			
50772	ProfiClear Premium Moving Bed Modul	112			
50772	ProfiClear Premium Moving Bed Module	112			
57094	ProfiClear Screendrive	133			
56898	ProfiLux 100 E	155			
56873	Profimax 20000	56			
56874	Profimax 30000	56			
56875	Profimax 40000	56			
56870	Profinaut 21	25			
56871	Profinaut 27	25			



# PRODUKTÜBERSICHT NACH ARTIKELNR. / PRODUCT OVERVIEW BY ITEM NO.

Artikelnr. / Item no.	Produkt / Product	Seite Page	Artikelnr. / Item no.	Produkt / Product	Seite Page
13742	Ersatzpumpe FP 3500	59	50407	LunaLed Creative Set	9
13745	Ersatzpumpe FP 2500	59	50443	OxyTex CWS 400	129
15329	Ersatzpumpe FP 1500	59	50446	Filtral UVC 2500	60
36310	InScenio FM-Master 2	166	50449	BioSmart Set 7000	71
36311	InScenio FM-Master 3	166	50451	BioSmart Set 14000	73
36665	Neptun 300-1,5	20	50453	BioPress Set 6000	63
36673	Aquarius Universal 440i	20	50455	BioPress Set 10000	63
36725	Neptun 300	20	50464	AquaOxy CWS 400	127
36726	Aquarius Universal 440	20	50499	BioPress Set 4000	62
36950	Aquarius Universal 1000	21	50507	LunAqua Maxi LED Set 1	165
36951	Aquarius Universal 1500	21	50508	LunAqua Maxi LED Set 3	165
36953	Aquarius Universal 2000	21	50509	LunAqua Maxi LED Solo	165
36975	Aquarius Universal 600	21	50512	LunAqua Mini LED	163
37102	PondoVac 3	145	50513	LunAqua Mini LED warm	163
37107	ProfiClear M 3 Filterschaummodul	106	50525	BioSmart Set 5000	71
37108	ProfiClear M 2 Grobschmutzabscheider	104	50527	LunAqua Classic LED Set 1	162
37109	ProfiClear M 5 Phosphatbinder Modul	110	50529	PondoVac Classic	144
37125	AquaOxy CWS 1000	127	50530	LunAqua Classic LED Set 3	162
37144	ProfiClear M 4 Bioballs Filtermodul	108	50531	BioSmart Set 20000	75
50052	JumpingJet Rainbow Star Set	18	50532	AquaOxy 240	126
50053	JumpingJet Rainbow Star Erweiterungsset	18	50571	AquaActiv Wasseranalyse Profi-Set	149
50066	AquaMax Dry 8000	52	50576	FiltoClear 20000	68
50068	AquaMax Dry 14000	52	50577	FiltoClear 30000	68
50071	AquaMax Eco 3500	35	50584	Waterfall Set 30	6
50072	AquaMax Eco 5500	35	50585	Waterfall 60	6
50073	AquaMax Eco 8500	35	50587	BioSmart Set 30000	75
50078	Profi Teichkescher	147	50593	LunAqua Micro Set	150
50079	Profi Fischkescher	147	50704	Waterfall 30	6
50114	LunaLed 6s	8	50706	Waterfall 90	6
50115	LunaLed 9s	8	50708	AquaMax Eco Twin 20000	53
50170	SwimSkim CWS	135	50710	AquaMax Eco Twin 30000	53
50183	AirFlo 1,5 kW / 230 V	131	50729	LunAqua Terra LED Set 6	161
50184	AirFlo 1,5 kW / 400 V	131	50730	AquaMax Eco Premium 6000 / 12 V	47
50185	AirFlo 4,0 kW / 400 V	131	50734	AquaMax Eco Premium 4000	40
50187	Water Quintet	13	50736	AquaMax Eco Premium 6000	40
50191	Water Jet Lightning	16	50740	AquaMax Eco Premium 8000	40
50214	Water Starlet	10	50742	AquaMax Eco Premium 12000	42
50228	FiltoMatic CWS 3000	77	50745	AquaMax Eco Premium 16000	42
50229	FiltoMatic CWS 6000	77	50771	ProfiClear Premium Individualmodul	116
50230	FiltoMatic CWS 12000	77	50772	ProfiClear Premium Moving Bed Modul	112
50240	Water Trio	11	50781	Edelstahl-Bachlaufschale Gerade	7
50290	OxyTex CWS 1000	129	50798	Edelstahl-Bachlaufschale 90° Ecke	7
50302	AquaMax Eco CWS 4000	46	50800	Edelstahl-Bachlaufschale Start/End	7
50303	AquaMax Eco CWS 6000	46	50801	Edelstahl-Bachlaufschale Verbindung	7
50304	AquaMax Eco CWS 8000	46	50809	Edelstahl-Bachlaufschale Leuchtelement	7
50366	LunAqua 10 LED /01	160	50906	FiltoMatic CWS 7000	77
50382	AquaMax Eco Premium 12000 / 12 V	49	50910	FiltoMatic CWS 14000	77
50388	PondoVac 4	146	50925	FiltoMatic CWS 25000	77
50393	AquaMax Dry 6000	52	50946	Bitron Gravity 55 W	125
50394	Water Quintet Creative	15	51043	LunAqua Terra LED Set 3	161
50398	AquaOxy CWS 4800	128	51061	ProfiClear Classic Pumpenkammer	94

# PRODUKTÜBERSICHT NACH ARTIKELNR. / PRODUCT OVERVIEW BY ITEM NO.

Artikelnr. / Item no.	Produkt / Product	Seite Page	Artikelnr. / Item no.	Produkt / Product	Seite Page
51064	ProfiClear Classic Grobschmutzabscheider	96	56617	Aquarius Universal 5000	22
51065	ProfiClear Classic Filterschaummodul	98	56620	Bitron C 24 W	123
51066	ProfiClear Classic Phosphatbinder Modul	100	56624	Bitron C 55 W	123
52038	LunAqua 2 Set 1	151	56637	Aquarius Universal 6000	22
52039	LunAqua 2 Set 2	151	56640	BioTec 5.1	84
52177	LunAqua 2	151	56641	BioSmart 30000	75
53055	LunAqua Mini	150	56656	AquaMax 16000	38
53777	PondJet	32	56824	FiltoClear 15000	66
54034	LunAqua 10	156	56870	Aquarius Universal 21000	25
54285	AquaMax 5500	37	56871	Aquarius Universal 27000	25
54286	AquaMax 10000	37	56872	Aquarius Universal 40000	25
54287	AquaMax 15000	37	56873	AquaMax Expert 20000	56
54314	LunAqua 35 Set	156	56874	AquaMax Expert 30000	56
54932	AquaMax 3500	37	56875	AquaMax Expert 40000	56
54978	InScenio FM-Master 1	166	56876	Aquarius Universal 9000	22
54992	Skimmer	141	56879	Aquarius Universal 12000	22
54993	LunAqua 2 / 12 V	151	56886	InScenio FM-Profimaster	166
55420	BioSys Skimmer	137	56888	Aquarius Solar 700	30
55421	BioTec 30	82	56889	Aquarius Solar 1500	30
55433	InScenio 230	166	56890	Atlantis Solar 28	31
55441	Promax 20000	55	56894	LunAqua Solar	168
55442	Promax 30000	55	56895	SolarSafe 17	167
55454	InScenio 12 V	166	56896	SolarSafe 41	167
55997	FiltoClear 3000	66	56897	ProfiClear M 1 Pumpenkammer	102
55998	FiltoClear 6000	66	56898	ProfiLux 100 E	155
55999	FiltoClear 11000	66	56901	Bitron C 72 W	123
56004	LunAqua 2002 / 20	159	56902	Bitron C 110 W	123
56013	AquaMax 2000	34	56903	LunAqua 3 Set 1	153
56299	Nautilus 50	29	56904	LunAqua 3 Set 2	153
56303	Nautilus 80	29	56905	LunAqua 3 Set 3	153
56307	Nautilus 110	29	56907	AquaSkim 40	136
56311	Nautilus 150	29	57075	PondJet	32
56315	Aquarius Fountain Set 4000	27	57076	LunAqua 5.1	154
56319	Aquarius Fountain Set 6000	27	57091	AquaMax Gravity Eco 10000	58
56323	Aquarius Fountain Set 8000	27	57092	AquaMax Gravity Eco 15000	58
56327	Nautilus 400	27	57093	AquaMax Gravity Eco 20000	58
56332	Aquarius Fountain Set 12000	27	57094	ProfiClear Screendrive	133
56356	Bitron C 18 W	123	57107	AquaMax Eco 4000	44
56360	Bitron C 9 W	122	57108	AquaMax Eco 6000	44
56364	Bitron C 11 W	122	57109	AquaMax Eco 8000	44
56368	Bitron C 36 W	123	57127	BioTec ScreenMatic 12	90
56372	BioTec 18	86	57128	BioTec ScreenMatic 18	90
56374	BioTec 36	88	57129	BioTec ScreenMatic 36	92
56387	AquaOxy 400	127	57134	ProfiSkim 100	139
56534	IceFree 20	148	57135	FiltoSkim 12000	142
56571	AquaMax 4000	38	57137	BioSys Skimmer +	138
56572	AquaMax 6000	38	57140	Luminis 3	164
56574	AquaMax 12000	38	57288	UWS K 300	157
56580	BioTec 12	86	57350	AquaOxy CWS 2000	127
56611	Neptun 3000	22	57352	AquaMax Eco R 4000	44
56614	Aquarius Universal 4000	22	57354	AquaMax Eco R 6000	44



# NOTIZEN / NOTES

WISSENSWERTES / WORTH KNOWING

NOTIZEN / NOTES

